

| | |
|------------|----------------|
| MODEL NAME | CENTRAL PIN(X) |
|------------|----------------|

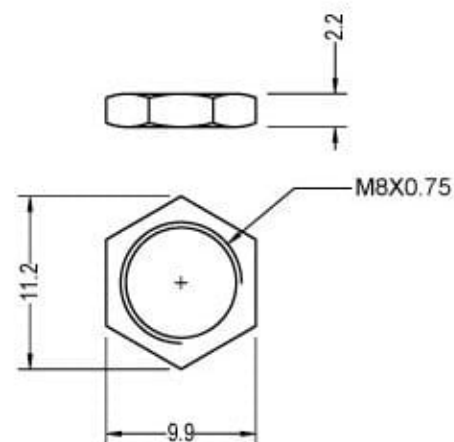
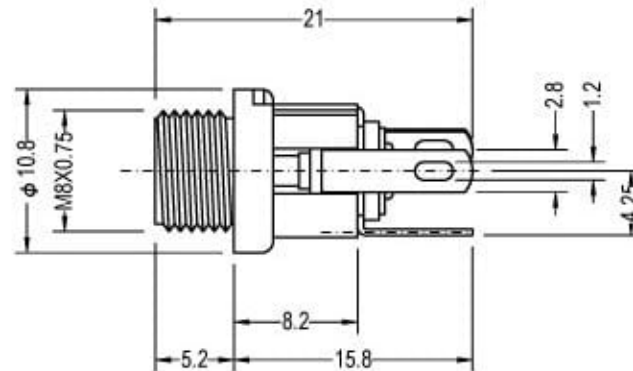
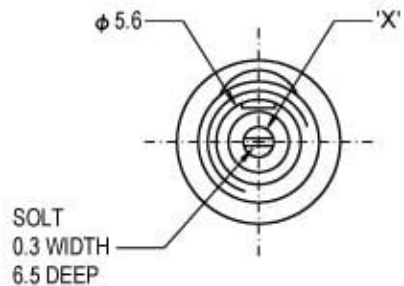
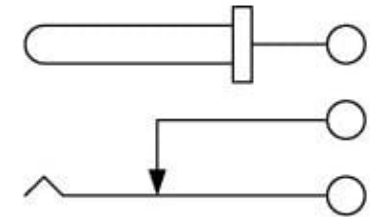
MJ179 CHASSIS ϕ 2.0mm(WITH SLOT)

MJ180 CHASSIS ϕ 2.5mm(WITH SLOT)

General specifications

| | |
|---------------------|----------------------------|
| Rating | : D.C. 30V 0.3A |
| Contact R.[max] | 16V 2A |
| Insulation R.[min] | : D.C. 5V 1A 100m Ω |
| Withstand VOL. | : D.C. 500V 100M Ω |
| Connection force | : A.C. 500V 1minute |
| disconnection force | : 0.3 - 3Kgf |
| Life cycle[max] | : 0.3 - 1.5Kgf |
| | : 5,000 CYCLES |

SCHEMATIC



MATERIAL SPECIFICATIONS

| ITEM | PART NAME | MATERIAL | QTY | FINISH |
|------|-----------------|-------------|-----|--------------------------|
| 1 | PLUG PIN | BRASS | 1 | Ni PLATED |
| 2 | SOCKET | BRASS | 1 | Ni PLATED |
| 3 | WASHER | HARD PAPER | 2 | RED |
| 4 | CASE | POM | 1 | BLACK |
| 5 | SPRING TERMINAL | PBS STRIP | 1 | Ag PLATED OVER Ni PLATED |
| 6 | TERMINAL | BRASS STRIP | 1 | Ag PLATED OVER Ni PLATED |
| 7 | TERMINAL | BRASS STRIP | 1 | Ag PLATED OVER Ni PLATED |

COMMUNICA
A World Of Electronics

比例 SCALE 1 : 2

單位 DIMENSION mm

DO NOT SCALE DRAWING
TOLERANCES UNLESS OTHERWISE

UP TO 10 ± 0.3

ABOVE 10 TO 100 ± 0.5

ABOVE 100 ± 0.8

ANGULAR DIMENSIONS $\pm 5^\circ$

品名 TITLE

D.C. POWER JACK

型號 MODEL

MJ179 CHASSIS / MJ180 CHASSIS

繪圖
DRAWN

HSH

核准
APPROVED

HSH



版次
REVISION

A

日期
DATE

2009/02/10