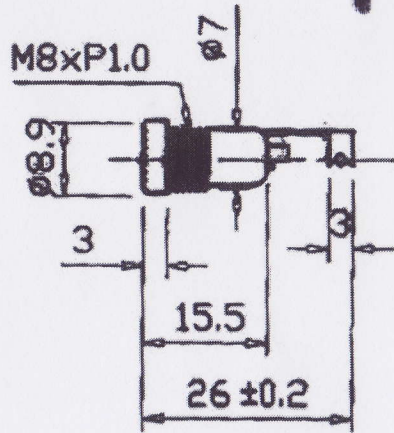
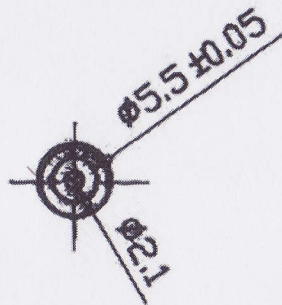
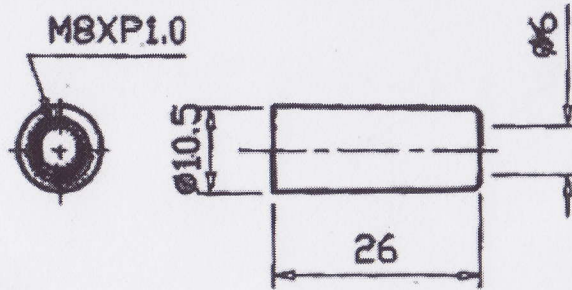


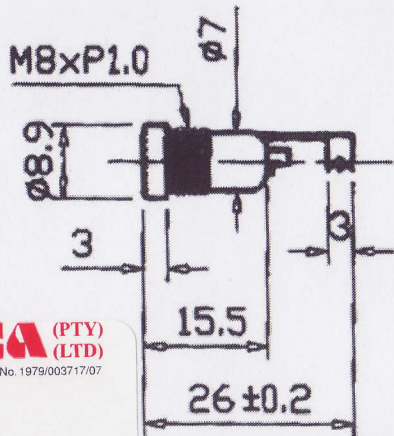
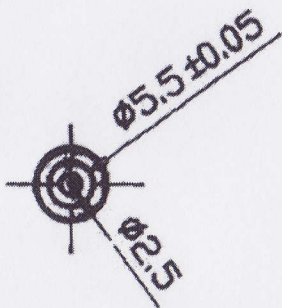
MJ077N



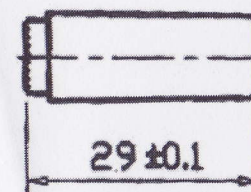
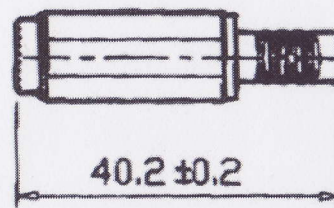
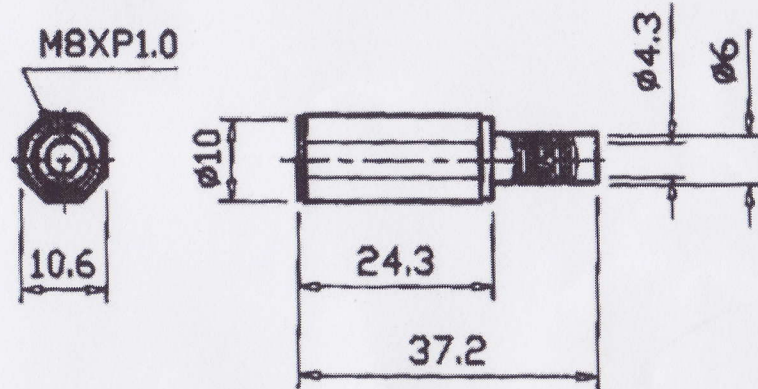
K36724A



MJ078N



K36724B



COMMUNICA (PTY) (LTD)
A WORLD OF ELECTRONICS Reg. No. 1979/003717/07

■ HEAD OFFICE
Tel (012) 657-3500
Fax (012) 657-3550

E-Mail: sales@communicaco.za
Web: www.communicaco.za

■ PRETORIA
Tel (012) 328-7008
Fax (012) 328-7018

■ CAPE TOWN
Tel (021) 447-0948
Fax (021) 447-0959

Co., Ltd.

UNIT	mm	SCALE	1:1	TITLE	DATE	ITEM	DRAWER
					88/05/14		