

AZL STEPPER MOTOR 4 PHASE 12V
28BYJ-48 High Quality Stepper Motor 12V



Description :

Mainly used in Air Conditioner Louver , Small Cooling/Heating Fan etc., Stable and all technic parameters are qualified for national electronic standard of SJ/T10689-95.

Electronic Parameters :

Rated Voltage : 12 VDC

Number of Phase : 4

Moderating Ratio : 1/64

Step Angle : 5.625°/64

Frequency : 100Hz

DC resistance : 200Ω±7% (25°C)

Idle In-traction Frequency : ≥500 (PPS)

Idle Out-traction Frequency : ≥900 (PPS)

Detent Torque : ≥29.4mN.m

Pull-in Torque : ≥34.3mN.m

Insulated resistance : ≥10MΩ (500V)

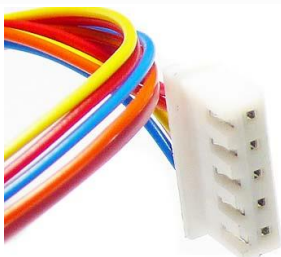
Insulated electricity power : 600 VAC/1mA/1s

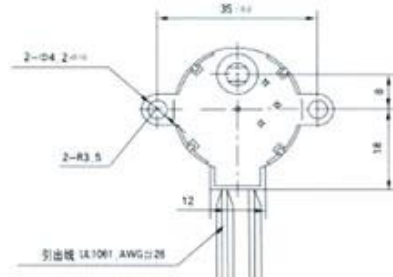
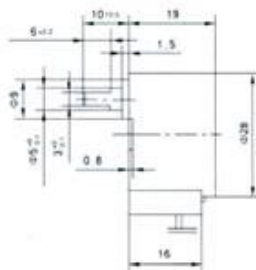
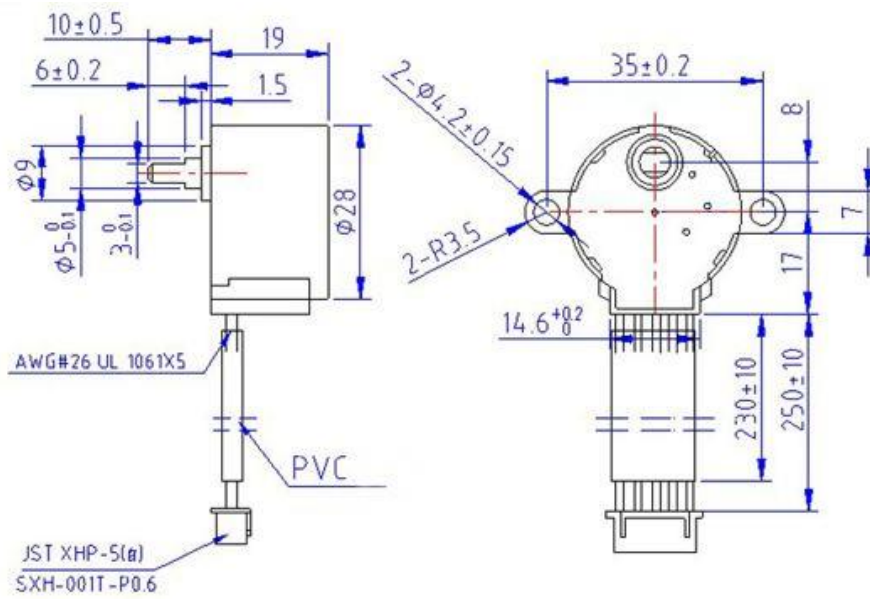
Insulation grade : A

Rise in Temperature : ≤40K (120Hz)

Noise : ≤40dB (120Hz, No load, 10cm)

Model : 28BYJ-48





Model	Rated Voltage (DCV)	Resistance Ω /Phase (at 25°C)	Max. Freeload Full-in Frequency (FPS)	Max. Freeload Full-out Frequency (FPS)	Full-in Torque (mN.m)	Operation Frequency (FPS)	Detent Torque (mN.m)	Temperature Rise (K)	Noise (dB)	Step Angle (1-2phase)	Insulation Class
28BYJ48	5	60	≥ 500	≥ 900	≥ 29.4	100	≥ 29.4	≤ 40	≤ 35	5.625° /64	E
28BYJ48	12	130	≥ 500	≥ 900	≥ 44.1	100	≥ 29.4	≤ 40	≤ 35	5.625° /64	E
28BYJ48	12	200	≥ 500	≥ 900	≥ 34.3	100	≥ 29.4	≤ 40	≤ 35	5.625° /64	E
28BYJ48	12	250	≥ 500	≥ 900	≥ 34.3	100	≥ 29.4	≤ 40	≤ 35	5.625° /64	E
28BYJ48	12	300	≥ 500	≥ 900	≥ 34.3	100	≥ 29.4	≤ 40	≤ 35	5.625° /64	E
28BYJ48	12	320	≥ 500	≥ 900	≥ 29.4	100	≥ 29.4	≤ 40	≤ 35	5.625° /64	E
28BYJ48	12	380	≥ 500	≥ 900	≥ 29.4	100	≥ 29.4	≤ 40	≤ 35	5.625° /64	E

Wiring Diagram :

