

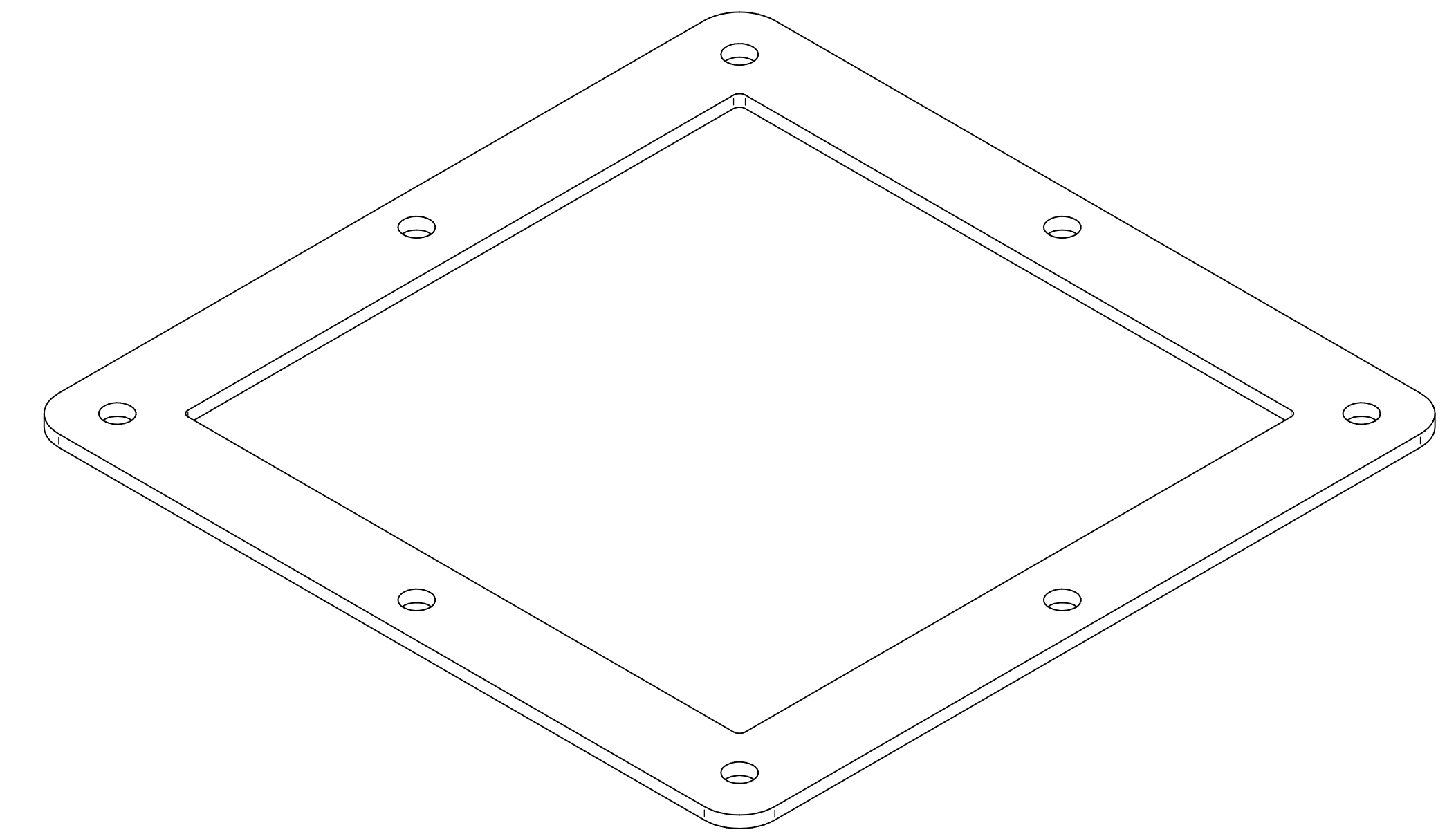
PART No. 1487DKSS

for more information visit

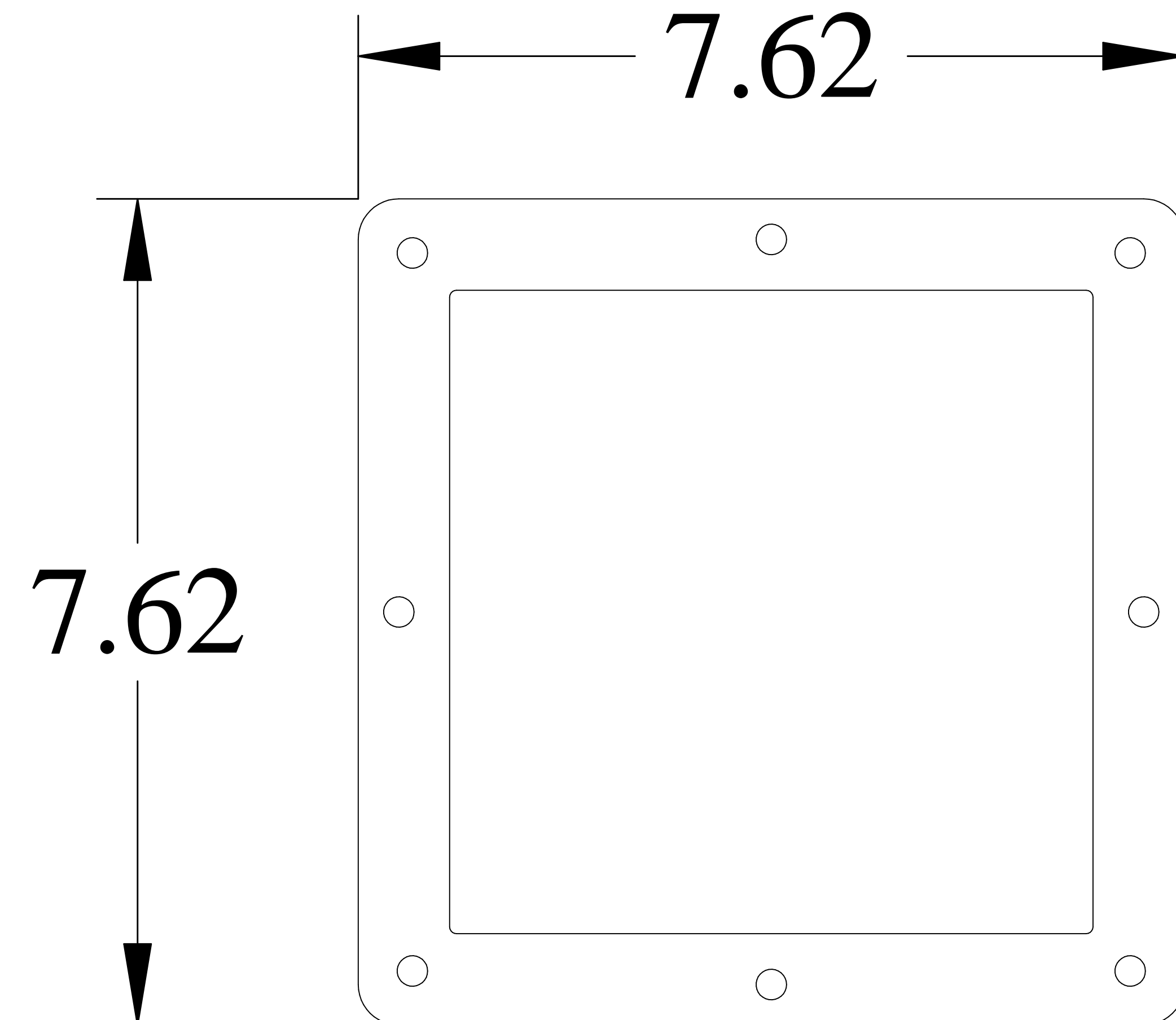
www.hammondmfg.com

Data subject to change without notice

Isometric drawing Not to Scale



ISOMETRIC VIEW



FRONT VIEW