

INTELLIGENT INDUSTRIAL SIGNAL LIGHTS



O30 SERIES



RYG



M12



+55

-25



24V
DC

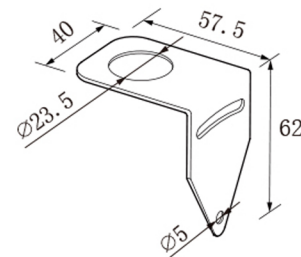
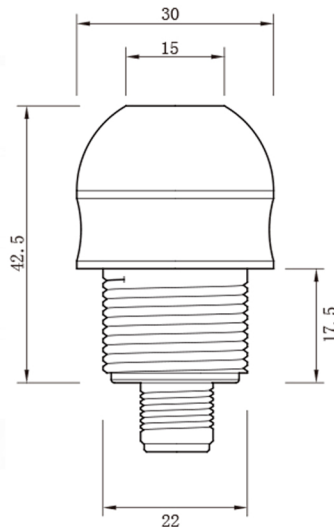


life
50000h

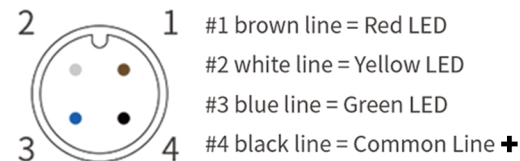


360°

DIMENSIONS



CONTROL CIRCUIT DIAGRAM



CLX-O30-BN-RYG-FL50

Cable

CLX-O30-BN-RYG-M12

M12 connector