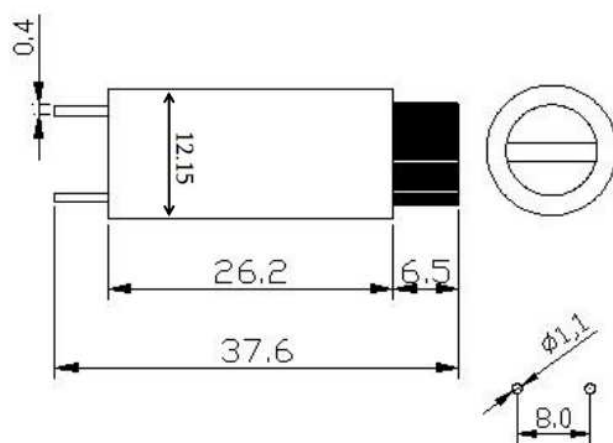


| | |
|-----------------------|-------------------|
| 型號 | PF9 |
| Model No. | |
| 規格 | 10A 250V AC |
| Rating | |
| 結緣電阻 | DC 500V 100MΩ Min |
| Insulation resistance | |
| 耐電壓 | AC 1500V 1 minute |
| Voltage breakdown | |
| 保險絲規格 | Φ5 X 20 mm |
| Fuse size | |



1. 10A 250V AC
2. Ø5.2x20mm
3. Bayonet type cap
4. PC Board mount terminal
5. Phenolic resin