

## Multitector

### Features

- Plug-and-Play concept
- High surge capability
- Fire hazard protection
- All 8 data lines protected (RJ45)

Protects fast ethernet LAN equipment such as hubs, switches and network interface cards from induced lightning and electrostatic discharge.

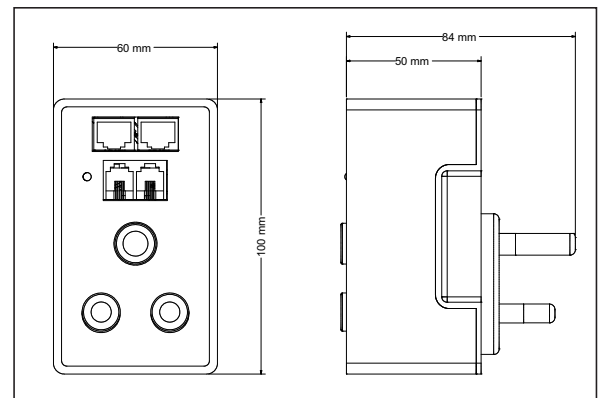
Supports the compliment of 100 & 1000 Base-T configurations:  
100Base-Tx, 100Base-T4 and 100Base-VG.  
Backwards compatible to 10Base-T



The unit simply gets plugged into the wall socket and the equipment plugs directly into the unit. Clearline protects your equipment against lightning and surges without additional earthing. The protection is capable of blocking severe lightning and power surges. The unit incorporates a fast overload device which will be activated in extreme conditions. Clearline's unique built-in thermal protection technology has been included to eliminate fire hazards.

Specifications		
<b>Power Module</b>		
Nom. input voltage	230VAC 50Hz	
Max. load current (Thermal Overload protected)	16A	
Max. discharge current at 8/20	2.5kA L-N, L-E, N,E	
Response Time	<25ns	
Indication LED	Power on & Earth connected	
Standards compliance	IEC 99.4, ANSI C62.42	
<b>Modem Module</b>		
Operating Voltage	220V DC	
Max. discharge current at L-L	20kA	
Residual voltage at Ismax L-L	100V (typ)	
Max. discharge current at L-E	10kA	
Residual voltage at Ismax L-E	100V (typ)	
Data speed	10Mbits/s	
Data connector	RJ 11	
No. of wires	2	
<b>Network Module</b>		
Clamping voltage	<5V(1.2/50)	
Max. discharge current (Fine protection)	40A (8/20)	
Max. discharge current (coarse protection)	2kA (8/20)	
Pairs protected	1-2, 3-6, 4-5, 7-8	
Data rate	>200Mbits/s	
Bandwidth	>350MHz	
Standards compliance	Fast ethernet 802.3u; IEC 11801 and IEEE 802.3	
<b>Test frequencies in MHz</b>	100	250
NEXT (Limits as per IEC 802.3)	<39.9	<33.1
Return loss (Limits as per IEC 802.3)	<10.2	< 8.0
Attenuation (Limits as per IEC 802.3)	<20.8	<33.8

### Dimensions



### Supplied with:

- 1 x 1m x RJ 45 Cable Cat5e
- 1 x 2m x RJ 11 Cable

### Designed and Manufactured by:

#### Clearline Protection Systems (Pty) Ltd

Roan Crescent Corporate Park North, Old Pta Road, Midrand, South Africa  
 P.O. Box 5985, Halfway House, 1685  
 Tel: +27 (0) 11 848-1111  
 Fax: +27 (0) 11 314-3880  
 E-mail: sales@clearline.co.za  
 www.clearline.co.za

