

## ISDN Protection

### Features

- Fully graded protection
- Compact design
- High discharge current capability
- Easy installation

An in-line protection device for use with modems, digital communicators, alarm panels, cordless phones and other E1 line equipment.



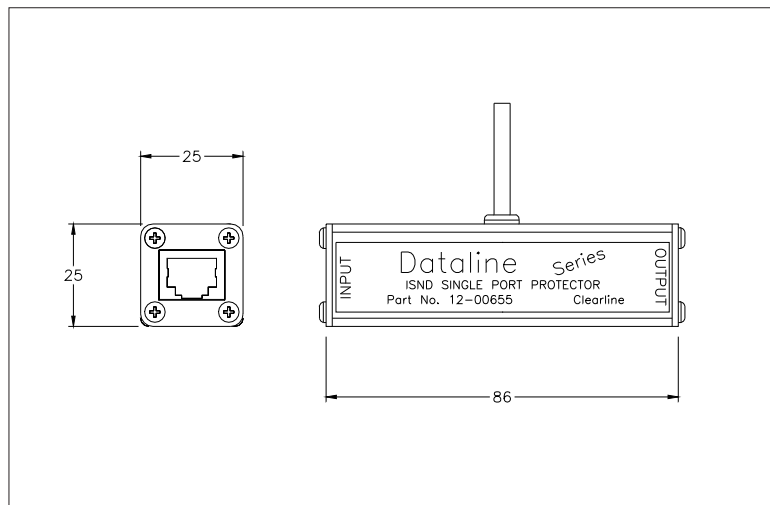
\*Specifications subject to change without prior notice due to continuous improvements

### Specifications

#### ISDN Surge Protection

No of pairs	2 (4wire - 1,2,4,5)
Input connector	RJ45
Output connector	RJ45
Max operating voltage	6V dc
Max discharge current (Differential mode)	10kA
Max discharge current (Common mode)	10kA
Residual voltage (Differential mode)	Approx. 10V
Residual voltage (Common mode)	Approx. 100V
Data speed	2Mbits/120Ω
Temperature range	-20°C to +70°C

### Dimensions



#### Designed and Manufactured by:

**Clearline Protection Systems (Pty) Ltd**

385 Roan Crescent Corporate Park North, Old Pta Road,

Midrand, South Africa

P.O. Box 5985, Halfway House, 1685

Tel: +27 (0) 11 848-1100

Fax: +27 (0) 11 314-3880

E-mail: info@clearline.co.za