

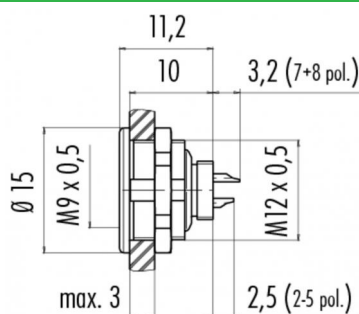
Product description **M9 IP67 female panel mount connector, Contacts: 4, shieldable, solder, IP67**

Area **M9 IP67**
Order number **09 0412 00 04**

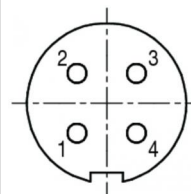
Illustration



Scale drawing



Contact arrangement



| | X | Y |
|---|-------|-------|
| 1 | -1,10 | -1,10 |
| 2 | -1,10 | 1,10 |
| 3 | 1,10 | 1,10 |
| 4 | 1,10 | -1,10 |

You can find the assembly instructions on the next page.

Technical data

General values

| | |
|--------------------------|------------------------------|
| Connector design | female panel mount connector |
| Connector locking system | bolted |
| Termination | solder |
| Wire gauge (mm) | 0.25 mm ² |
| Wire gauge (AWG) | 24 |
| Upper limit temperature | 85 °C |
| Lower limit temperature | -40 °C |
| Customs tariff number | 85369010 |

Electrical values

| | |
|---------------------------|----------------------|
| Rated current (40 °C) | 3 A |
| Rated voltage | 125 V |
| Rated impulse voltage | 1500 V |
| Pollution degree | 1 |
| Overvoltage category | II |
| Insulating material group | III |
| Volume resistivity | ≤ 3 mΩ |
| Insulation resistance | ≥ 10 ¹⁰ Ω |
| EMC compliance | shieldable |
| Degree of protection | IP67 |
| Mechanical operation | > 500 Mating cycles |

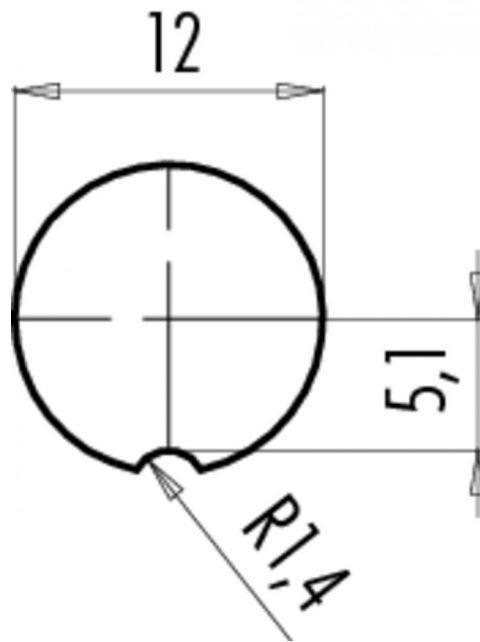
Material

| | |
|-----------------------|----------------|
| Contact material | CuSn (bronze) |
| Contact plating | Au (gold) |
| Contact body material | PA (UL 94 V-0) |

Product description **M9 IP67 female panel mount connector, Contacts: 4, shieldable, solder, IP67**

Area **M9 IP67**
Order number **09 0412 00 04**

Assembly instructions / Panel cut-out



| | |
|---------------------|--|
| Product description | M9 IP67 female panel mount connector, Contacts: 4, shieldable, solder, IP67 |
| Area | M9 IP67 |
| Order number | 09 0412 00 04 |

Security notices

The connector must not be connected or separated under load. Non-observance and incorrect use can result in personal injury.

The connectors are designed for use in plant, control system and electrical equipment. The end user is responsible for checking whether the connectors are suitable for use in other applications.

Connectors with degree of protection IP 67 and IP 68 are not suitable for use under water. When used outdoors, the connectors must be separately protected against corrosion. For further information about IP degrees of protection refer to 'Technical support' in the Download Centre.