

Wireless GSM Intercom 1000



- Easy to use online management website
- Calls directly to your fixed line or cellphone
- 10 000 programmable users
- 'Missed-call' and 'please-call-me' access control
- Main and pedestrian gate outputs
- Access control and usage reports by email
- Advanced audio DSP
- Backlight keypad
- Marine grade stainless steel
- No more lost or stolen remote controls!
- Security screws

Specifications

Power Supply

- Power: 12Vdc at 500mA
- Average Power Consumption: 400mA at 12Vdc

2 X Relay Outputs

- Max Current: 5Amp
- Max Voltage: 230Vac
- Type: N/O COM

Physical Dimensions

- Length = 262mm
- Width = 190mm
- Height = 55mm
- Weight = 2.0 kg (without Rainshied)
- Weight = 3.1 kg (with Rainshield)

Antenna

- Supplied with device
- External SMA Connector

Notes

Sim card

- Use any pre-paid or contract sim.
- Disable the sim card's pin number before installing it into the GSM Intercom.
- If a pin code is required use 2356.
- Ensure that there is normal airtime available on the sim.
- Check the airtime by sending the following sms to the device **1234.airtime**

Antenna

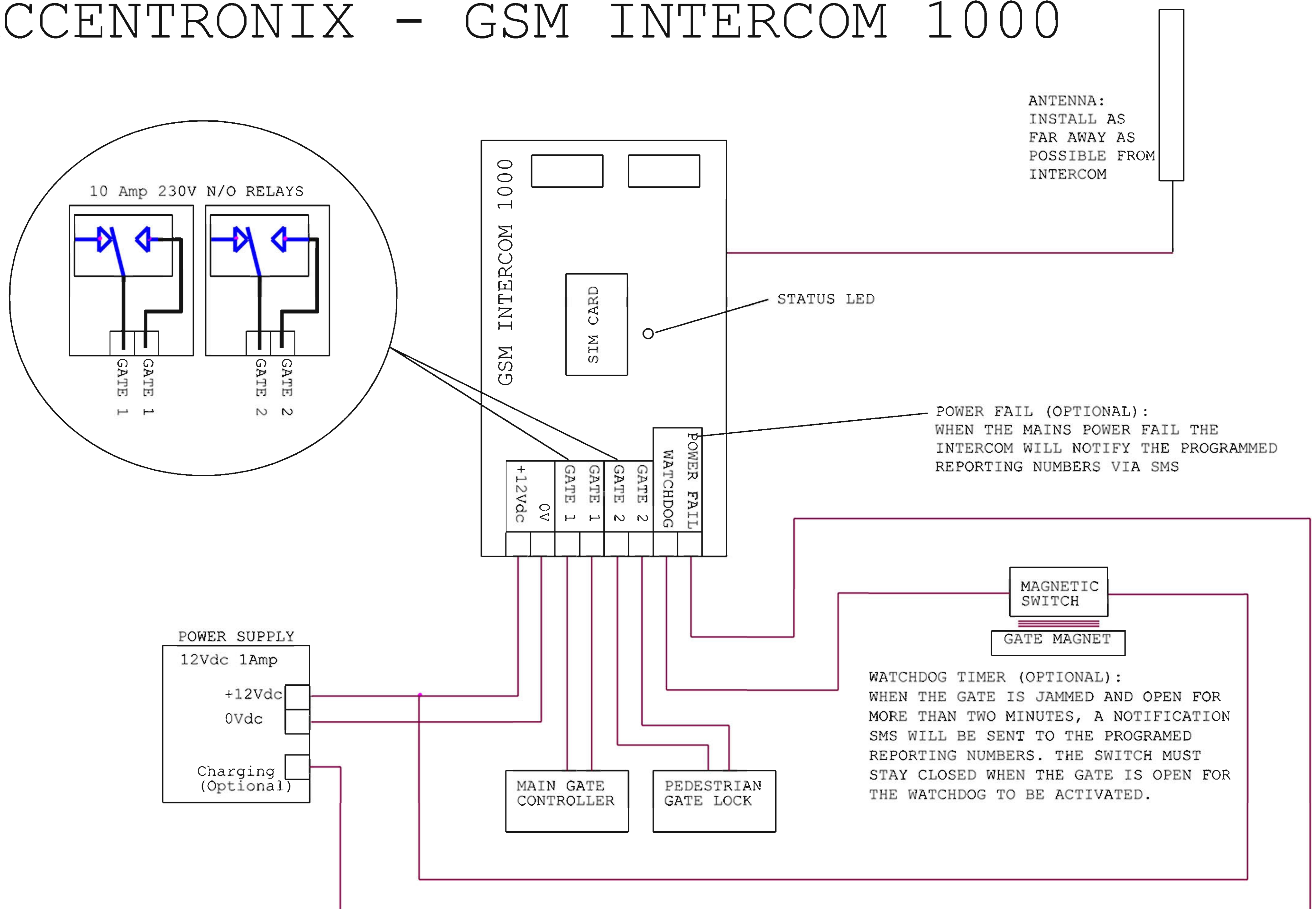
- Do not place the antenna in a metal enclosure or against a metal object.
- Check the signal strength by sending the following sms to the device **1234.signal**
- The signal strength must be between 20 and 30.

Status Led

- On power-up the led will turn on, off and then on again.
- After 10 seconds it will start to flash every 1 second.
- If LED stays on see FAQ & Troubleshooting

Connection Diagram

ACCENTRONIX - GSM INTERCOM 1000



Features

| | |
|---|---|
| Controllable by missed-call | Simply call the device with your cellphone to control output 1. |
| Controllable by 'please-call-me' | Simply send a 'please-call-me' to the device to control output 1 or output 2. (See SMS Command to program) |
| 10 000 Programmable users | You can program up to 10 000 buttons. (i.e. 0 to 9999) |
| Program and monitor remotely by using our secure website | www.accentronix.com - USER LOGIN - Manage users, access control, device settings. Monitor pre-paid airtime, signal and device status online. |
| Backlit Keypad | Keypad access control |
| 2 x Relay Outputs | To open Main and pedestrian gates |
| 2 x Sensor Inputs | Power fail and 2minute gate watchdog timer |
| 5 x Programmable reporting cellphone numbers | The device can SMS up to 5 different cellphone numbers on a power failure or when the gate is open for too long. |
| Status reports by email | The device can automatically send status reports containing Airtime and Access control logs. |
| Stainless steel enclosure | Marine Grade SS316 stainless steel. |
| Rainshield (Optional) | Marine Grade SS316 stainless steel. |
| Security Screws | Stainless steel |

What to keep in mind!

- The gate will ONLY open when a tenant calls it and will ignore any cellphone number that is not programmed onto it.
- When a tenant calls the intercom their 'Caller Line Id' must be turned on as the intercom will ignore 'BLOCKED' or 'No Number Available' cellphone numbers.
- The intercom can call to a cellphone or land line.
- Any pre-paid or contract sim card may be used. Note that the CLIP on a contract sim needs to be enabled.
- The unit uses R20 airtime per month to connect to our management platform.
- Airtime is also used when the unit makes a voice-call and when it connects to the server to be updated.
- Normal airtime must be loaded on a prepaid sim - NO bundles.
- The antenna must NOT be installed inside the metal enclosure.

How easy is it to use?

Simply press the house/unit number on the intercom keypad and the intercom will dial to the cellphone or landline number of the person living there. When the tenant answers his cellphone he can speak to the person at the gate and either press 'cancel' on his phone to disconnect the call and ignore the visitor or press the number '1' button on his cellphone to open the gate. In either case the call will then be disconnected after a couple of seconds. By pressing the number '2' button the cellphone will open the pedestrian gate.

The default call duration is 55 seconds after which the call will automatically be disconnected.

When the tenant need to open the gate to either gain access or let a visitor out, he simply calls the intercom with his cellphone. The call will be disconnected immediately and the gate will open. This call is free of charge as the intercom does not actually answer. You can also send a 'please-call-me' to open the gate if you do not have any airtime on your phone.

The gate can also be opened by pressing a secret code on the intercom keypad. It will be something like *12345 to open the main gate and #12345 to open the pedestrian gate.

What about security?

Your GSM Intercom will ONLY respond to missed calls from programmed cellphone numbers.

The **1234** in front of every SMS command is a password that you can change whenever you want.

How easy is it to program?

Simply log onto our secure, easy to use website www.accentronix.com, register as a user, register your GSM Intercom by using the cellphone number of the sim card you are using and follow the easy to understand instructions.

This method is great for a body corporate to easily assign security access control cellphone numbers to different buttons. This also eliminates the need for remote controls as the GSM Intercom can remember up to 10000 cellphone numbers. Every time someone moves in or out, the body corporate simply log onto our website, add or remove those people's cellphone numbers, hit update and DONE!

Getting Started

| | |
|---------------|--|
| Step 1 | Using your cellphone, ensure that the PIN number of the SIM card is disabled and there is airtime available on the sim before inserting it into the GSM Intercom. Make sure that there is normal airtime loaded on the sim. The sim pin may be set to 2356 if necessary. |
| Step 2 | Connect Power. The status led will turn on for a couple of seconds and then start to flash. See the troubleshooting section if it stays on. |
| Step 3 | Phone the number of the sim card inserted into the GSM Intercom. You will hear one ring after which your call will automatically be disconnected. |
| Step 4 | Send a sms with the text 1234.signal to the GSM Intercom to retrieve the signal strength. The GSM Intercom will reply with a sms containing the signal status. It must be between 20 and 30. |
| Step 5 | Send a sms with the text 1234.airtime to the GSM Intercom to retrieve the airtime. If there is airtime available on the sim and if it is not a contract sim, you will receive a reply sms containing the available airtime. |
| Step 6 | Log onto www.accentronix.com to register and configure your GSM Intercom. Use the website to remotely monitor and manage your GSM Intercom from our secure, easy to use website. |

Installation

| | |
|---------------|---|
| Step 1 | Set the unit up as above before installing it on site. |
| Step 2 | Secure the unit and make sure the antenna is not installed inside the metal enclosure. |
| Step 3 | Connect the power terminals of the intercom directly to the 12V gate motor battery and the GATE 1 terminals over the N/O COM terminals of the gate remote receiver. |
| Step 4 | Check that the signal strength is between 20 and 30 by sending a sms command 1234.signal |
| Step 5 | Make sure that the audio volume on the website is set correctly for the site conditions. |
| Step 6 | Test that the relay outputs are working properly by opening the main and pedestrian gates. |

Initial Setup on Website

| | |
|---------------|--|
| Step 1 | Go to www.accentronix.co.za , click on 'User login' and then 'Create Account'. |
| Step 2 | Use your user name and password to log in. |
| Step 3 | Make sure the device is on and has sufficient airtime loaded on the sim. |
| Step 4 | Click on 'Register Device' and add the following detail: Device name, Cellphone number and default password(1234). |
| Step 5 | Select the device in the Device List, go to General Setup and change the speaker volume to 75% and the microphone volume to 50%. |
| Step 6 | Go to the Access Control and Buttons section and add your name, cellphone number, button number, unit number and click on 'Add'. |
| Step 7 | Click on the 'Update' button at the bottom of the screen. Wait one minute after you get the 'Device successfully updated' message before you use the intercom. |
| Step 8 | You can now press the programmed button on the the intercom keypad, answer the call on your phone and then press 1 or 2 on your phone keypad to listen for the click of the relay. You can also phone the intercom or send a 'please-call-me' to trigger the relays. |

Web Portal

1. Create Account www.accentronix.co.za



ACCENTRONIX HOME
LOGIN

Register New Account

Email: *

Password: *

Confirm password: *

Full names: *

Birth Date: (yyyy-mm-dd) *

Address:

Postal Code:

Contact Number:

* These fields are required

Create Account
Registering your new account will give you access to the secure website where you can manage devices and users.

Please ensure that all the information is spelled correctly to ensure the registration go through smoothly.

After clicking **Register Account** you will receive a confirmation email with a link you need to click on to activate your account.

2. Login



ACCENTRONIX HOME
CREATE ACCOUNT

Please Login

Email:

Password:

Remain Logged in

Login
Enter your **Email** and **Password** to gain access the secure website.

When using the system for the first time you need to create an account. Click on **Create Account** and follow the instructions.

3. Registering New Device



ACCENTRONIX HOME
DEVICE LIST
REGISTER DEVICE
LOG OUT

Registering New Device

Device Name:

Device Cellular Number:

Device SMS Password: Default is 1234

I have read the terms and conditions

Registering Device
To register a device please ensure that the device is turned on and the green light is flashing,also make sure that the SIM card has sufficient airtime. Do not load any bundles.

Enter a **Device Name** to identify your device.

Enter **Device Cellphone Number** this is the number of the simcard in the device.

Enter a **Device SMS Password**, the default is 1234. This SMS password is **NOT** the SIM Pin.

4. Device List

Device List

| | Device Name | Device cell number | Type | Signal | Airtime | Last Comms | Link | Status | Delete |
|--------|-----------------------|--------------------|-------------------|--------|---------|------------------------|--------|---------|----------|
| Select | WORCESTER HUIS HEK | +27822334455 | Cellswitch 100 | 29 | R2.84. | 2013-07-17 12:00:34 PM | [Link] | [Green] | [Delete] |
| Select | WORCESTER HUIS GARAGE | +27822334455 | Cellswitch 100 | 28 | R32.08 | 2013-07-17 12:00:44 PM | [Link] | [Green] | [Delete] |
| Select | DANTES COVE GARAGE | +27822334455 | Cellswitch 100 | 28 | R2.66. | 2013-07-17 12:00:40 PM | [Link] | [Green] | [Delete] |
| Select | ACCENTRONIX ALARM | +27822334455 | Cellswitch 100 | 22 | R44.23 | 2013-07-17 12:00:41 PM | [Link] | [Green] | [Delete] |
| Select | EMAIL TEST 3 | +27822334455 | GSM Intercom 1000 | 20 | R5.60 | 2013-07-09 09:22:11 AM | [Link] | [Red] | [Delete] |

The status icon will turn red or green depending on if the device communicated with our server within the last 24 hours 'Last Comms'

The signal strength must be between 20 and 31.

The device will not be able to communicate with our server if the airtime is low.

The blue 'Link' icon allows you to link the device to other accounts.

5. General Setup

General Setup

Device Name:

Device Cellular number:

Device SMS Password:

Intercom Options

Keypad Access Code:

Max Call Duration: Seconds

Speaker Volume:

Microphone Volume:

SMS Notification Options

Email Report Settings

Access Control and Buttons

General Setup

The **Keypad access code** must be a 4 digit number. This code can then be used at the intercom keypad by pressing * or # and then the code to gain access to the property.

Maximum call duration can be set to limit the time spent on a call.

Speaker and Microphone volume can be changed according to the site noise levels.

6. SMS Notification

SMS Notification Options

Reporting Numbers

Reporting Number 1:

Reporting Number 2:

Reporting Number 3:

Reporting Number 4:

Reporting Number 5:

Email Report Settings

Access Control and Buttons

SMS Notification Options

If the power fails or when the gate stays open for more than 2 minutes, up to 5 people can be notified by sms.

Please note that additional sensors needs to be installed to use this feature.

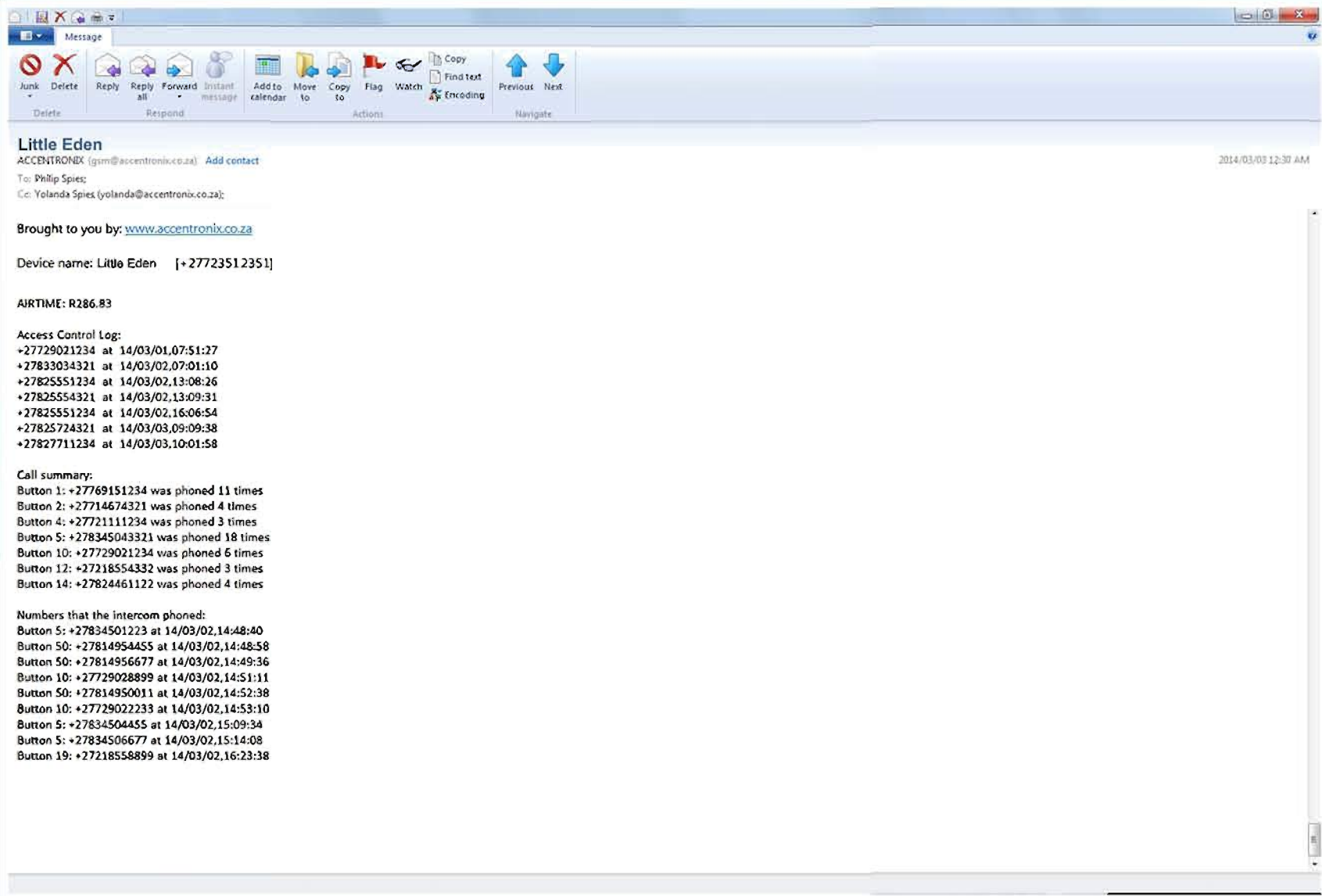
7. Email Reporting Options



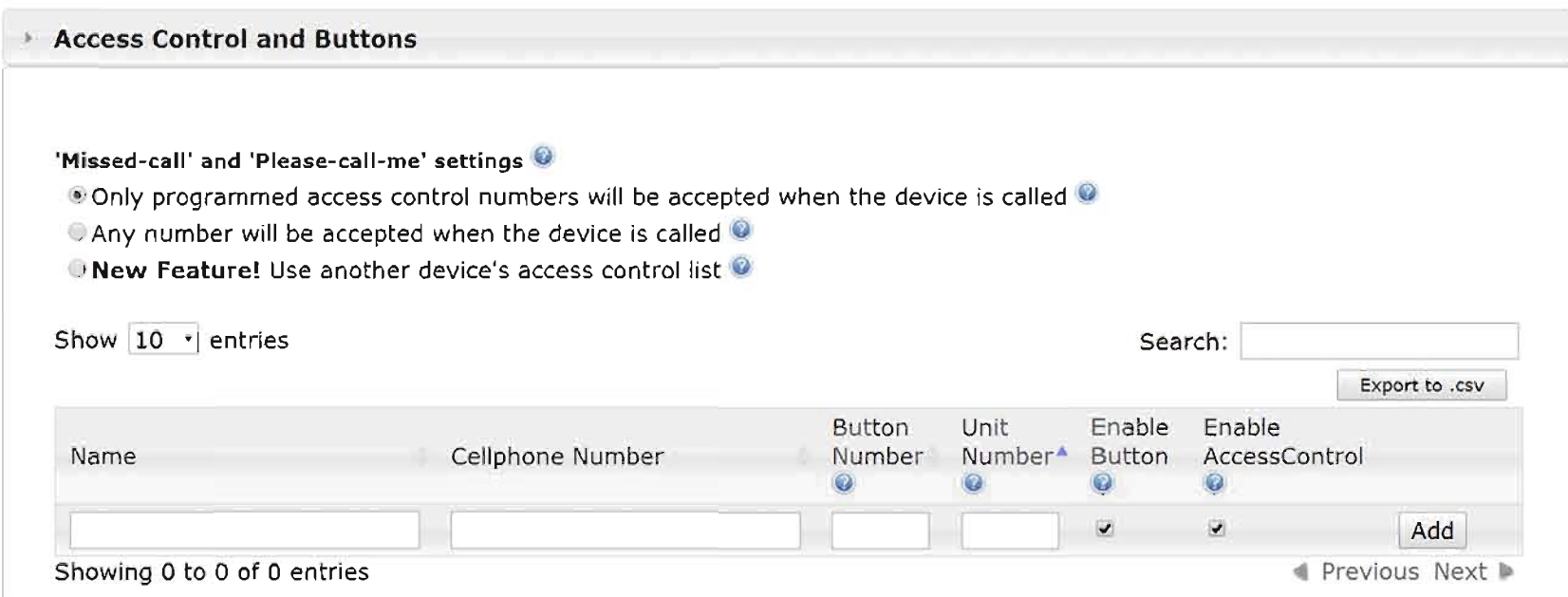
Email Report Options

These email reports contains access control logs, the number of times each button was pressed and the available pre-paid airtime on the sim.

Email report example:



8. Access Control and Buttons



Access Control and Buttons

Enter the person's name, cellphone number, button number and house/unit number and click on 'Add'

To give 'missed call' and 'please-call-me' access control to the maid or gardener, un-click the 'Enable Button' check box.

Use the quick-search box by simply start typing any information about a person or number of persons you are looking for.

If there is more than one Intercom or Cellswitch installed in a security complex (i.e. an intercom at the entrance and a Cellswitch at the exit), you can use the other device's access control list. This allows you to only have to manage a single access control list. Link the Cellswitch to the Intercom.

9. Save Settings and Update

Save Settings Update Device

Copyright © 2004 - 2014 AccentroniX. All rights reserved. Cellswitch™ is a registered trademark.

When you click on the 'Update Device' button the server will connect to the device and upload all the information. R2.50 airtime is deducted every time you click the update button. Wait one minute after you get the 'Success' message to allow the device to reboot before using it.

FAQ & Troubleshooting

Airtime and Sim Card

- Make sure that there is always normal airtime loaded on the sim.
- The easiest way to load airtime is via online banking.
- Keep track of pre-paid airtime by the weekly email reports.
- Request the current airtime by sending the following sms to the device: **1234.airtime**
- The device uses data to communicate to the server for updates.
- A nominal amount of airtime is used every month as described in the portal T&C.
- When you phone the device for Access Control, it will be treated as a free missed call.
- When the Intercom makes a call after pressing a button, standard network call rates apply, depending on the pre-paid or contract sim in the device.
- When the Cellswitch or Intercom sends a sms, standard network sms rates apply.

Positioning Of The Antenna

- The antenna should not be placed inside a metal enclosure or inside the Intercom housing.
- Avoid positioning the antenna closer than 3cm to any metal object.
- Check the Signal Strength and Quality by sending the following sms to the device: **1234.signal**
- The device will reply with a value which must be between 20 and 30
- The minimum recommended signal for optimum performance is 20.
- If the signal is below 20, try rotating or moving the antenna to a higher position.

General Troubleshooting

Q. The Cellswitch or Intercom does not want to update!

A. Phone the device and determine if it rings once and disconnect. If it goes directly to voice mail, check the "Calls goes directly to voice mail" section below. If you hear one ring and it disconnects automatically, make sure that there is normal airtime available on the sim by sending it a sms **1234.airtime** If you do not receive a sms back, the airtime have most probably ran out. Log onto your online banking and load airtime on the cellphone number of the Cellswitch or Intercom. The Cellswitch uses about R120 airtime per year. After you verified the airtime, check that the signal strength is between 20 and 30 by sending the following sms: **1234.signal**

Q. When I phone the device, it rings once but does not want to open the gate. My number is programmed onto it!

A. Check that your cellphone's 'Caller ID' is activated. Any 'No Number' calls will be ignored.

Q. When I phone the device, it keeps on ringing and does not want to open the gate!

A. It is probably a Contract sim. Contact the service provider (i.e. Vodacom or MTN) and ask them to enable the CLIP 'Calling Line Identification Presentation' of the sim. The CLIP is usually enabled by default on 'pre-paid' sim cards only.

Q. Calls goes directly to voicemail!

A. Disconnect power from the device for 10 seconds and check that the led starts flashing after 10 seconds. If the led does not start to flash, check that the sim and antenna is connected properly.

Q. The LED stays on and does not start to flash!

A. Check that the sim card pin code is disabled. Remove the sim and clean the contacts.