

PHOTOCONDUCTIVE CELLS (CdS)

FEATURES

- EPOXY - COATED LOW PROFILE CELL.
- HIGH RELIABLE POWER DISSIPATION.
- COMPACT DIMENSIONS.

APPLICATIONS

- AUTO - FOCUS SLIDE PROJECTS.
- EXPOSURE METERS.
- CONTRAST CONTROL IN TV SETS.
- DIMMER SWITCHES.
- LIGHT SWITCHES.
- DIMMERS FOR LED AND LCD DISPLAYS.
- FLAAME DETECTORS IN OIL BURNERS.
- STREET LAMP SWITCHING.
- ELECTRONIC TOYS.
- OPTO - COUPLERS.
- ELECTRONIC ORGANS.

ELECTRICAL CHARACTERISTICS at $T_a=25^\circ\text{C}$

PART NO.	TYPE	DARK RES _x	RES/100L _{us}
CDS-002	5mm \varnothing	5M	300 Ω
CDS-003	7mm \varnothing	5M	300 Ω
CDS-004	10mm \varnothing	5M	300 Ω
CDS-005	15mm \varnothing	6M	250 Ω
CDS-006	20mm \varnothing	6M	220 Ω

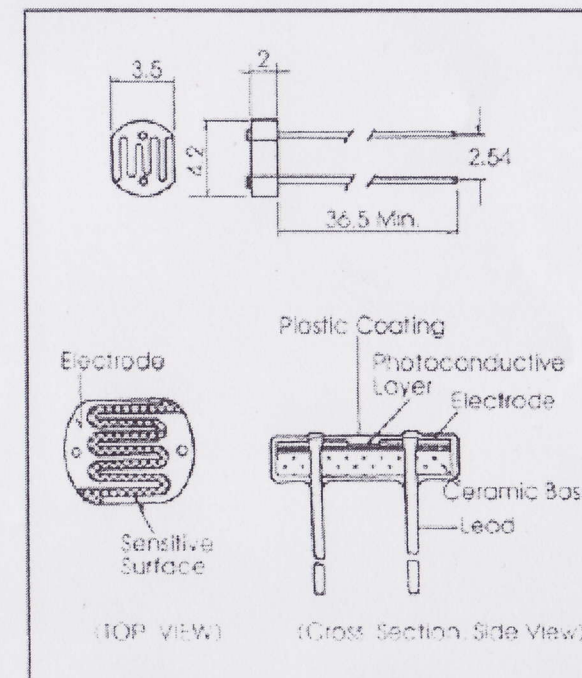
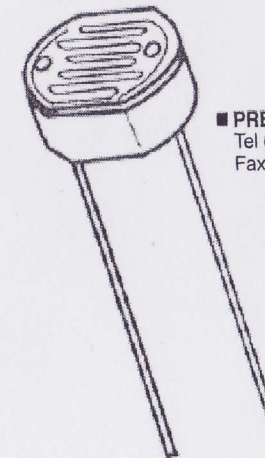
COMMUNICA (PTY)
(LTD)
A WORLD OF ELECTRONICS Reg No 1979/003717-07

■ HEAD OFFICE
Tel (012) 657-3500
Fax (012) 657-3550

E-Mail: sales@communica.co.za
Web: www.communica.co.za

■ PRETORIA
Tel (012) 328-7008
Fax (012) 328-7018

■ CAPE TOWN
Tel (021) 447-0948
Fax (021) 447-0959



Type No.	Out-line	Maximum Ratings			Characteristics E (at 25°C)					
		Applied Voltage at 25°C (Vdc)	Allowable Power Dissipation at 25°C (mW)	Ambient Temperature Ta (°C)	Cell Resistance A			C 100~10 lx Typ.	Response Time at 10 lx D	
					10 lx (at 2856K)		0 lx B		Rise Time Type (ms)	Decay time Typ. (ms)
					Min. (KΩ)	Max. (KΩ)	Min. (MΩ)			
CDS-002		150	90	-30+75	27	60	2	0.85	60	25
CDS-003		200	150	-30+75	3	11	0.3	0.6	550	20
CDS-004		350	400	-30+75	8	16	0.3	0.6	55	25

TO: COMMUNICA

COMMUNICA (PTY)
(LTD)
A WORLD OF ELECTRONICS Reg. No. 1979/003717/07

■ HEAD OFFICE
Tel (012) 657-3500
Fax (012) 657-3550

E-Mail: sales@communica.co.za
Web: www.communica.co.za

RE: CDS PHOTOCCELL

■ PRETORIA
Tel (012) 328-7008
•Fax (012) 328-7018

■ CAPE TOWN
Tel (021) 447-0948
Fax (021) 447-0959