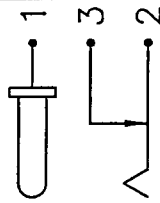



SCHEMATIC	
MODEL NO	C

旭全
總經工業(徐州)有限公司
2021-06-23
圖面發行

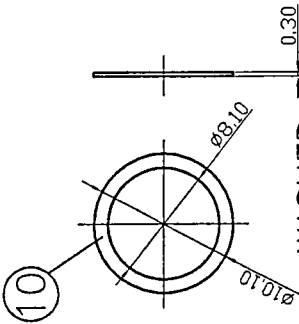
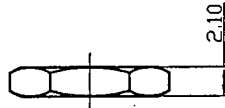
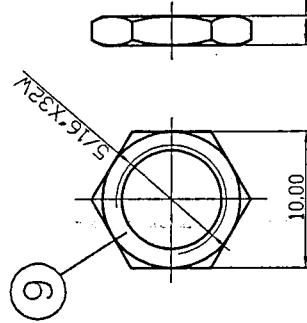
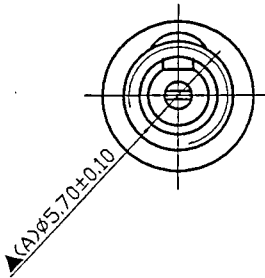
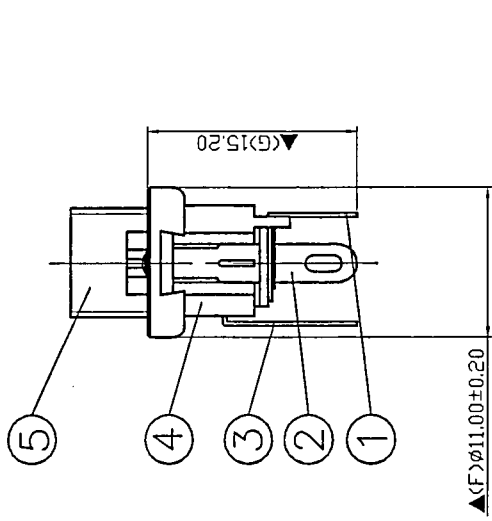
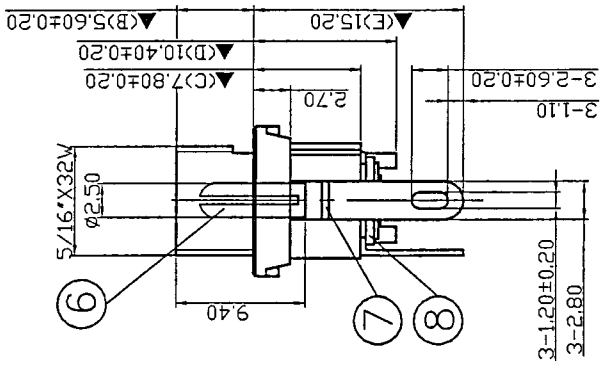
艾臂
中心發行
2021-06-23

10. Washer	0.3T Steel	1	Nickel Plated
9. Nut	Low Lead Brass Rod	1	Nickel Plated
8. Insulator B	Red Vulcanited Fibre	1	Red Color
7. Insulator A	Red Vulcanited Fibre	1	Red Color
6. Pin(2.5φ)	Low Lead Brass Rod	1	Nickel Plated
5. Bushing	Low Lead Brass Rod	1	Nickel Plated
4. Housing	PBT+15%	1	Black Color
3. Break Terminal	0.3T Brass	1	Silver Plated
2. Sleeve Spring	0.4T Phosphor Bronze	1	Silver Plated
1. Pin Terminal	0.3T Brass	1	Silver Plated
NO. Description	Material	Q'TY	Finish

 **S.C.PRECISION INDUSTRIAL CO., LTD.**

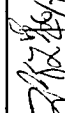
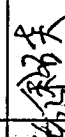

PART NAME : DC POWER JACK PART NUMBER: SCD554DCS103B00L

TOLERANCE : ±0.3mm UNLESS OTHERWISE SPECIFIED



NUT

WASHER

DATE	DWN	CHKD	APVD	MANAGER
06.22.2021	王平華			

VERSION: 3.0

SCALE: 1/1

RoHS&SVHC
Compliant

SPECIFICATIONS:

Current Rating : Max 5A , 24VDC

Contact Resistance : 30mΩ max

Insulation Resistance : 100MΩ min. at DC 500V

Dielectric Withstanding Voltage: AC 500V for one minute

Remark: ▲ : The Most Important Dimension