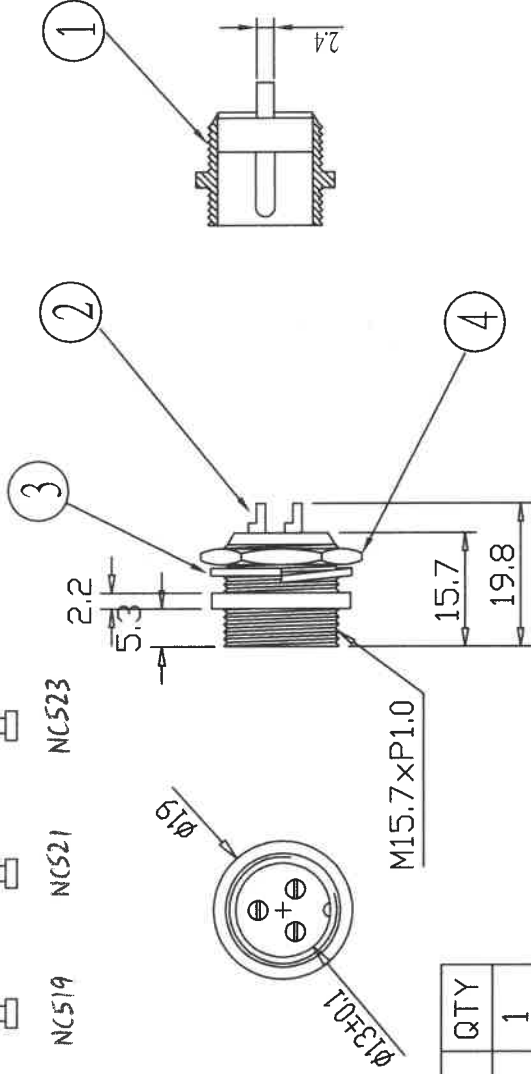


	2P		NC511
	3P		NC513
	4P		NC515
	5P		NC517
	6P		NC519
	7P		NC521
	8P		NC523



CONTACT RESISTANCE: 300MΩ MAX
 INSULATION RESISTANCE: 100MΩ 250V DC
 WITHSTANDING VOLTAGE: 1 MIN AT 250V AC
 INSERTION AND EXTRACTION: 2KG f CM MAX

NO	DESCRIPTION	MATERIAL	QTY
1	BODY	ZINC, NICKEL	1
2	PIN	BRONZE, NICKEL	1
3	WASHER	IRON	1
4	NUT	BRONZE, NICKEL	1
5			
6			

核准日期	23 JUL 2003	設計	C.J HUANG	比例尺	1:1
核准	J.F. WANG	繪圖	C.T WANG	單位	UN
修正日期		修正說明			m/m

TOLERANCES
0.5MM-5MM=±0.2MM
5MM-30MM=±0.4MM
30MM-120MM=±0.6MM
120MM-315MM=±1.0MM
315MM-1000MM=±1.6MM
1000MM-2000MM=±2.4MM

WTN-11-204	REF.NO.
MIC CONNECTOR, MALE	
NICKEL PLATED	

communicica (PTY) LTD
 A WORLD OF ELECTRONICS Reg. No. 1979/00371/07

HEAD OFFICE
 Tel (012) 657-3500
 Fax (012) 657-3550
 E-Mail: sales@communicica.co.za
 Web: www.communicica.co.za

PRETORIA
 Tel (012) 328-7008
 Fax (012) 328-7018

CAPE TOWN
 Tel (021) 447-0948
 Fax (021) 447-0959