

5KW DEYE HYBRID INVERTER



Max. Efficiency
97.6%



2 MPPT



RS485/CAN



Internal SPD



Zero Export



IP65
Ingress Protection



High Power
Factor



High Surge
Endurance



AC Coupled



Support Generator
Connection

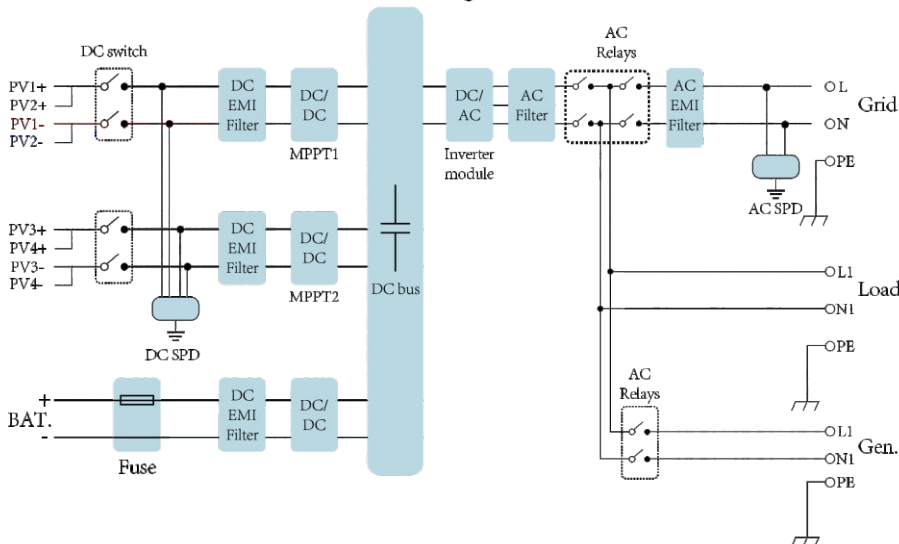


Six Time of
Use Setting

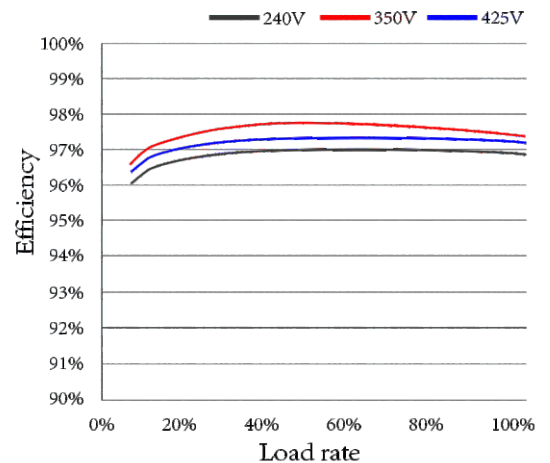


Support Multiple
Parallel

Circuit block diagram



Efficiency curve



*** HIGHER YIELDS**

Improve self-consumption ratio up to 80%, reducing your electricity bill
DC/AC ratio up to 1.3, completely suitable for double-side PV modular
Two MPPT design, Max. efficiency of 97.6%

*** USER-FRIENDLY**

LCD Touch screen and buttons, easy operation
Compatible with lithium-ion battery and lead acid battery
Web browser and mobile App monitoring supported

*** RELIABLE**

PV lightning protection, Anti-islanding protection, Leakage current protection etc
Support store energy from DG when needed, ensure the system working within 7*24H
IP65 protection degree, adapt to indoor and outdoor using
Automatically switch from on-grid to off-grid mode within 5ms
Zero exporting function, fast reaction within 200ms in zero export mode

*** SMART**

Programmable charging and discharging schedule
Both wind turbines and solar panels can be connected as DC input power
Max. 16 units can be paralleled for higher system power
Retrofitting of existing solar system to energy storage system



SPECIFICATIONS

Model	SUN-5K-SG01LP1
Battery Input Data	
Battery Type	Lead-acid or Li-Ion
Battery Voltage Range (V)	40-60V
Max. Charging Current (A)	120A
Max. Discharging Current (A)	120A
Charging curve	3 Stages/Equalization
External Temperature Sensor	Optional
Charging Strategy for Lithium Battery	Self-adaption to BMS
PV String Input Data	
Max. DC Input Power (W).	6500W.
PV input Voltage (V).	370V (100V-500V).
MPPT Range (V).	125-425V.
Full Load DC Voltage Range.	240V-425V.
Start-up Voltage (V)	150V.
PV Input Current (A).	11A + 11A.
No. of MPPT Trackers.	2
No. of Strings Per MPPT Tracker.	1+1.
AC Output Data	
Rated AC Output and UPS Power (W).	5000W.
Max AC Output Power (W).	5500W.
Peak Power(off grid).	2 times of rated power, 10 S.
AC Output Rated Current(A).	21.7A.
Max.AC Current(A).	25A.
Max Continuous AC Pass through(A).	35A.
power factor.	0.8 leading to 0.8 lagging.
Output Frequency and Voltage.	50/60Hz; 220/230/240Vac(split phase).
Grid Type.	single phase.
Current Harmonic Distortion.	THD<3% (Linear<1.5%).
Efficiency	
Max. Efficiency	97.60%
Euro Efficiency	96.50%
MPPT Efficiency	99.90%
Protection	
PV Input Lightning Protection	Integrated
Anti -islanding Protection	Integrated
PV String Input Reverse Polarity Protection	Integrated
Insulation Resistor Detection	Integrated
Residual Current Monitoring Unit	Integrated
Output over Current Protection	Integrated
Output Shorted Protection	Integrated
Output over Voltage Protection	Integrated
Certifications and Standards	
Grid Regulation	UL1741, IEEE1547, RULE21, VDE0126, AS4777, NRS2017, G98, G99, IEC61683, IEC62116, IE61727
Safety Regulation	IEC62109-1, IEC62109-2
EMC	EN61000-6-1, EN61000-6-3, FCC 15 class B
General Data	
Operating Temperature Range (C)	-25—60 C , >45 C Derating
Cooling	Fan
Noise (dB)	<30
Communication with BMS	RS485; CAN
Weight (kg)	20.5
Size mm)	580 X 330 X 208mm
Protection Degree	IP65
Installation Style	Wall mounted
Warranty	5 years

