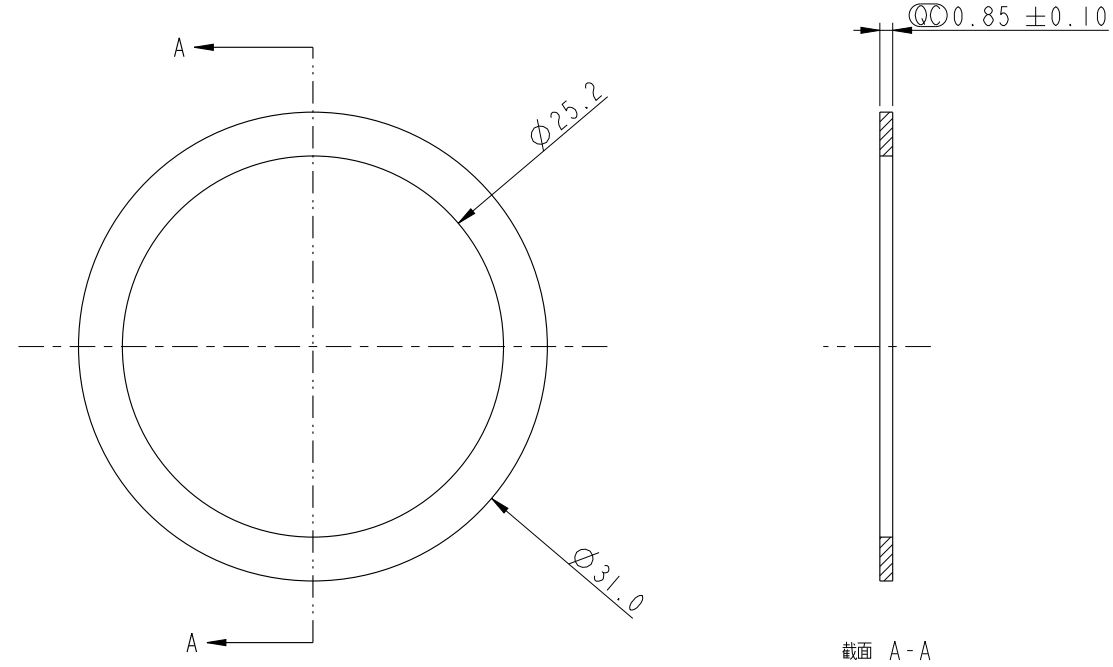


THIS DOCUMENT IS SUBJECT TO CHANGE WITHOUT NOTICE. IT IS CONFIDENTIAL AND A PROPERTY OF LTW. DISCLOSURE TO THIRD PARTY HAS TO BE AUTHORIZED BY LTW.

| | | | | |
|------|------------|------------|--------|------------------------------|
| REV. | ECN NO. | DATE | SIGN | DESCRIPTION |
| B | LEN1140083 | 2011-04-11 | jordan | Edit Color PANTONE 430C~432C |

ALTW
CONFIDENTIAL
 2011-04-11
R&D DEPT.



ALTW DCC.
 2011.04.18
 ISSUED

Note:
 * Material: SILICONE 70° (UL94V-0) (HR-4020)
 * Color: PANTONE 430C~432C
 * CC Important Dimension To Check

| | | | |
|----------------------------------------------------------------|----------------|-------------------------------|----------------------|
| UNIT: mm | | | TITLE RING |
| TOLEARANCE .X ±0.25 .XX ±0.1 .XXX ±0.05 ANGLES ±1° | SCALE 2:1 | SIZE A4 | SHEET 1 OF 1 |
| REV. B | WC-REV. B.1 | CC : Inspection item | |

Amphenol LTW
 安費諾亮泰企業股份有限公司

| | | |
|-------------------------|----------------------|--------------------|
| ITEM NO. DGA00010115 | DRAWN BY jordan | DATE 2011-04-11 |
| DWG NO. DGA00010115 | CHECKED BY jordan | DATE 2011-04-11 |
| CUSTOMER | APPROVED BY luke | DATE 2011-04-11 |