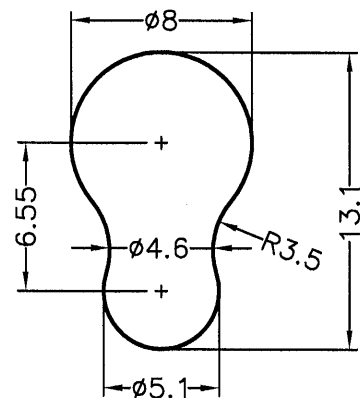
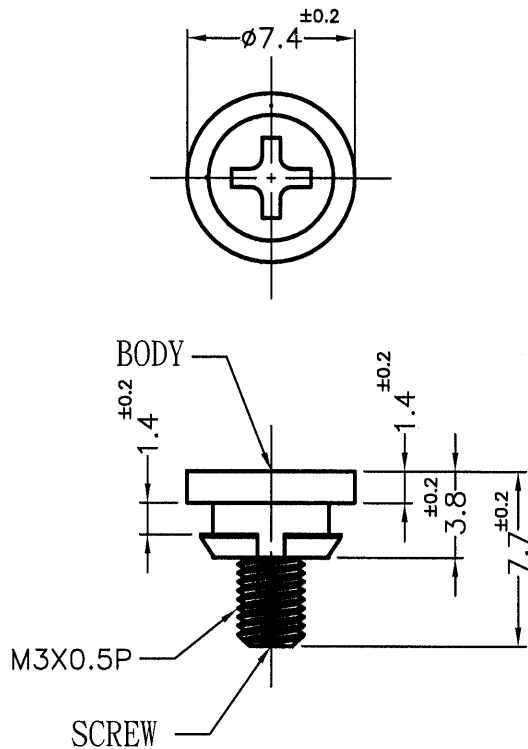


| REVISIONS | | | |
|-----------|-------------|------|----|
| REV | DESCRIPTION | DATE | BY |
| | | | |
| | | | |



MOUNTING HOLE

(The matched hole spec is only for reference.)

| NAME | MATERIAL | FINISH | COLOR |
|-------|----------|-------------|-------|
| BODY | TPE | | BLUE |
| SCREW | STEEL | ZINC PLATED | |

| 符合歐盟ROHS規範 (RoHS Compliant) | |
|-----------------------------|----------|
| ★ 鉛Pb | <1000PPM |
| ★ 鎘Cd | < 100PPM |
| ★ 汞Hg | <1000PPM |
| ★ 六價鉻Cr6+ | <1000PPM |
| ★ 多溴聯苯類PBBs | <1000PPM |
| ★ 多溴聯苯醚類PBDEs | <1000PPM |

NOTE:MADE OF EQUIVALENT MATERIAL.
使用同等材質



| | | | | | |
|--|----|--------------------------------------|----------------------|------------|------------|
| <p>康揚企業股份有限公司 KANG YANG HARDWARE ENTERPRISE CO., LTD. 康揚塑膠(東莞)有限公司 KANG YANG PLASTIC(DONG GUAN) CO.,LTD. 康哲電腦配件(吳江)有限公司 KANG CHE COMPUTER COMPONENTS(WUJIANG) CO.,LTD.</p> | | TITLE | ANTI-VIBRATE GROMMET | SPEC. DWG. | |
| | | MATERIAL | SEE ABOVE | DATE | 2016.07.26 |
| PART NUMBER | | FINISH | SEE ABOVE | DRAWN | T.C |
| DRAWING NUMBER | | COLOR | SEE ABOVE | CHECK | 彭永承 |
| SIZE | A4 | SCALE | 4:1 | UNIT | mm |
| REV | A | UNLESS OTHERWISE SPECIFIED TOLERANCE | SEE ABOVE | APPROVED | Kang |