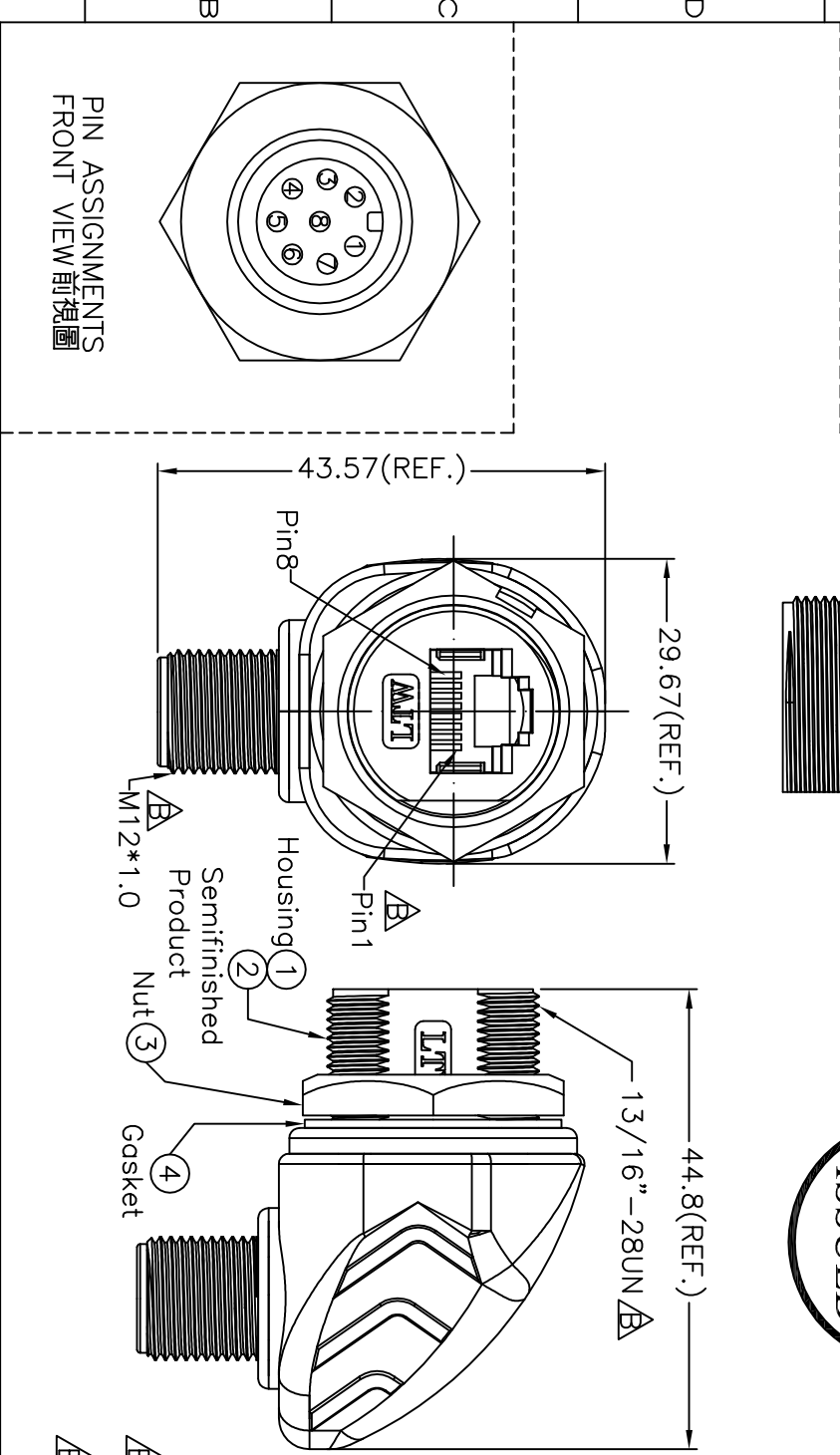
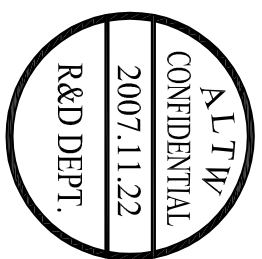
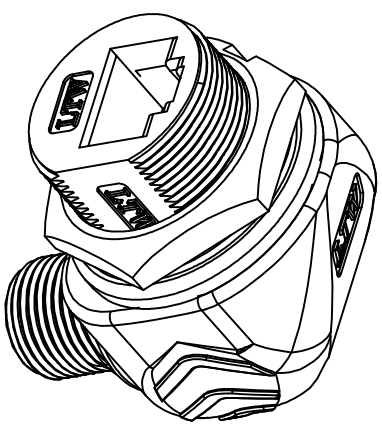
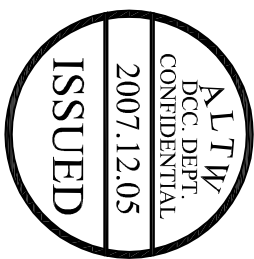
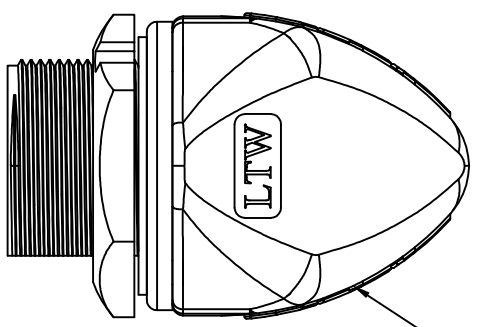
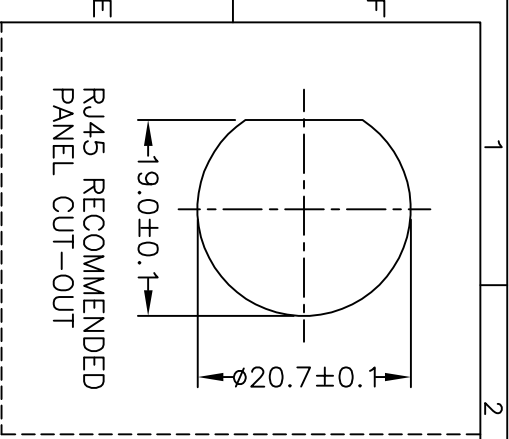


REV. B	EON NO. LEN-7C0018	DATE 2007/11/22	SIGN EZ	DESCRIPTION Update Drawing
--------	--------------------	-----------------	---------	----------------------------



- Note:
- * @Important Dimension
 - * Housing: ABS 94V-0,Black
 - * Nut: Nylon+GF,Black
 - * Gasket: EPDM,Black
 - * Jack: PBT,Black
 - * Jacket: PU,Black
 - * M12 Conn: Brass,Nickel Plated
 - * Use without Waterproof cap or Dust cap
 - * RJ45 For Panel Thickness Max: 2.8mm.
 - * Use with waterproof cap or dust cap
 - * RJ45 For Panel Thickness Max: 1.6mm.

UNIT:mm	TITLE	M12 TO RJ45 Adapter		ITEM NO	RJS-12D08FM-RS6001	DRAWN BY	EZ	DATE	2007/11/22
TOLERANCE	SCALE	Free	SHEET	DWG NO	RJS-12D08FM-RS6001	CHECKED BY	Kathy	DATE	2007/11/28
.X ±0.25	REV.	B	1 OF 1	CUSTOMER	ALTW	APPROVED BY	Simon	DATE	2007/11/28
XX ±0.1	SIZE	A4	@@ Inspection Item						
XXX ±0.05									
ANGLES ±1°									