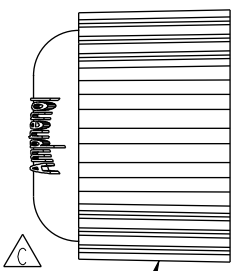


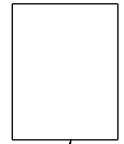
REV.	ECN NO.	DATE	SIGN	DESCRIPTION
B	LE3-6B0135	2006/11/13	Jerry	Remove the section
C	LEN14C0435	2014/12/16	Vicky	Update Logo

ALTW  
CONFIDENTIAL  
2014-12-16  
R&D DEPT.

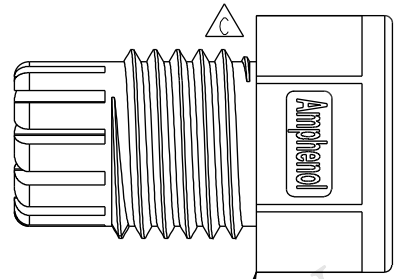
ALTW  
DCC. DEPT.  
CONFIDENTIAL  
2014.12.23  
ISSUED



Sealing Nut (5)



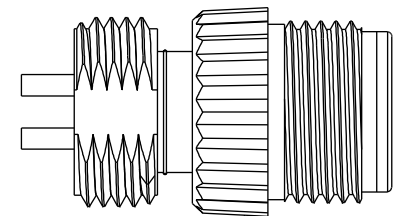
Seal (4)



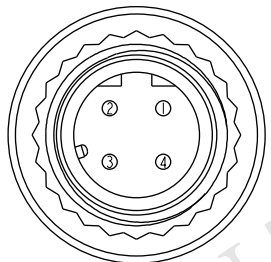
Clamp Ring (3)



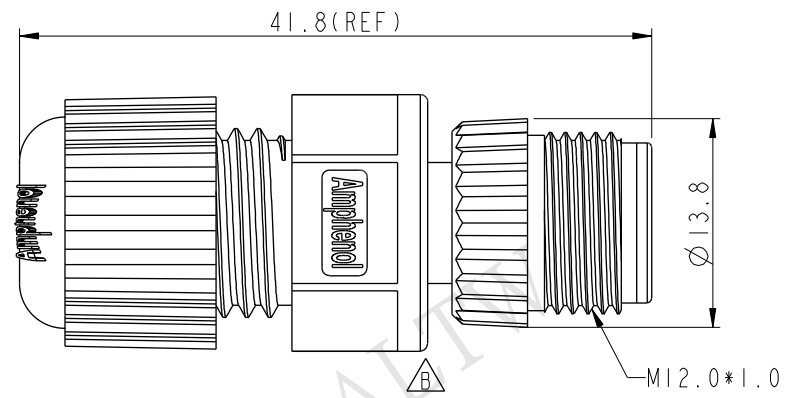
Gasket (2)



Connector (1)



Pin Assignments  
Front View



Note:

- \* Waterproof Rate: IP68  
IP68: 1M Depth Of Water In 24hours
- \* Housing: Nylon+GF, Black
- \* Male Pin: Copper Alloy, Gold Plated
- \* Screw Nut: Nylon+GF, Black
- \* Gasket: EPDM, Black
- \* Clamp Ring: Nylon, Black
- \* Seal: EPDM, Black
- \* Sealing Nut: Nylon, Black
- \* Seal For Cable OD:  $\varnothing 4.5\text{mm} \sim \varnothing 6.5\text{mm}$

UNIT:mm		
TOLERANCE		
.X	$\pm 0.25$	
.XX	$\pm 0.1$	
.XXX	$\pm 0.05$	
ANGLES	$\pm 1^\circ$	

TITLE M12 D Code Assy Screw 4Pin M Conn M Pin			
SCALE 2:1	SIZE A4	SHEET 1 OF 1	
REV. C	WC-REV. A.1	QC: Inspection item	

**Amphenol LTW**  
安費諾亮泰企業股份有限公司

ITEM NO. SDP-04BMMA-SL8001	DRAWN BY Vicky	DATE 2014-12-16
DWG NO. SDP-04BMMA-SL8001	CHECKED BY Sam	DATE 2014-12-16
CUSTOMER ALTW	APPROVED BY Rita	DATE 2014-12-16

THIS DOCUMENT IS SUBJECT TO CHANGE WITHOUT NOTICE. IT IS CONFIDENTIAL AND A PROPERTY OF Amphenol LTW. DISCLOSURE TO THIRD PARTY HAS TO BE AUTHORIZED BY Amphenol LTW.