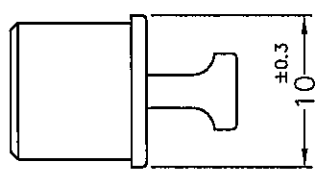
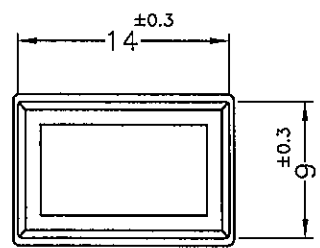
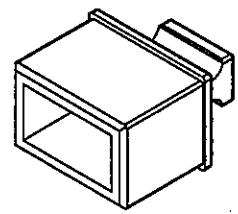
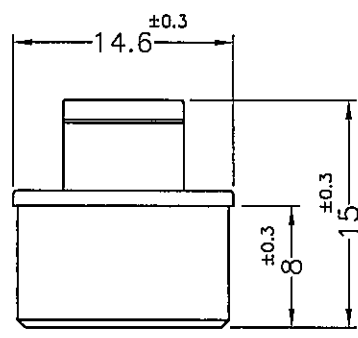



REVISIONS			
REV	DESCRIPTION	DATE	BY



- NOTE:1. SHRINKING IS NORMAL STATUS.
 內縮為正常現象。
 2. MADE OF EQUIVALENT MATERIAL.
 均可使用同等材質。
 3. THE COLOR BATCH TEST REPORT IS ONLY FOR FIRST LOT TEST.
 色母環保檢測報告, 僅提供原始測試報告。



 康揚企業股份有限公司 KANG YANG HARDWARE ENTERPRISE CO., LTD. 康揚塑膠(東莞)有限公司 KANG YANG PLASTIC(DONG GUAN)CO.,LTD. 康哲電腦配件(吳江)有限公司 KANG CHE COMPUTER COMPONENTS(WUJIANG) CO.,LTD.				TITLE	CONNECTOR COVER	SPEC. DWG.
				MATERIAL	PE	DATE
PART NUMBER		DRAWING NUMBER		HARDNESS	DRAWN	JOHNNY
SFPC-1(B)		SFPC-1(B)		COLOR	BLACK	
SIZE	SCALE	UNIT	REV	UNLESS OTHERWISE SPECIFIED TOLERANCE	CHECK	APPROVED
A4	2:1	mm	A	SEE ABOVE	李柏宥	Kang