

Residual-current transformer for residual current monitoring Bushing
opening 35 mm Residual current 30 mA...40 A



Figure similar

General technical data:	
Product designation	Residual current transformer for fault current monitoring
Product feature Touch protection	Yes
Type of electrical connection at output	screw-type terminals
Operating voltage rated value maximum	690 V
Continuous current per phase maximum	85 A
Fault current at input rated value	40 A
Surge voltage resistance rated value	6 kV
Equipment marking acc. to DIN EN 81346-2	B
Equipment marking acc. to DIN 40719 extended according to IEC 204-2 acc. to IEC 750	T
Equipment marking acc. to DIN EN 61346-2	B

Connections/ Terminals:	
Type of connectable conductor cross-sections	
<ul style="list-style-type: none"> • solid 	1x (0.5 ... 2.5 mm ²)
<ul style="list-style-type: none"> • finely stranded — with core end processing 	1x (0.5 ... 1.5 mm ²)

- at AWG conductors
 - solid

1x (20 ... 13)



Ambient conditions:

Ambient temperature	
• during transport	-25 ... +60 °C
• during operation	-25 ... +60 °C
• during storage	-40 ... +85 °C
Relative humidity during operation	95 %
Installation altitude at height above sea level	2 000 m

Installation/ mounting/ dimensions:

Diameter of feed through opening	35 mm
Width	70 mm
Height	64 mm
Depth	75.5 mm
Mounting position	standing, on horizontal mounting surface
Mounting type	Screw and rail mounting
Tightening torque with screw-type terminals	0.5 ... 0.6 N·m
Tightening torque [lbf·in] with screw-type terminals	4.4 ... 5.3 lbf·in

Certificates/ approvals:

General Product Approval		Declaration of Conformity	Test Certificates	
				Type Test Certificates/Test Report
CCC	UL		EG-Konf.	Special Test Certificate

other

[Confirmation](#)

Further information

Information- and Downloadcenter (Catalogs, Brochures,...)

<http://www.siemens.com/industrial-controls/catalogs>

Industry Mall (Online ordering system)

<http://www.siemens.com/industrymall>

Cax online generator

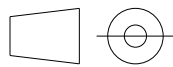
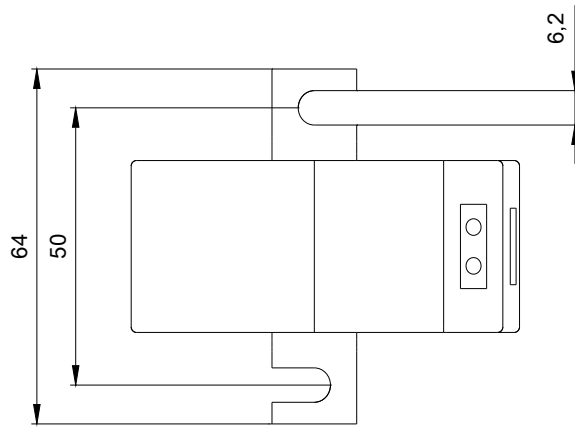
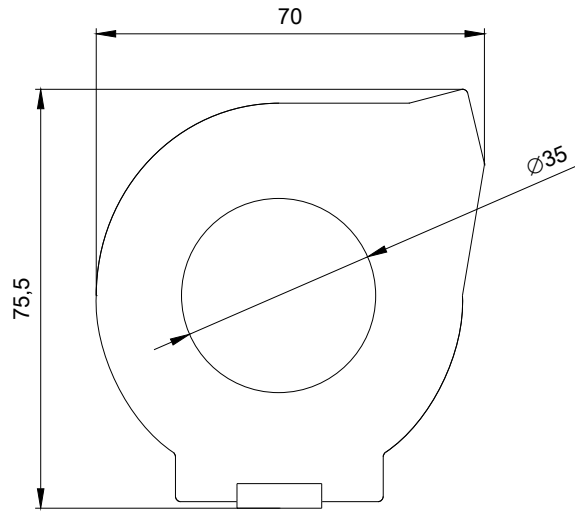
<http://support.automation.siemens.com/WW/CAXorder/default.aspx?lang=en&mlfb=3UL2302-1A>

Service&Support (Manuals, Certificates, Characteristics, FAQs,...)

<https://support.industry.siemens.com/cs/ww/en/ps/3UL2302-1A>

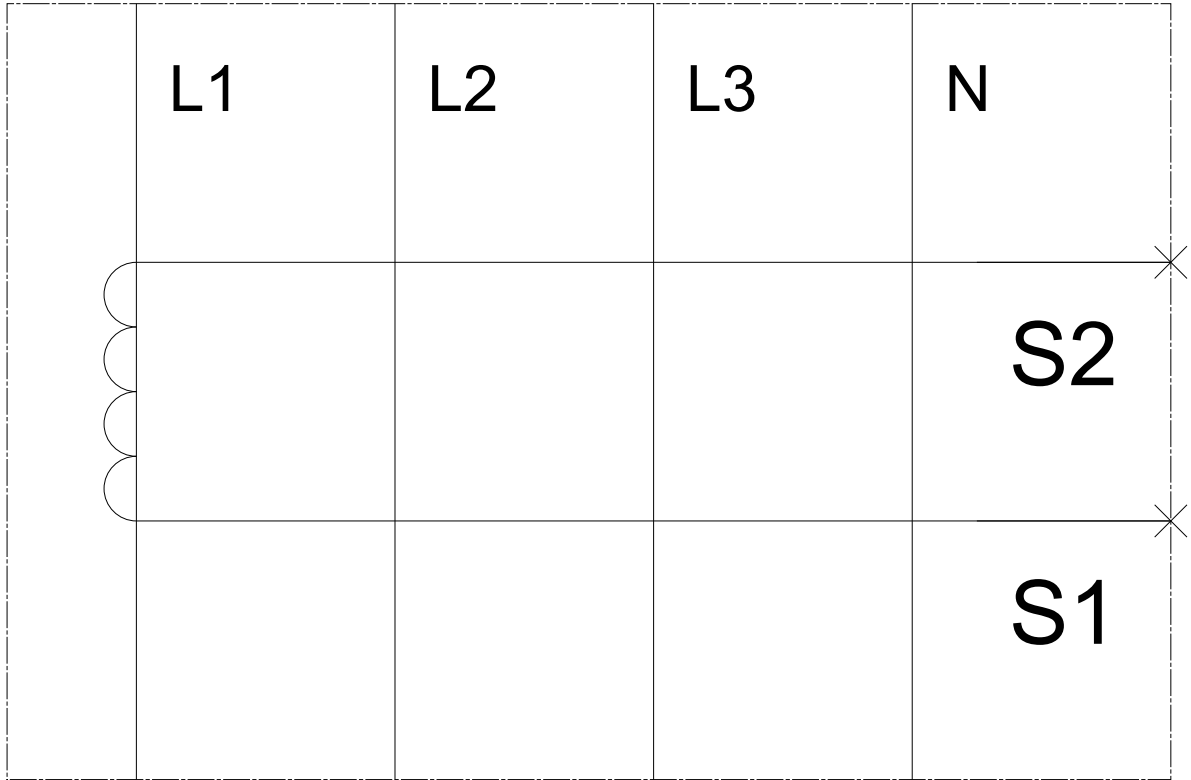
Image database (product images, 2D dimension drawings, 3D models, device circuit diagrams, EPLAN macros, ...)

http://www.automation.siemens.com/bilddb/cax_de.aspx?mlfb=3UL2302-1A&lang=en



W9.4444; 3UL2302-1A_ALL
W9.9583;

-B



last modified:

01/24/2018