

Solid State Relay

KSI240 Series 1-Phase AC Output

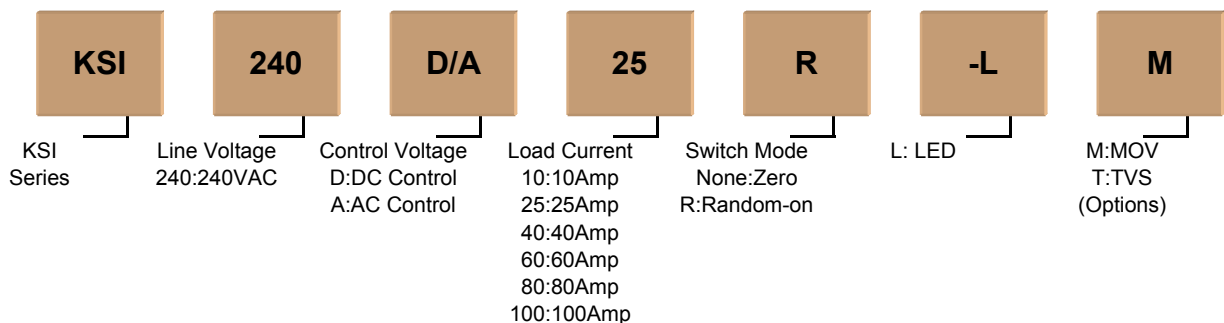


- Zero switching or instant-on
- Ratings from 10A to 100A @ 48-280VAC
- SCR output for heavy industrial loads
- AC or DC input
- DBC substrate for superior thermal performance
- Opto-isolation: >4000VACrms
- LED indication
- Internal RC/MOV and TVS protection circuit as option

Product Description

KSI240 series industrial, 1-phase relay with antiparallel thyristor output is the most widely used industrial SSR due to its multiple application possibilities. The relay can be used for resistive, inductive and capacitive loads. The control input voltage is 4-32VDC or 85-280VAC, output currents 10A, 25A, 40A, 60A, 80A and 100A. @ 48-280VAC.

Product Selection



Description	10A	25A	40A	60A	80A	100A
D:3-32VDC	KSI240D10	KSI240D25	KSI240D40	KSI240D60	KSI240D80	KSI240D100
	KSI240D10R	KSI240D25R	KSI240D40R	KSI240D60R	KSI240D80R	KSI240D100R
AC:85-280VAC	KSI240A10	KSI240A25	KSI240A40	KSI240A60	KSI240A80	KSI240A100

Technical Specification

Input Circuit

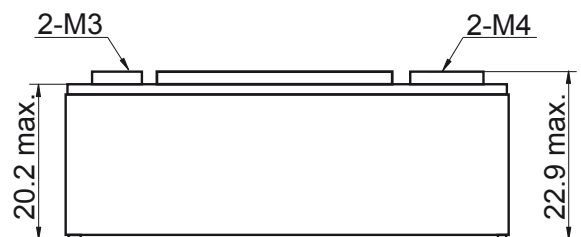
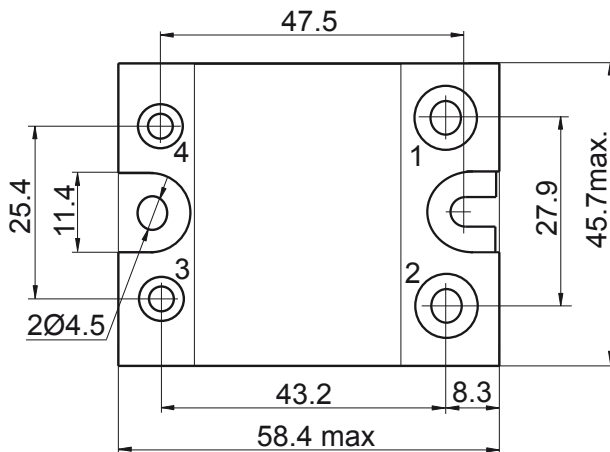
Control Voltage Range	DC Input	4-32VDC
	AC Input	85-280VAC
Minimum Turn-On Voltage	DC Input	4VDC
	AC Input	85VAC
Minimum Turn-Off Voltage	DC Input	1VDC
	AC Input	10VAC
Maximum Input Current	DC Input	25mA
	AC Input	10mA

Output Circuit		
Load Voltage		48-280VAC
Maximum Turn-On Time	DC Input Random-On	1mS
	DC Input Zero-On	1/2AC Cycle + 1mS
	AC Input	20mS
Maximum Turn-Off Time	DC Input	1/2AC Cycle + 1mS
	AC Input	40mS
Maximum Surge Current (@10 mS)	10A	100A
	25A	250A
	40A	400A
	60A	600A
	80A	800A
	100A	1250A
Transient Overvoltage		600Vpk
Maximum Off-State Leakage Current [@ Rated Voltage]		5mA
Maximum On-State Voltage Drop [@ Rated Current]		1.7Vrms
Minimum Off-State dv/dt[@ Maximum Rated Voltage]		500V/μS

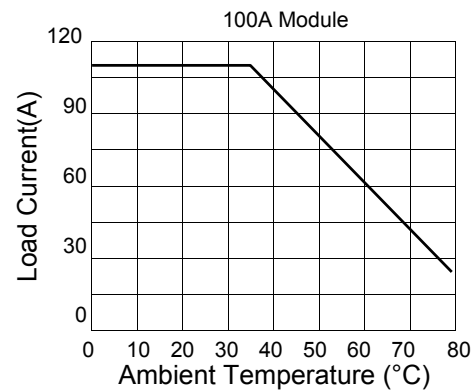
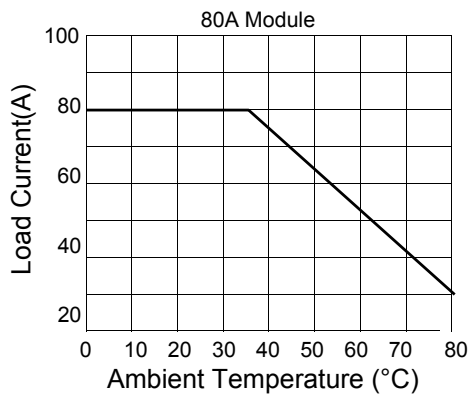
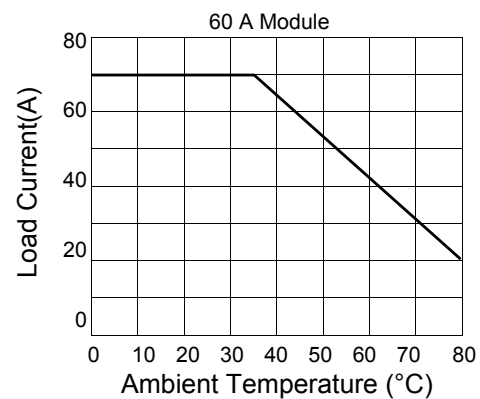
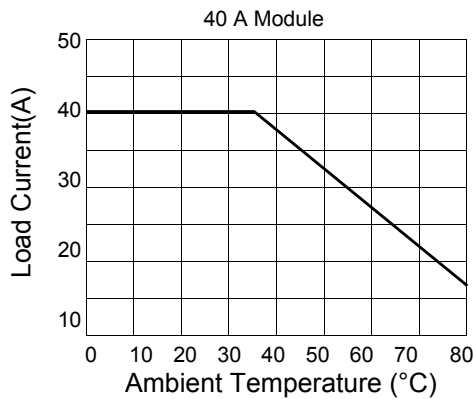
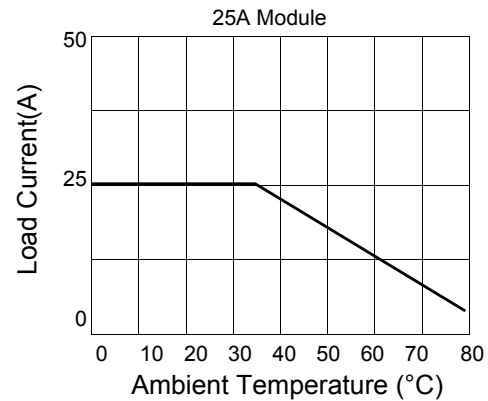
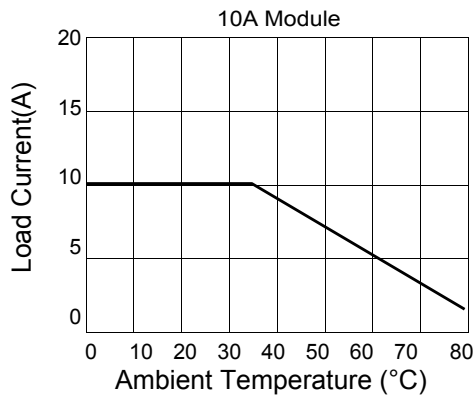
General Information	
Dielectric Strength, Input/Output/Base (50/60Hz)	4000Vrms min.
Ambient Operating Temperature Range	-30°C ~ +80°C
Ambient Storage Temperature Range	-30°C ~ +100°C
Weight (typical)	85g

Application
 High-low Temperature Chamber, Plastics Machinery, Incubation Machine, Oiling Machine;
 HVAC,Elevator, Lighting, Fountain Controller

Installation



Thermal Curve



Important Notice

1. When the ambient temperature is over 40°C or many KSI series are installed closely together, the user should take load discount into account according to the thermal curve.
2. If the load current is over 5A, suitable heatsink should be added to the SSR.

Product Certification



SONG CHUAN EUROPE GmbH
 Im Petersfeld 5
 D-65624 Altendiez
 Phone: +49 6432 8006 90
 Fax: +49 6432 8006 50
info@songchuan.eu
www.songchuan.eu

This product is a supplementary product for the European market
 and only available through Song Chuan Europe.
 It is manufactured by Kudom Electronics Technology, China.

Solid State Relay

KSI480 Series Single Phase AC Output

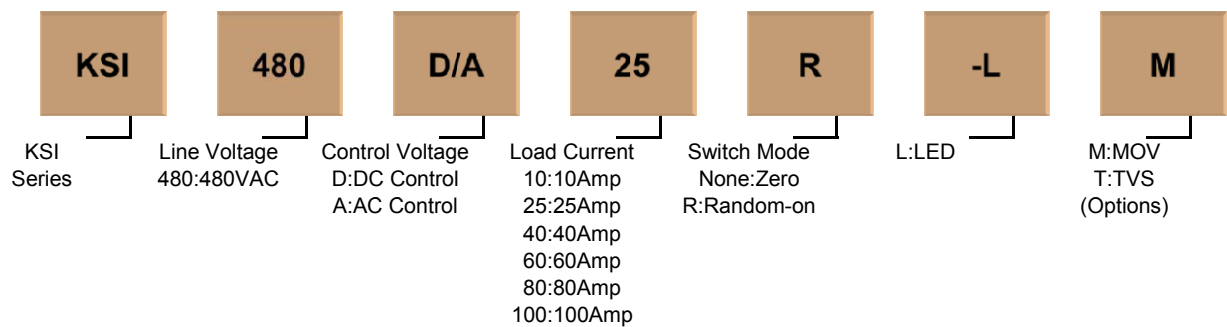


- Zero switching or instant-on
- Ratings from 10A to 100A @ 48-530 VAC
- SCR output for heavy industrial loads
- AC or DC input
- DBC substrate for superior thermal performance
- Opto-isolation: >4000VACrms
- LED indication
- Internal RC/MOV and TVS protection circuit as option

Product Description

KSI480 series industrial single phase relay with SCR output is the most widely used in industry application. The relay can be used for resistive, inductive and capacitive loads. The control input voltage is 4-32VDC or 85-280VAC, output current rate 10A, 25A, 40A, 60A, 80A and 100A @ 48-530VAC.

Product Selection



Description	10A	25A	40A	60A	80A	100A
D:3-32VDC	KSI480D10	KSI480D25	KSI480D40	KSI480D60	KSI480D80	KSI480D100
	KSI480D10R	KSI480D25R	KSI480D40R	KSI480D60R	KSI480D80R	KSI480D100R
AC:85-280VAC	KSI480A10	KSI480A25	KSI480A40	KSI480A60	KSI480A80	KSI480A100

Technical Specification

Input Circuit

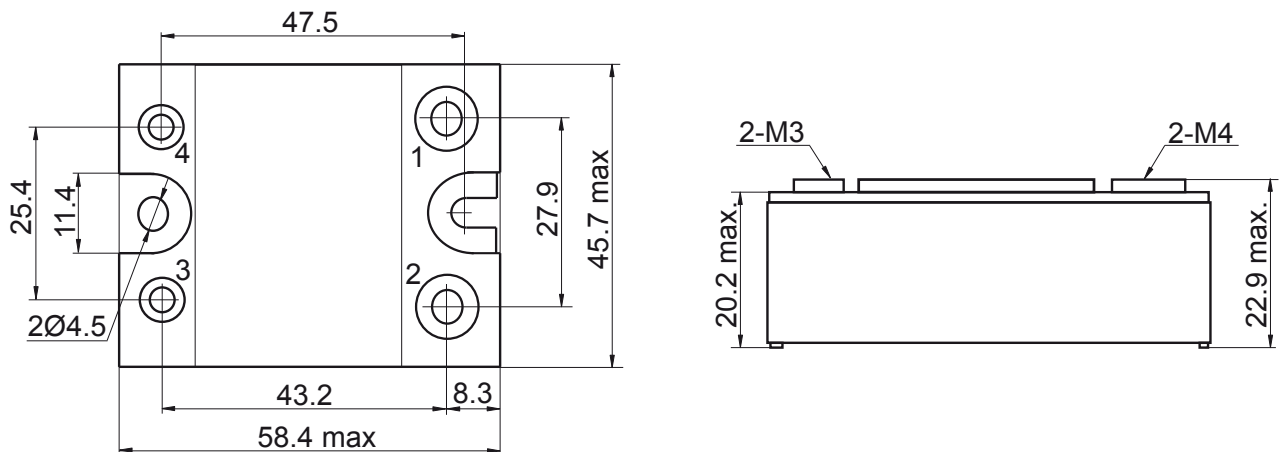
Control Voltage Range	DC Input	4-32VDC
	AC Input	85-280VAC
Minimum Turn-On Voltage	DC Input	4VDC
	AC Input	85VAC
Minimum Turn-Off Voltage	DC Input	1VDC
	AC Input	10VAC
Maximum Input Current	DC Input	25mA
	AC Input	10mA

Output Circuit		
Load Voltage	48-530VAC	
Maximum Turn-On Time	DC Input Random-On	1ms
	DC Input Zero-On	1/2AC Cycle + 1ms
	AC Input	20ms
Maximum Turn-Off Time	DC Input	1/2AC Cycle + 1ms
	AC Input	40ms
Maximum Surge Current (@10 ms)	10A	400A
	25A	600A
	40A	640A
	60A	860A
	80A	1280A
	100A	1550A
Transient Overvoltage	1200Vpk	
Maximum Off-State Leakage Current [@ Rated Voltage]	5mA	
Maximum On-State Voltage Drop [@ Rated Current]	1.7Vrms	
Minimum Off-State dv/dt[@ Maximum Rated Voltage]	500V/μs	

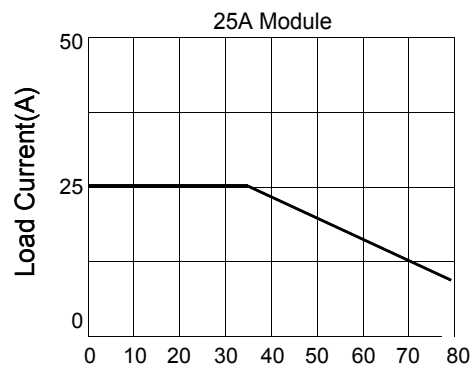
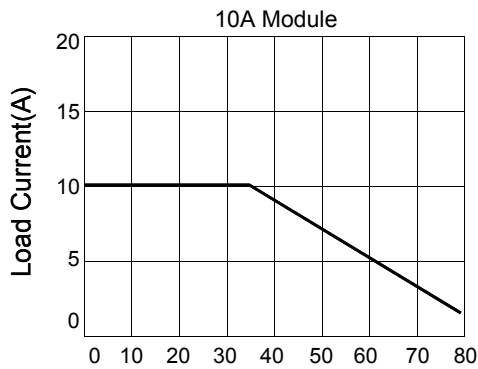
General Information	
Dielectric Strength, Input/Output/Base (50/60Hz)	4000Vrms min.
Ambient Operating Temperature Range	-30°C ~ +80°C
Ambient Storage Temperature Range	-30°C ~ +100°C
Weight (typical)	85g

Application
 High-low Temperature Chamber, Plastics Machinery, Incubation Machine, Oiling Machine, HVAC, Elevator, Lighting, Fountain Controller.

Installation

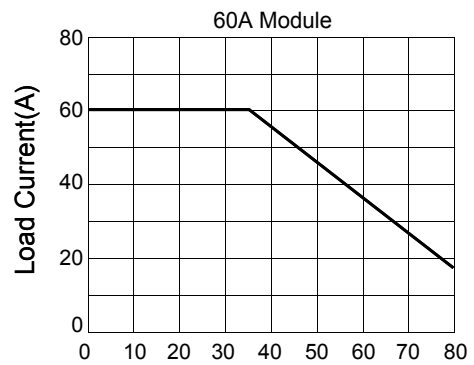
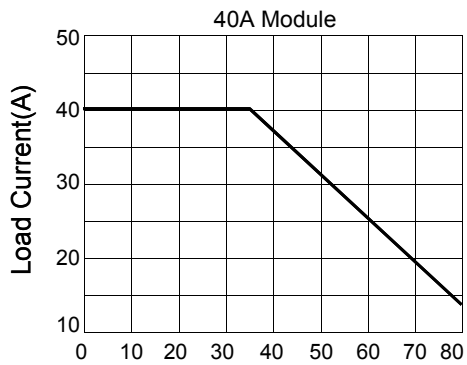


Thermal Curve



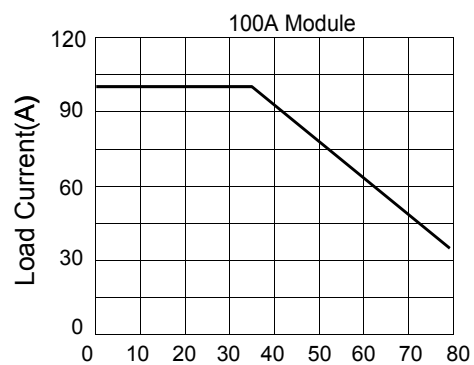
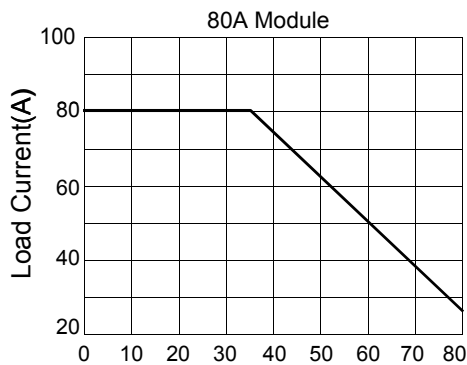
Ambient Temperature (°C)

Ambient Temperature (°C)



Ambient Temperature (°C)

Ambient Temperature (°C)



Ambient Temperature (°C)

Ambient Temperature (°C)

Important Notice

1. When the ambient temperature is over 40°C or many KSI series are installed closely together, the user should take load discount into account according to the thermal curve.
2. If the load current is over 5A, suitable heatsink should be added to the SSR.
3. Plastic cover can be option depends on application to reach IP20.

Product Certification



SONG CHUAN EUROPE GmbH
Im Petersfeld 5
D-65624 Altendiez
Phone: +49 6432 8006 90
Fax: + 49 6432 8006 50
info@songchuan.eu
www.songchuan.eu

This product is a supplementary product for the European market and only available through Song Chuan Europe. It is manufactured by Kudom Electronics Technology, China.

Solid State Relay

KSI600 Series Single Phase AC Output

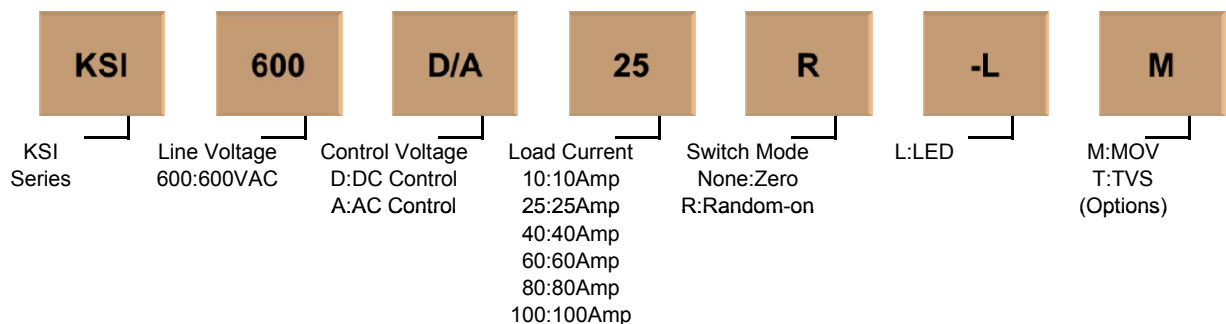


- Zero switching or instant-on
- Load current: 10A-100A @ 48-660VAC
- SCR output for heavy industrial loads
- AC or DC input
- DBC substrate for superior thermal performance
- Opto-isolation: >4000VACrms
- LED indication
- Internal RC/MOV and TVS protection circuit as option

Product Description

KSI600 series industrial single phase relay with SCR output is the most widely used in industry application. The relay can be used for resistive, inductive and capacitive loads. The control input voltage is 4-32VDC or 85-280VAC, output current rate 10A, 25A, 40A, 60A, 80A, 100A @ 48-660VAC.

Product Selection



Description	10A	25A	40A	60A	80A	100A
DC:4-32VDC	KSI600D10	KSI600D25	KSI600D40	KSI600D60	KSI600D80	KSI600D100
	KSI600D10R	KSI600D25R	KSI600D40R	KSI600D60R	KSI600D80R	KSI600D100R
AC:85-280VAC	KSI600A10	KSI600A25	KSI600A40	KSI600A60	KSI600A80	KSI600A100

Technical Specification

Input Circuit

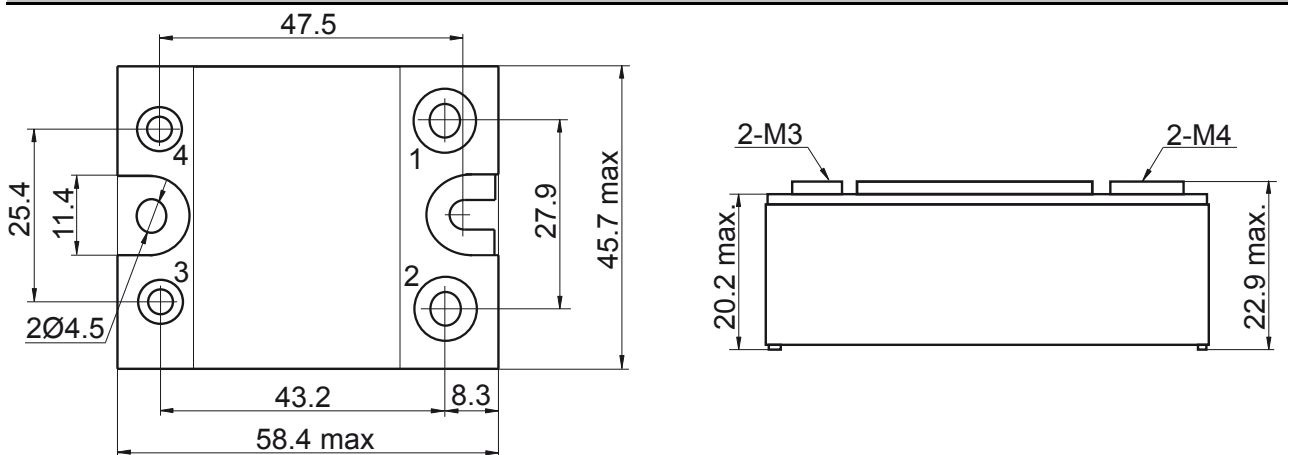
Control Voltage Range	DC Input	4-32VDC
	AC Input	85-280VAC
Minimum Turn-On Voltage	DC Input	4VDC
	AC Input	85VAC
Minimum Turn-Off Voltage	DC Input	1VDC
	AC Input	10VAC
Maximum Input Current	DC Input	25mA
	AC Input	10mA

Output Circuit		
Load Voltage		48-660VAC
Maximum Turn-On Time	DC Input Random-On	1ms
	DC Input Zero-On	1/2AC Cycle + 1ms
	AC Input	20ms
Maximum Turn-Off Time	DC Input	1/2AC Cycle + 1ms
	AC Input	40ms
Maximum Surge Current (@10 ms)	10A	100A
	25A	250A
	40A	400A
	60A	600A
	80A	800A
	100A	1250A
Transient Overvoltage		1800Vpk
Maximum Off-State Leakage Current [@ Rated Voltage]		5mA
Maximum On-State Voltage Drop [@ Rated Current]		1.7Vrms
Minimum Off-State dv/dt[@ Maximum Rated Voltage]		500V/μs

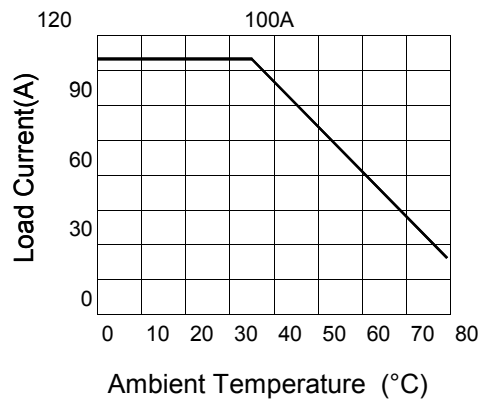
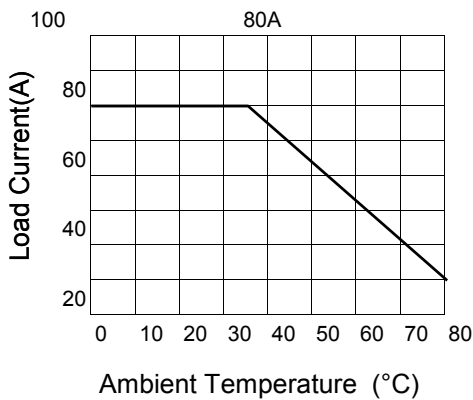
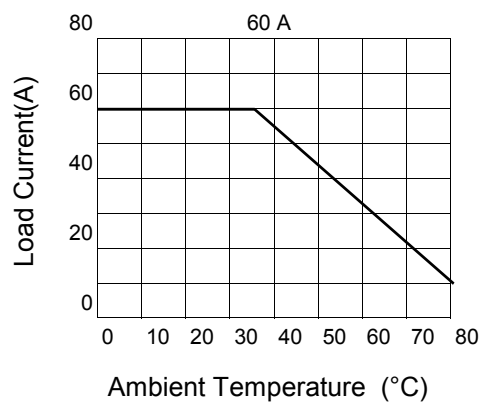
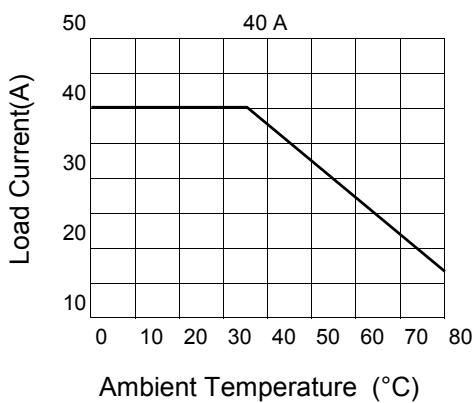
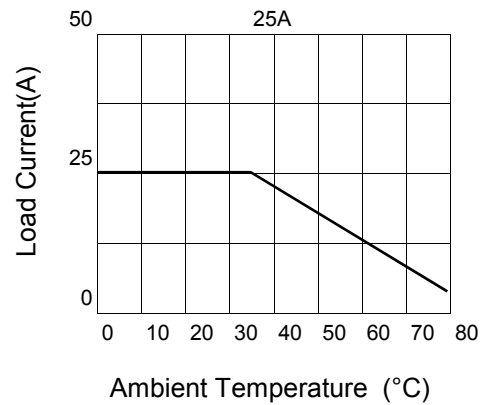
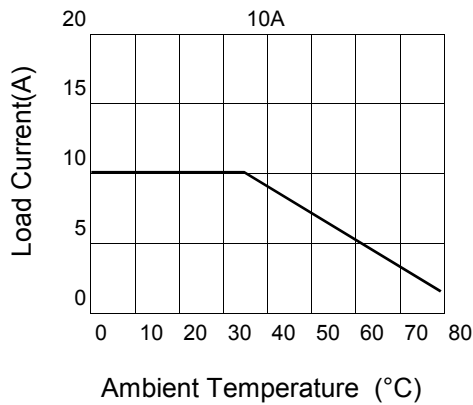
General Information	
Dielectric Strength, Input/Output/Base (50/60Hz)	4000Vrms min.
Ambient Operating Temperature Range	-30°C ~ +80 °C
Ambient Storage Temperature Range	-30°C ~ +100 °C
Weight (typical)	85g

Application
High-low Temperature Chamber, Plastics Machinery, Incubation Machine, Oiling Machine, HVAC, Elevator, Lighting, Fountain Controller.

Installation



Thermal Curve



Important Notice

1. When the ambient temperature is over 40°C or many KSI series are installed closely together, the user should take load discount into account according to the thermal curve.
2. If the load current is over 5A, suitable heatsink should be added to the SSR.
3. Plastic cover can be option depends on application to reach IP20.

Product Certification



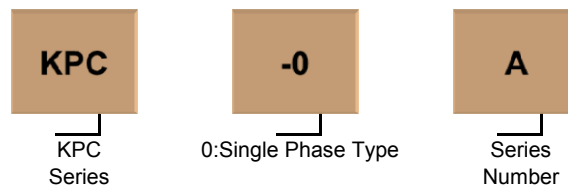
SONG CHUAN EUROPE GmbH
Im Petersfeld 5
D-65624 Altendiez
Phone: +49 6432 8006 90
Fax: + 49 6432 8006 50
info@songchuan.eu
www.songchuan.eu

This product is a supplementary product for the European market and only available through Song Chuan Europe. It is manufactured by Kudom Electronics Technology, China.

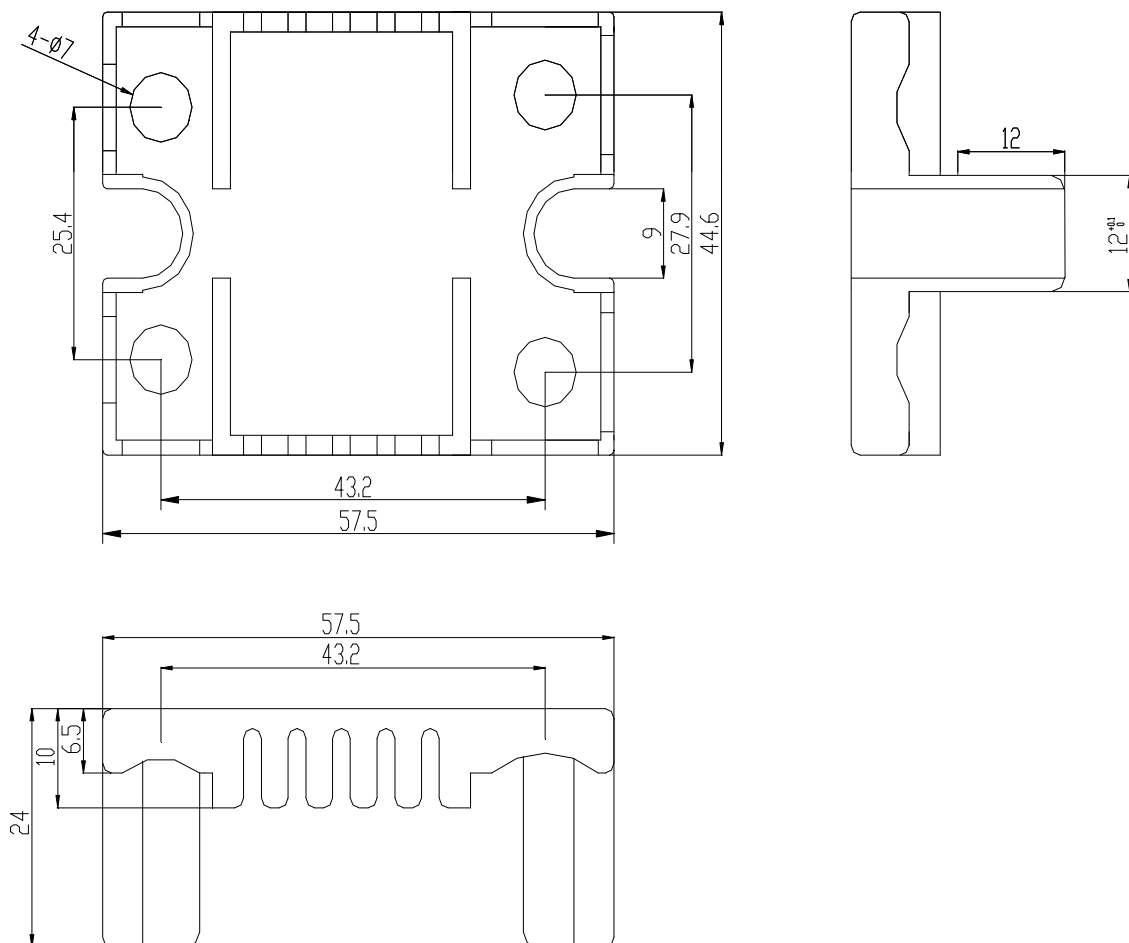
Solid State Relay Accessory Protection Cover

- Apply for KSI, KSJ single phase
- Dimension: 57.5 * 44.6 * 24 mm
- Weight: 9.3 g

Product Selection



KPC-0A (mm)



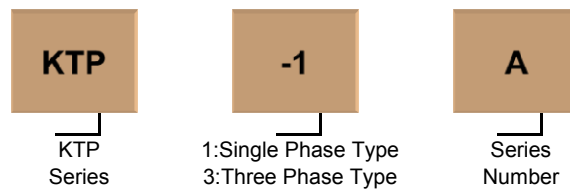
SONG CHUAN EUROPE GmbH
 Im Petersfeld 5
 D-65624 Altendiez
 Phone: +49 6432 8006 90
 Fax: +49 6432 8006 50
info@songchuan.eu
www.songchuan.eu

This product is a supplementary product for the European market and only available through Song Chuan Europe. It is manufactured by Kudom Electronics Technology, China.

Solid State Relay Accessory Thermal Pads

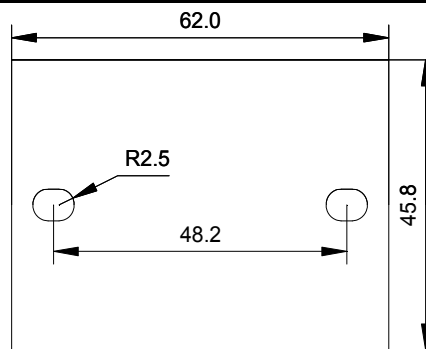
- Low thermal resistance
- KTP-1A apply for KSI KSJ single phase
- KTP-3A apply for KMS, KMT, KMTY, KSQ, KSQC three phase

Product Selection

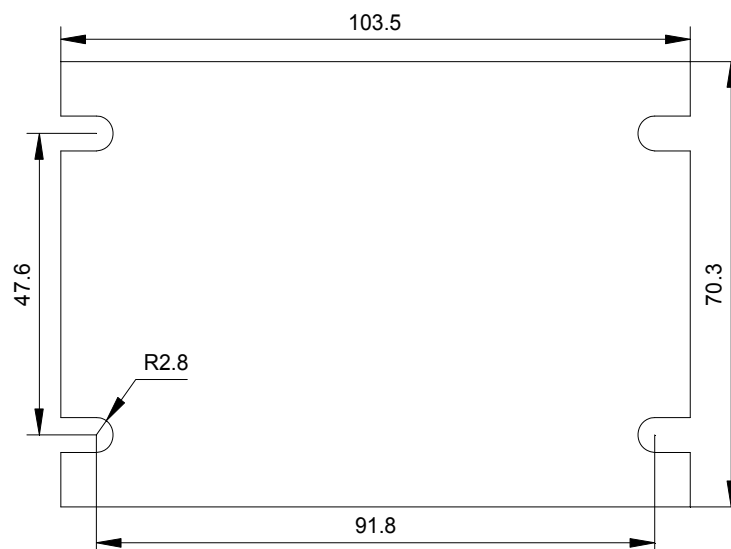


KTP (mm)

KTP-1A



KTP-3A



This product is a supplementary product for the European market and only available through Song Chuan Europe. It is manufactured by Kudom Electronics Technology, China.

SONG CHUAN EUROPE GmbH
Im Petersfeld 5
D-65624 Altendiez
Phone: +49 6432 8006 90
Fax: + 49 6432 8006 50
info@songchuan.eu
www.songchuan.eu