

Data sheet

Connection cable M12 jack straight - free line end 8-pole, X-coded 0.5 m

Page 1/6

P/N

142M2X20005

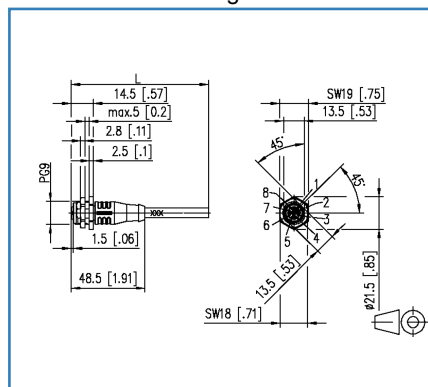
EAN 4250184199441

2017-10-10

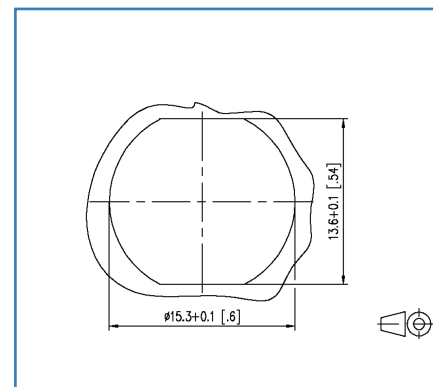
Illustrations



Dimensional drawing



Cut-out



See enlarged drawings at the end of document

Product specification

- shielded M12 Ethernet connection cable
- Cat.6_A, x-coded, 8-pole
- M12-jack, straight on free line end
- M12-jack over molded
- stranded wires 4x2xAWG26/7
- overall shield tinned copper braid
- green cable, PUR
- protective cap included in the delivery
- standard variants: 1.0 m, 2.0 m, 5.0 m, 10.0 m
- other cable lengths on request



Data sheet

Page 2/6

Connection cable M12 jack straight - free line end 8-pole, X-coded 0.5 m

P/N

142M2X20005

EAN 4250184199441

2017-10-10

Technical Data

General Data

Fields of application	Industrial Ethernet
Design	Ethernet-Connection cable
Shielding	shielded
Transmission technology	Copper
Cable Type	S/FTP
Number of twisting elements	4
Twisting element	Pair
Color coding fiber/ wire(s)	white/orange, orange, white/green, green, white/brown, brown, white/blue, blue
Color	green
Dimensions	
Dimension - Interface 2 (L x W x H)	48.50 x 18.00 x 21.50 mm
Dimension - Interface 2 (L x W x H)	1.909 x 0.709 x 0.846 in.
Cable length (m)	0.50 m
Cable length (ft)	1.64 ft

Transmission characteristics

Category (ISO)	6 _A
Transmission rate up to 10 GBit	IEEE 802.3an

Connections/interfaces

Connector technology interface 1	Free line end
Connector technology interface 2	M12-jack
Coding interface 2	X-coded
Number of positions/contacts interface 2	8
Termination data, stranded wire (min. - max.)	
Conductor cross section, stranded wire	AWG 26/7
Conductor cross section, stranded wire	0.141 mm ²
Conductor diameter, stranded wire (bare copper)	0.483 mm
Conductor diameter, stranded wire (bare copper)	0.019 in.
Cable sheath diameter (min. - max.)	
Cable sheath diameter	6.40 mm
Cable sheath diameter	0.236 in.



Data sheet

Page 3/6

Connection cable M12 jack straight - free line end 8-pole, X-coded 0.5 m

P/N

142M2X20005

EAN 4250184199441

2017-10-10

Technical Data

Electrical characteristics

Current carrying capacity	0.5 A
Insulation resistance	min. 100 MOhm

Mechanical characteristics

Bending radius without load	min. 64 mm
-----------------------------	------------

Materials and material properties

Material - Cable jacket	PUR
Material - Body interface 2	Plastics
Material - Contact interface 2	CuZn (brass)
Material - Contact finish interface 2	Au (gold)
Material - Contact carriers interface 2	Plastics
Material - Union nut interface 2	CuZn (brass)
Material - Union nut finish interface 2	Ni (nickel)
Material - Main shield	Cu (copper) braid
Material - Main shield finish	Sn (tin)
Flame retardancy	yes

Environmental conditions

Temperature (min. - max.)	
Temperature - Storage °C	-30 - 90 °C
Temperature - Storage °F	-22 - 194 °F
Temperature - Operating °C	-30 - 90 °C
Temperature - Operating °F	-22 - 194 °F
Particulate ingress interface 2	IP6X when plugged in
Liquid ingress/immersion interface 2	IPX7 when plugged in
Pollution degree interface 2	3

Approvals

RoHS	compliant
------	-----------



Data sheet

Page 4/6

Connection cable M12 jack straight - free line end 8-pole, X-coded 0.5 m

P/N

142M2X20005

EAN 4250184199441

2017-10-10

Technical Data

The product meets the following standards

Generic cabling systems

General requirements	ISO/IEC 11801-1 DIN EN 50173-1
----------------------	----------------------------------

Multi-element metallic cables used in analogue and digital communication and control	DIN EN 50288-4-1
--	------------------

Test for vertical flame propagation for a single insulated wire or cable	DIN EN 60332-1-2
--	------------------

Measurement of smoke density of cables burning	DIN EN 61034
--	--------------

Classifications

ETIM 5.0	EC002599
----------	----------

ETIM 6.0	EC002599
----------	----------

Packing details

Type of packaging	1 pc(s) / plastic bag
-------------------	-----------------------



Data sheet

Page 5/6

Connection cable M12 jack straight - free line end 8-pole, X-coded 0.5 m

P/N

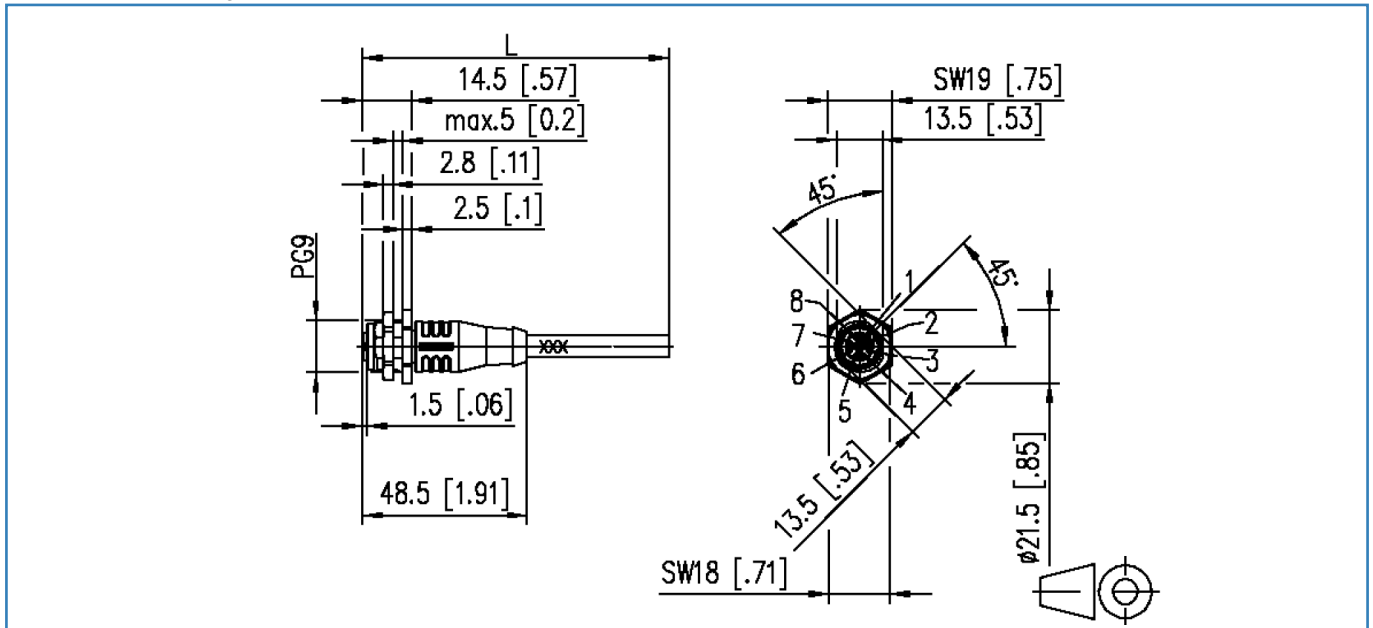
142M2X20005

EAN 4250184199441

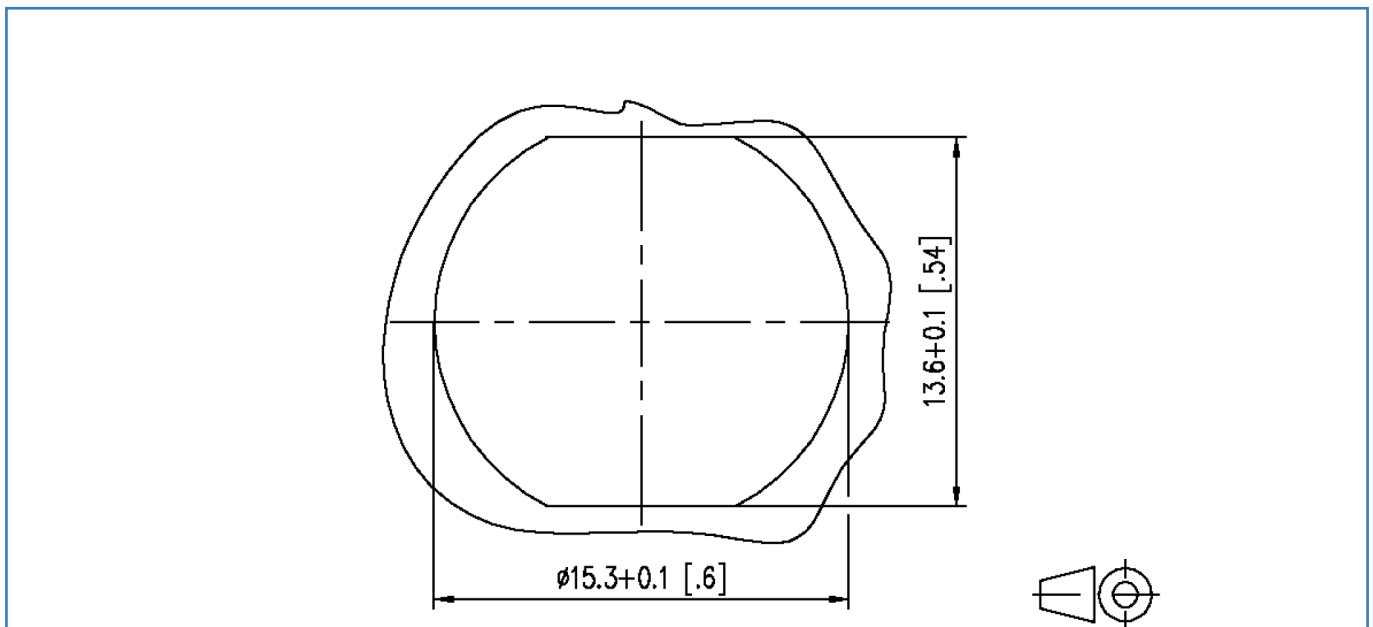
2017-10-10

Illustrations

Dimensional drawing



Cut-out



Data sheet

Page 6/6

Connection cable M12 jack straight - free line end 8-pole, X-coded 0.5 m

P/N

142M2X20005

EAN 4250184199441

2017-10-10

Illustrations

Wiring

