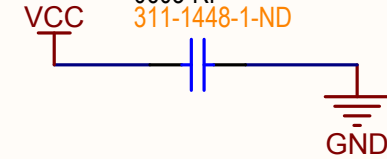
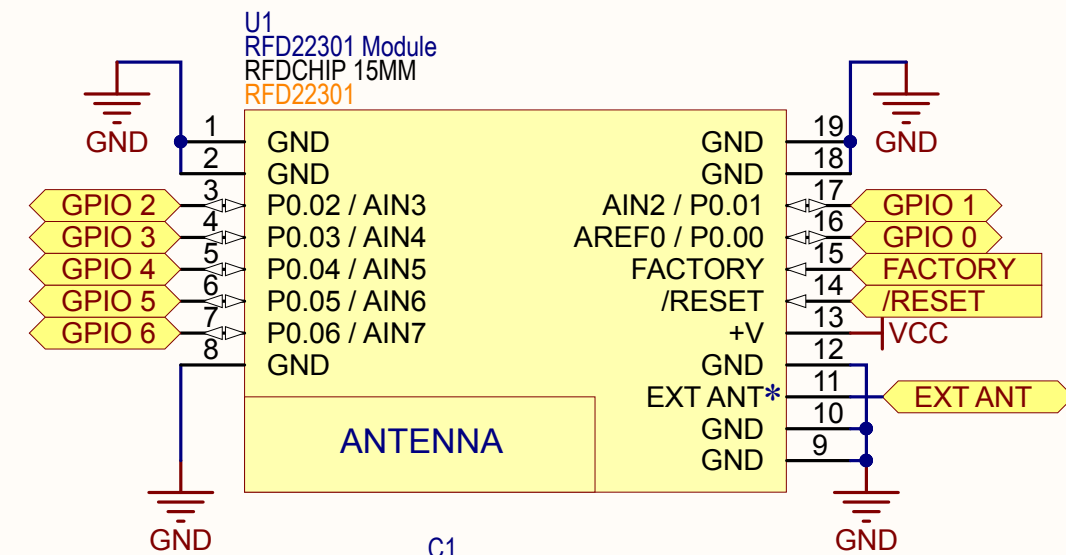
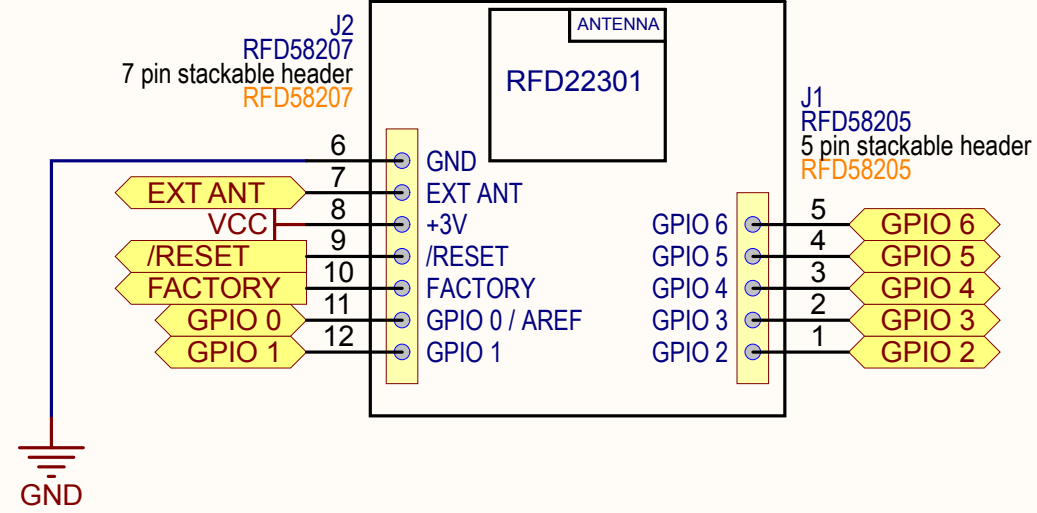


RFduino shield footprint



* External Antenna not connected on the RFD22301 the external antenna is only for the RFD22302 which is not used for the RFduino, however the label is on this sheet for technical accuracy.

RFD22102 - RFduino
12/12/2013 7:26:01 PM
(C) Copyright 2013, www.RFduino.com

Title		R400 B002	
Size	Number	Revision	
A4		A	
Date:	12/12/2013	Sheet 1 of 1	