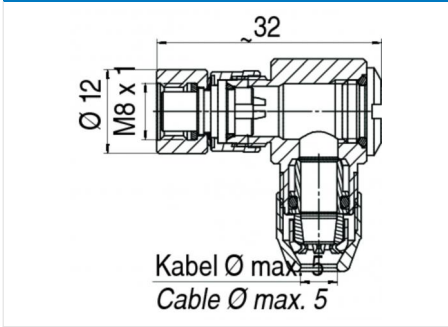


Product description	Contacts: 4, female angled connector, shieldable, solder
Area	M8 Series 768
Order number	99 3366 00 04

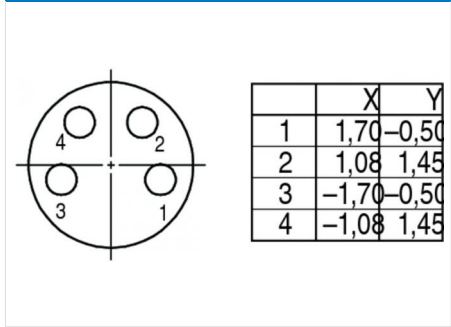
Illustration



Scale drawing



Contact arrangement



You can find the component part drawing and assembly instructions on the next page.

Technical data

General values

Connector design	female angled connector
Connector locking system	bolted
Termination	solder
Wire gauge (mm)	0,25 mm ²
Wire gauge (AWG)	24
Cable outlet	3,5 – 5 mm
Upper limit temperature	85 °C
Lower limit temperature	-40 °C

Electrical values

Rated voltage	60 V
Rated impulse voltage	1500 V
Pollution degree	3
Overvoltage category	III
Insulating material group	III
Rated current (40 °C)	4 A
Volume resistivity	≤ 3 mΩ
EMC compliance	shieldable
Degree of protection	IP67
Mechanical operation	> 100 Mating cycles

Cable data

Approval 1	UL listed
------------	-----------

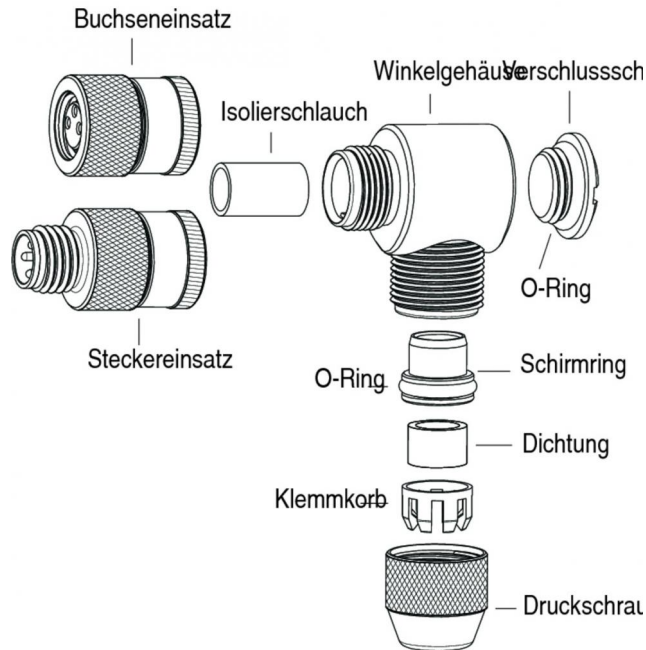
Material

Contact material	CuSn (Bronze)
Contact plating	Au (gold)
Contact body material	PA
Housing material	CuZn (Messing) vernickelt

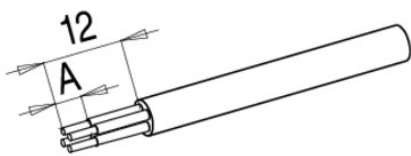
Product description **Contacts: 4, female angled connector, shieldable, solder**

Area **M8 Series 768**
Order number **99 3366 00 04**

Component part drawing



Assembly instructions / Panel cut-out



	Schraubklemmversion <i>screw connection</i>	Lötversion <i>solder version</i>
Maß A/mm <i>measure A/mm</i>	4	3

Product description	Contacts: 4, female angled connector, shieldable, solder
Area	M8 Series 768
Order number	99 3366 00 04

Sicherheitshinweise

2. The connectors are designed for use in plant, control system and electrical equipment. The end user is responsible for checking whether the connectors are suitable for use in other applications.
6. Connectors with degree of protection IP 67 and IP 68 are not suitable for use under water. When used outdoors, the connectors must be separately protected against corrosion. For further information about IP degrees of protection refer to 'Technical support' in the Download Centre.
8. To lock the cable connector to the equipment connector, the threaded ring is tightened until it is 'finger-tight' (approx. 50 cNm).