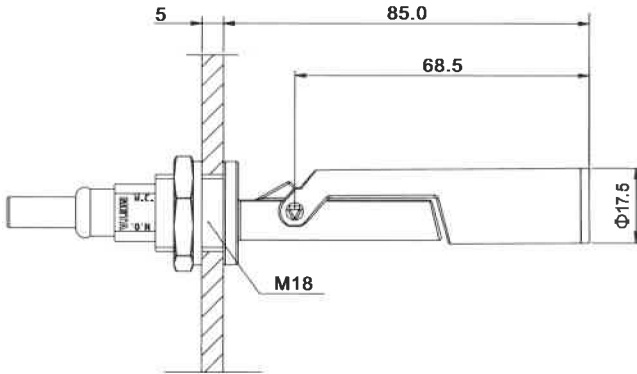


## Float level switches

### Features

LS series is featured for concise structure, delicate design, durable operations, and perfect function. They are extensively installed in the fuel tanks, oil-pressure equipments, chemical and cooling vessels, and etc. Furthermore, they are mostly used to sense substance such as water, oil, and chemicals. There are three different materials of LS series available now for varied needs from customers.

### Dimensions



### Operating Principle

Set up a magnetic reed switch inside the hermetic plastic tube and then anchor the float which is hollow and magnetic in the position related to the magnetic reed switch inside the pole. Liquid makes the float up and down in the fixed range when the specific weight of float is smaller than that of liquid. Use the magnet inside the float which attracts the magnet reed switch to control the level of liquid. NC or NO is the state without any liquid poured.

### Connection

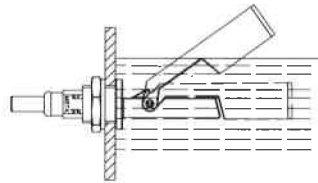
#### PLC

± 3mm

LS series is outputted by magnet reed, and the user can choose the status of NC or NO by the way of mounting. It can connect to the control system such as PLC, Relay, and etc.

Precision : ± 3mm under water

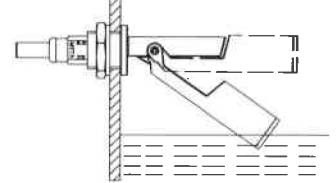
NC



± 1mm

Repetition: ± 1mm under water

NO



Order number	LS0001	LS0002	LS0003
Type	Standard	High temperature	Strong acid / alkali
Sensing medium	Liquid		
Electrical design	DC / 交流 AC		
Output	NO / 常閉 NC		
Operating voltage	Max. 240V AC/DC		
Current rating	0.5A (240V AC/DC)		
Socket	M18 Thread		
Capacity	70W		
Sensing degree	± 30°		
Storage humidity	20%~70%		
Operating humidity	20%~70%		
Operating temperature	-20℃~80℃	-20℃~120℃	-20℃~100℃
Ambient temperature	-20℃~80℃	-20℃~120℃	-20℃~100℃
Ambient pressure	10 bar		
Contact resistance	80 Ω		
Housing material	PBT+30%GF	PA66+30%GF	PTFE+30%GF
Connection	1米PVC Cable	1米PUR Cable	1米PUR Cable
Protection classification	IP68		
Certification	CE、RoHS		

Notice: PTFE is allowed to be used under the conditions with PH 0~14.