

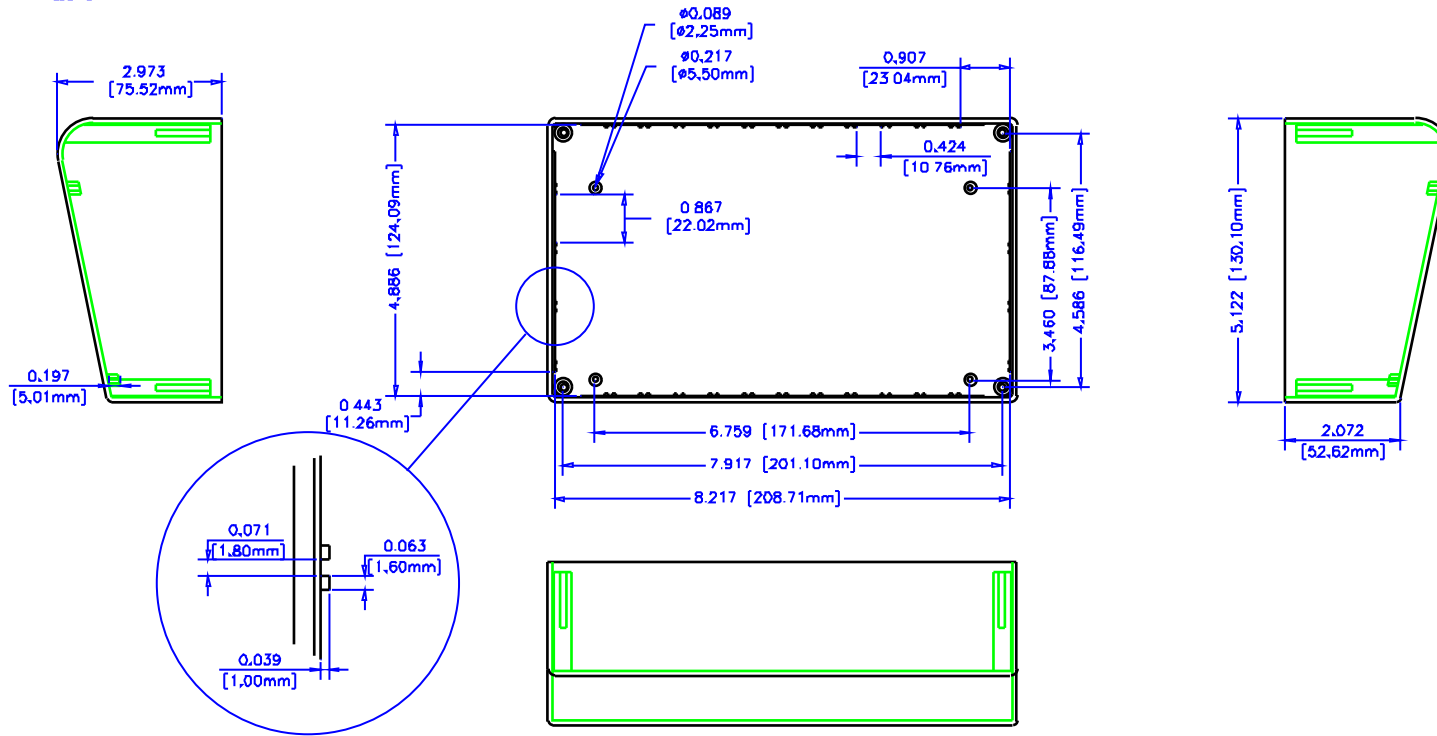
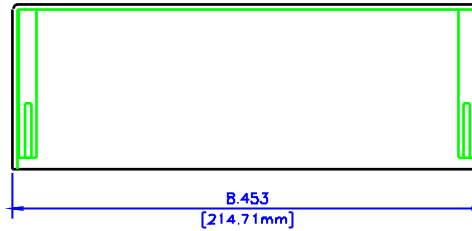
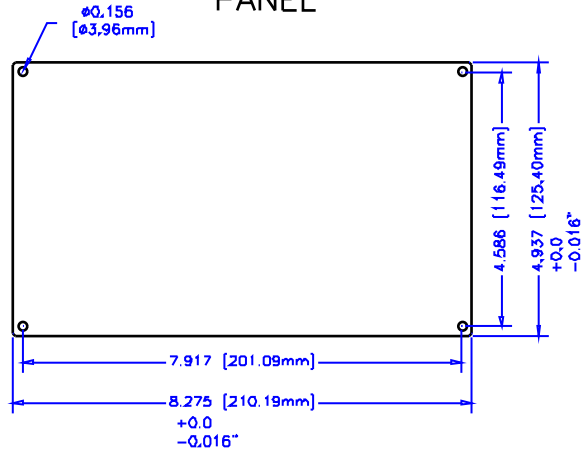
# NOTES

**MATERIAL** (ABS) FLAME RETARDANT UL94 V0 MATERIAL WITH BRASS INSERTS IN CORNER POSTS.

**PARTS** MACHINE SCREWS M3-0.5 x 8mm, REPLACEMENT P/N: 1595MS100 (100 / BAG), ALUMINUM PANEL TYPE 5005H32 ACCESSORY INTERNAL BOSS SCREW P/N: 159BATS100 (100 / BAG)

**COLORS** BLACK, & GRAY. PANEL IS NATURAL ALUMINUM

## PANEL



UNLESS OTHERWISE SPECIFIED  
DIMENSIONS ARE IN INCHES  
FRACTIONS  
DECIMALS  
ANGLES  
TOLERANCES  
NOTES  
HARDWARE CLASSIFICATION RIGHTS TO THE MANUFACTURER OF THIS DRAWING. IT IS INTENDED TO BE USED AS A REFERENCE FOR CONSTRUCTION INFORMATION ONLY. THIS INFORMATION MAY NOT BE USED TO MANUFACTURE PRODUCT WITHOUT EXPRESS PERMISSION FROM HAMMOND MANUFACTURING.

**HAMMOND MANUFACTURING**

WEB: [WWW.HAMMONDMFG.COM](http://WWW.HAMMONDMFG.COM)

TITLE: HAMMOND 1595 SERIES PLASTIC ENCLOSURE	
DRAWN BY: MJM	DATE: 09/26/00
SCALE:	PAGE: 1 OF 1
PART NUMBER:	1595E