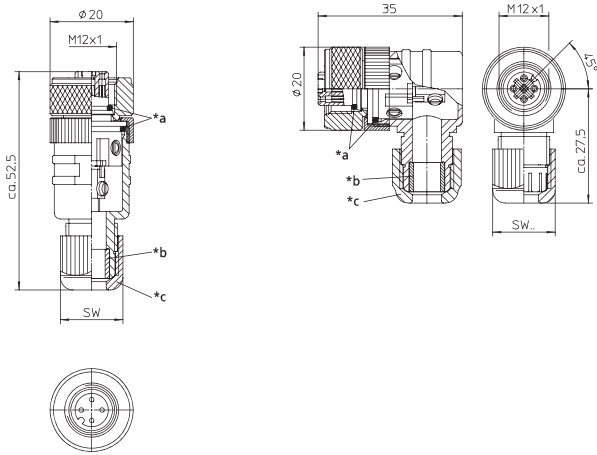


RKC / RKCW 3-, 4-, 5- and 8-Pole

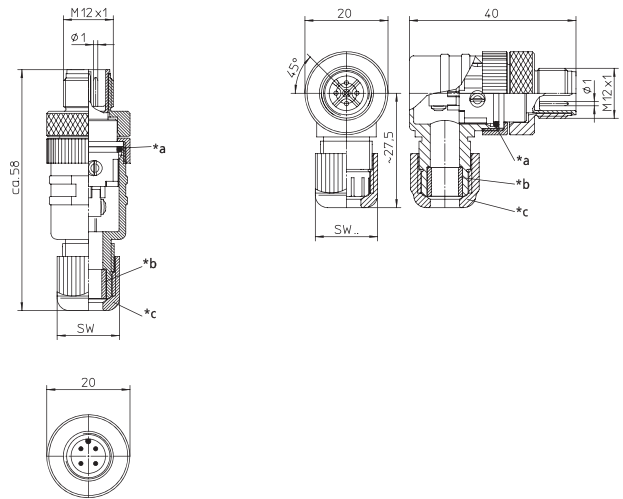
Micro (M12), Field Attachable, Female Straight and Right Angle, 3-, 4-, 5- and 8-pole, for up to 18 AWG / 20 AWG wires, IP 67 and NEMA 6P rated.



- *a O-ring
- *b Gasket
- *c Cap nut

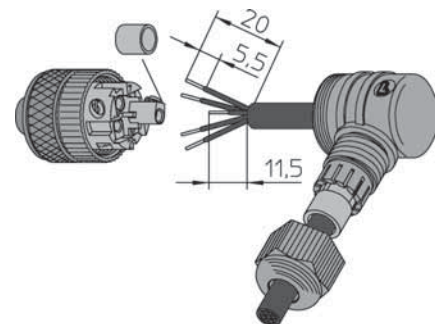
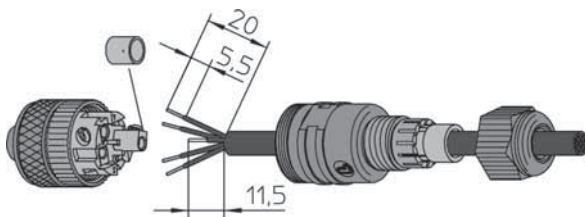
RSC / RSCW 3-, 4-, 5- and 8-Pole

Micro (M12), Field Attachable, Male, Straight and Right Angle, 3-, 4-, 5- and 8-pole, for up to 18 AWG / 20 AWG wires, IP 67 and NEMA 6P rated.



- *a O-ring
- *b Gasket
- *c Cap nut

- *a O-ring
- *b Gasket
- *c Cap nut









Pin Assignment

Micro (M12) Female / Male



Technical Data		Electrical	
Degree of protection	IP 67 / NEMA 6P	Contact resistance	≤5mΩ
Operating temperature range	-40°C (-40°F) / +90°C (+194°F)	Current rating	3-5 pole: 4 A 8 pole: 2 A
Mechanical		Voltage rating	3-4 pole: 240V 5 pole: 60 V 8 pole: 30 V
Housing	PA		
Insert	PA		
Contact	Brass, pre-coppered, 8-poles: pre-nickeled, gold plated		
Coupling nut	Brass, nickel-plated		
O-ring	FKM		
Mode of connection	screw terminals		
Connectable conductor	3-5 poles: max. 0.75 mm ² (18 AWG) 8 poles: max. 0.50 mm ² (20 AWG)		

Part Number			Cable Diameter Range	Poles
RKC 4/3 /7	 	RSC 3/7	.118" - .256" (3.0 - 6.5 mm)	3
RKC 4/3 /9	 	RSC 3/9	.158" - .315" (4.0 - 8.0 mm)	
RKCW 4/3 /7	 	RSCW 3/7	.118" - .256" (3.0 - 6.5 mm)	
RKCW 4/3 /9	 	RSCW 3/9	.158" - .315" (4.0 - 8.0 mm)	
RKC 4/7	 	RSC 4/7	.118" - .256" (3.0 - 6.5 mm)	4
RKC 4/9	 	RSC 4/9	.158" - .315" (4.0 - 8.0 mm)	
RKCW 4/7	 	RSCW 4/7	.118" - .256" (3.0 - 6.5 mm)	
RKCW 4/9	 	RSCW 4/9	.158" - .315" (4.0 - 8.0 mm)	
RKC 5/7	 	RSC 5/7	.118" - .256" (3.0 - 6.5 mm)	5
RKC 5/9	 	RSC 5/9	.158" - .315" (4.0 - 8.0 mm)	
RKCW 5/7	 	RSCW 5/7	.118" - .256" (3.0 - 6.5 mm)	
RKCW 5/9	 	RSCW 5/9	.158" - .315" (4.0 - 8.0 mm)	
RKC 8/9		RSC 8/9	.158" - .315" (4.0 - 8.0 mm)	8
RKCW 8/9		RSCW 8/9	.158" - .315" (4.0 - 8.0 mm)	