



## 7/8" (22mm) Precision Wirewound Potentiometer



**FEATURES**

- Special Resistance Tolerances to 1%
- Rear Shaft Extensions and Support Bearing
- Non Turn Lug
- Insulating Plastic Shaft
- Special Independent Linearity to  $\pm 0.75\%$
- Dual Gang Configuration and Concentric Shafts
- High Torque and Center Tap
- Special Markings and Front Shaft Extensions
- Servo Unit available and Slipping Clutch

<b>ELECTRICAL SPECIFICATIONS</b>			
PARAMETER	MODEL 533	MODEL 534	MODEL 535
Resistance Range Standard Values	50 $\Omega$ to 20K $\Omega$	100 $\Omega$ to 100K $\Omega$	50 $\Omega$ to 50K $\Omega$
Capability Range	5 $\Omega$ to 60K $\Omega$	10 $\Omega$ to 200K $\Omega$	5 $\Omega$ to 100K $\Omega$
Standard Tol	$\pm 5\%$	$\pm 5\%$	$\pm 5\%$
Linearity (Independent)	$\pm 0.25\%$	$\pm 0.25\%$	$\pm 0.25\%$
Noise	100 $\Omega$ ENR	100 $\Omega$ ENR	100 $\Omega$ ENR
Rotation (Electrical & Mechanical)	$\pm 2\%$	Special $\pm 2\%$	$\pm 2\%$
Power Rating (@ 70°C)	1.0 watts	2.0 watts	1.5 watts
Additional Sections	75% of section 1		
Insulation Resistance	1000M $\Omega$ minimum 500VDC		
Dielectric Strength	1000V <sub>RMS</sub> minimum 60Hz		
Absolute Minimum Resistance	Not to exceed linearity x total resistance or 1 $\Omega$ , whichever is greater		
Tempco	20ppm/°C (standard values, wire only)		
End Voltage	0.25% of total applied voltage, maximum		
Phasing	CCW end points - section 2 phased to section 1 within $\pm 2^\circ$		
Taps	Center tap only		

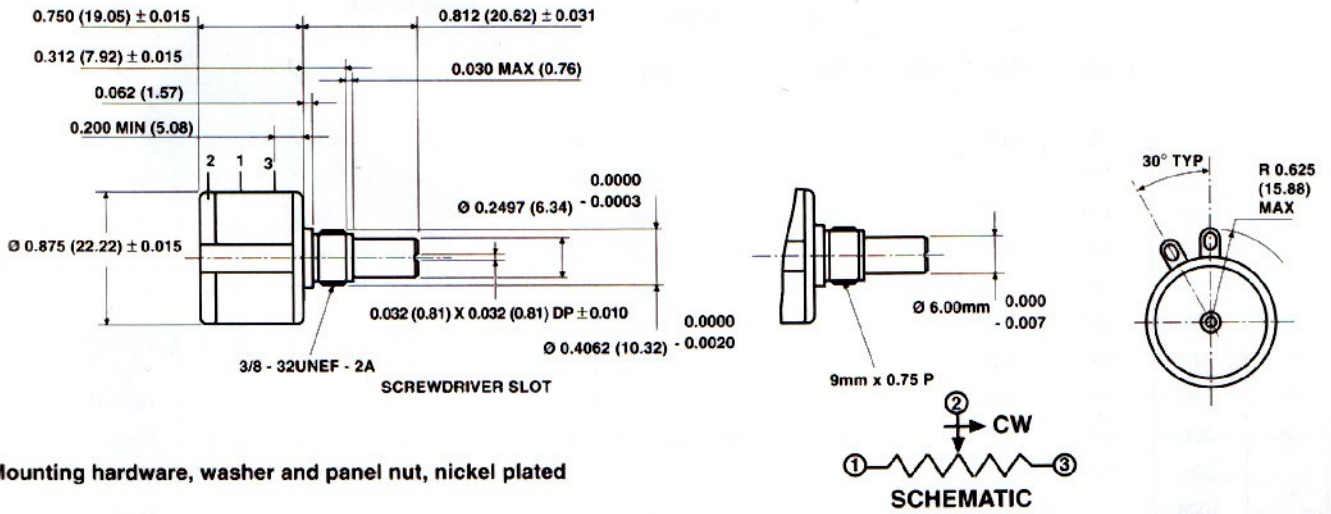
<b>MARKING</b>	
<b>Unit Identification</b>	Manufacturer's name and model number, resistance value and tolerance, linearity specification date code and terminal identification

<b>RESISTANCE VALUES</b>	
<b>Ohms</b>	
<b>533:</b>	50R, 100R, 200R, 500R, 1K, 2K, 5K, 10K, 20K
<b>534:</b>	100R, 200R, 500R, 1K, 2K, 5K, 10K, 20K, 50K, 100K
<b>535:</b>	50R, 100R, 200R, 500R, 1K, 2K, 5K, 10K, 20K, 50K

<b>ORDERING INFORMATION</b>			
The Models 533 (3 turn), 534 (10 turn) and 535 (5 turn) can be ordered by stating			
<b>534</b>	<b>1</b>	<b>2</b>	<b>XXX</b>
MODEL	MOUNTING	NUMBER OF SECTIONS	RESISTANCE EIA CODE SECTION #N
	1. Bushing 2. Servo		(consult factory)



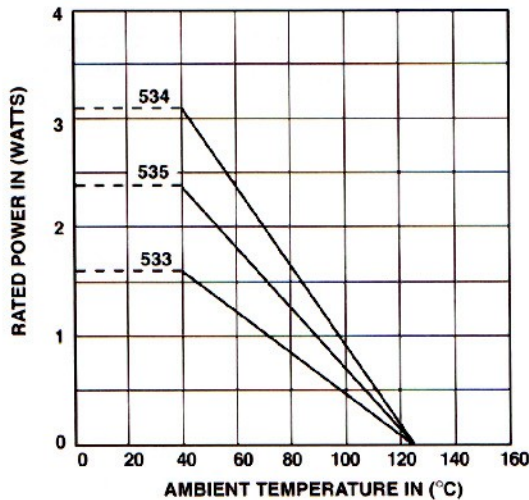
**DIMENSIONS** in millimeters



Mounting hardware, washer and panel nut, nickel plated

MECHANICAL SPECIFICATIONS		
PARAMETER		
Bearing Type Bushing	Sleeve bearing	
Torque (maximums): starting	<b>534</b>	<b>533/535</b>
Section 1	0.5 oz - in (36gm - cms)	0.7 oz - in (50gm - cms)
Section 2	0.9 oz - in (65gm - cms)	1.1 oz - in (79gm - cms)
Weight (maximums)		
Section 1	0.75 oz (21.26gm)	
Section 2	1.25 oz (35.44gm)	
Stop Strength	75 oz - in (static) (5.4Kgm - cm)	
Ganging	2 sections maximum	

**POWER RATING CHART**



ENVIRONMENTAL SPECIFICATIONS	
Vibration	15g thru 2000Hz
Shock	50g
Rotational Life (Shaft Revolution)	
533	300,000
534	1,000,000
535	500,000
Load Life	900 Hours
Operating Temperature Range	- 55°C to + 125°C
Moisture Resistant Salt Spray	96 Hours