

Brought to you by

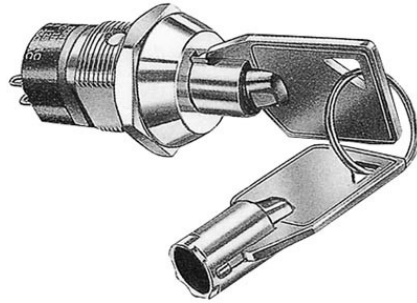


COMMUNICA
A World of Electronics

Web: www.communica.co.za || Email: info@communica.co.za

Round Standard Key Switch

IGS206A-1



DESCRIPTIONS:

- Zinc alloy die cast housing and cylinder.
- Bright chrome plated standard.
- 7 pin tumbler mechanism.
- Steel made tubular keys, nickel plated.
- Key may be withdrawn in one or both positions.
- Silver plated contacts and terminals.
- 2 position (off-on) 4 terminals. (2NO 2NC)
- Hex nut or speed clip mounted.
- 10000 combinations available.

KEY-PULL FIGURES

- -Off Position
- ┃ -Indicates Key-Pull
- -Indicates No Key-Pull



IN TAY

Fig. No.	Lock Number	Pole	Positions	Terminals	Key Pulls	Turn	⬆	⬆	Type
1	S206A-1	2	2	4	1	90 °X	Off	On	SPST
2	S206A-2	2	2	4	2	90 °X	Off	On	SPST

Unit: mm

HOLE SIZE

