

ZK-502C HIFI 2.0 stereo TPA3116D2 BT Digital Amplifier 50W*2

HIFI 2.0 Bluetooth Digital Amplifier TPA3116

50W+50W

AUX+Bluetooth



Supply voltage: 5-27V
Speaker resistance: 4~16Ω
Speaker power: 30W~200W

 **Bluetooth 5.0**

Catalogue

ZK-502C HIFI 2.0 stereo TPA3116D2 BT Digital Amplifier 50W*2	1
Catalogue.....	2
Product parameters	3
Schematic diagram of panel opening.....	4
Product details	5
Installation diagram and installation list	6

1. Product parameters

Product parameters



Product Name: HIFI with filter 2x50W BT digital power amplifier board

Product model: ZK-502C

Chip solution: TPA3116D2 (with AM interference suppression)

With or without filter: Yes (filtered sound is more round and clear)

Adaptation supply voltage: 5~27V (optional 9V/12V/15V/18V/24V adapter, high power recommended high voltage)

Adapter speaker: 30W~200W, 4Ω, 8Ω

Number of channels: left and right stereo (stereo)

Bluetooth version: 5.0

Bluetooth transmission distance: 15 meters (without occlusion)

Protection mechanism: overvoltage, undervoltage, overheating, DC detection, short circuit protection

Size: 82mm*50mm*18mm

Shipping weight (including box and accessories): 111g (shell version), 83g (without shell version)

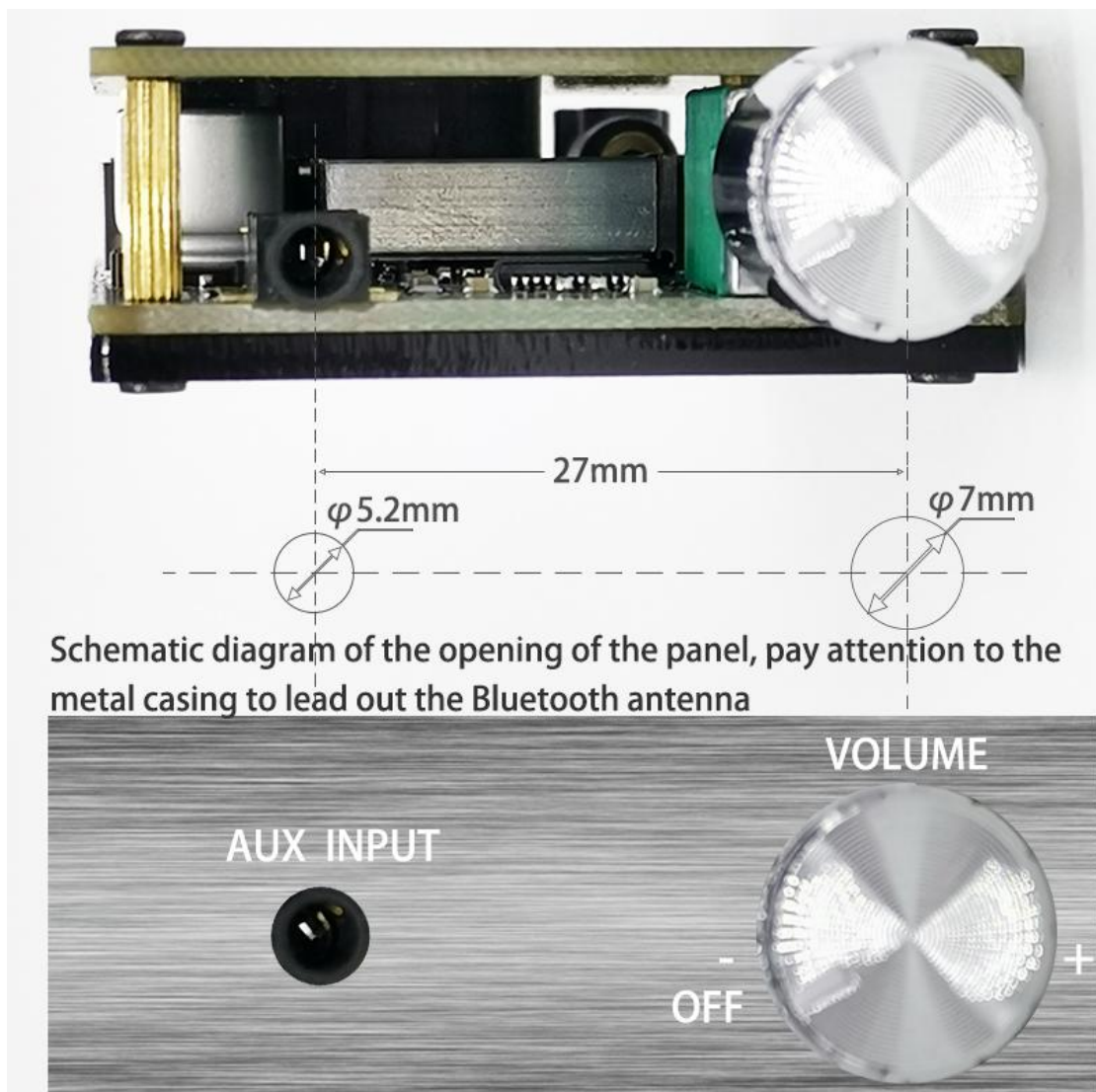
Tip: To have enough output power if the audio input is sufficient and the supply voltage/current is sufficient. The power supply voltage is higher and the relative power will be larger. The speakers with different impedances will have different output power. In the case of sufficient voltage and current, the larger the ohms of the horn, the smaller the relative sound power. Please pay attention!

Power supply voltage: 12V ----- 8 ohm speaker / 12W (left channel) + 12W (right channel), 4 ohm speaker / 20W + 20W

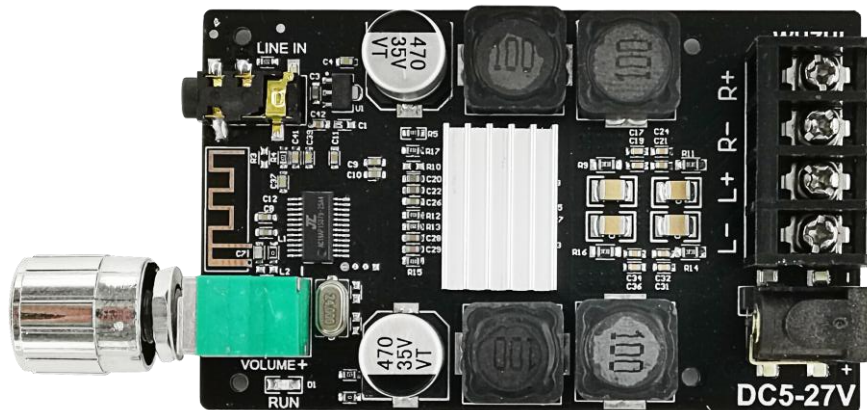
15V ----- 8 ohms / 18 + 18W, 4 ohms / greater than 30 + 30W

19V ----- 8 ohms / 32 + 32W, 4 ohms / greater than 45 + 45W

2. Schematic diagram of panel opening

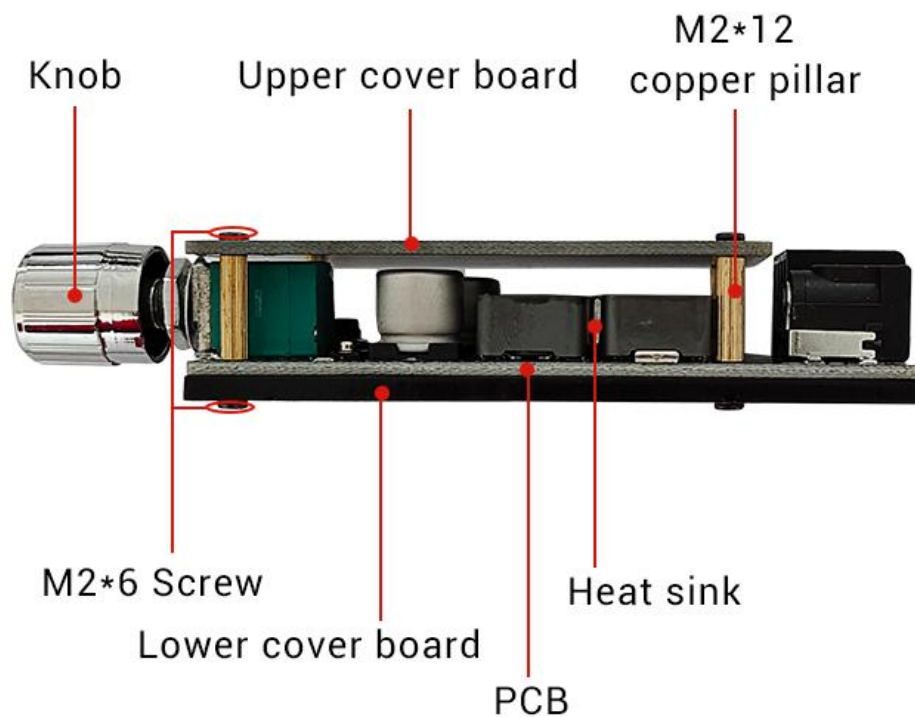


3. Product details



1. All copper DC plug, the contact point is not hot
2. High-end fence terminals, easy to wire, do not hurt the line, the adjacent wires are not easy to short circuit.

4. Installation diagram and installation list



Free screwdriver and DC(5.5*2.1) head line



This device complies with part 15 of the FCC Rules. Operation is subject to the following two conditions: (1) this device may not cause harmful interference, and (2) this device must accept any interference received, including interference that may cause undesired operation.

Any changes or modifications not expressly approved by the party responsible for compliance could void the user's authority to operate the equipment.

NOTE: This equipment has been tested and found to comply with the limits for a Class B digital device, pursuant to Part 15 of the FCC Rules. These limits are designed to provide reasonable protection against harmful interference in a residential installation. This equipment generates, uses and can radiate radio frequency energy and, if not installed and used in accordance with the instructions, may cause harmful interference to radio communications.

However, there is no guarantee that interference will not occur in a particular installation.

If this equipment does cause harmful interference to radio or television reception, which can be determined by turning the equipment off and on, the user is encouraged to try to correct the interference by one or more of the following measures:

- Reorient or relocate the receiving antenna.
- Increase the separation between the equipment and receiver.
- Connect the equipment into an outlet on a circuit different from that to which the receiver is connected.
- Consult the dealer or an experienced radio/TV technician for help.

The device has been evaluated to meet general RF exposure requirement. The device can be used in portable exposure condition without restriction