

Siemens  
EcoTech



indicator light, 22 mm, round, metal, shiny, red, lens, smooth, with holder, LED module with integrated LED 24 V AC/DC, screw terminal

product brand name	SIRIUS ACT
product designation	Indicator lights
design of the product	Complete unit
product type designation	3SU1
product line	Metal, shiny, 22 mm
manufacturer's article number	
• of supplied LED module	<a href="#">3SU1401-1BB20-1AA0</a>
• of the supplied holder	<a href="#">3SU1550-0AA10-0AA0</a>
• of supplied repeater	<a href="#">3SU1051-6AA20-0AA0</a>
<b>Enclosure</b>	
number of command points	1
<b>Actuator</b>	
product extension optional light source	Yes
color	
• of the actuating element	red
material of the actuating element	plastic
shape of the actuating element	round
outer diameter of the actuating element	29.45 mm
<b>Front ring</b>	
product component front ring	No
<b>Holder</b>	
material of the holder	Plastic
<b>Display</b>	
number of LED modules	1
<b>General technical data</b>	
product component light source	Yes
insulation voltage rated value	320 V
degree of pollution	3
surge voltage resistance rated value	4 kV
protection class IP	IP66, IP67, IP69(IP69K)
protection class IP of the terminal	IP20
degree of protection NEMA rating	1, 2, 3, 3R, 4, 4X, 12, 13
shock resistance	
• according to IEC 60068-2-27	sinusoidal half-wave 15 g / 11 ms
vibration resistance	
• according to IEC 60068-2-6	10 ... 500 Hz: 5 g

reference code according to IEC 81346-2	P
Substance Prohibittance (Date)	10/01/2014
SVHC substance name	Lead monoxide (lead oxide) CAS-No. 1317-36-8 2-methyl-1-(4-methylthiophenyl)-2-morpholinopropan-1-one CAS-No. 71868-10-5
Net Weight	58 g
<b>Supply voltage</b>	
type of voltage of the supply voltage of the light source	AC/DC
<b>supply voltage of the light source at AC</b>	
• at 50 Hz rated value	24 V
• at 60 Hz rated value	24 V
• at 60 Hz rated value	24 V
<b>supply voltage of the light source at DC rated value</b>	
•	24 V
•	24 V
<b>relative negative tolerance of the supply voltage</b>	20 %
<b>relative positive tolerance of the supply voltage</b>	20 %
<b>Control circuit/ Control</b>	
<b>inrush current maximum</b>	2 A
<b>Connections/ Terminals</b>	
<b>type of electrical connection</b>	other
• of modules and accessories	Screw-type terminal
<b>type of connectable conductor cross-sections</b>	
• solid with core end processing	2x (0.5 ... 0.75 mm <sup>2</sup> )
• solid without core end processing	2x (1.0 ... 1.5 mm <sup>2</sup> )
• finely stranded with core end processing	2x (0.5 ... 1.5 mm <sup>2</sup> )
• finely stranded without core end processing	2x (1,0 ... 1,5 mm <sup>2</sup> )
• for AWG cables	2x (18 ... 14)
<b>tightening torque of the screws in the bracket</b>	1 ... 1.2 N-m
tightening torque with screw-type terminals	0.8 ... 0.9 N-m
<b>Lamp</b>	
<b>type of light source</b>	LED
<b>color of the light source</b>	red
<b>light intensity</b>	450 ... 1 120 mcd
<b>Ambient conditions</b>	
<b>ambient temperature</b>	
• during operation	-25 ... +70 °C
• during storage	-40 ... +80 °C
environmental category during operation according to IEC 60721	3M6, 3S2, 3B2, 3K6 (with relative air humidity of 10 ... 95%, no condensation in operation permitted for all devices behind front panel)
<b>Installation/ mounting/ dimensions</b>	
<b>fastening method</b>	front plate mounting
• of modules and accessories	Front plate mounting
<b>height</b>	40 mm
<b>width</b>	30 mm
<b>shape of the installation opening</b>	round
<b>mounting diameter</b>	22.3 mm
<b>positive tolerance of installation diameter</b>	0.4 mm
<b>mounting height</b>	11.8 mm
<b>installation width</b>	29.5 mm
<b>installation depth</b>	49.7 mm
<b>Approvals Certificates</b>	
Environmental Product Declaration	
• global warming potential [CO2 eq] / during manufacturing	0.625 kg
• global warming potential [CO2 eq] / during operation	0.235 kg
• global warming potential [CO2 eq] / after end of life	-0.267 kg
• global warming potential [CO2 eq] / total	0.593 kg
<b>Environment</b>	<b>General Product Approval</b>

[Environmental Con-  
firmations](#)



Maritime application

other



[Confirmation](#)

#### Further information

Information on the packaging

<https://support.industry.siemens.com/cs/ww/en/view/109813875>

Information for data generation and storage

<https://support.industry.siemens.com/cs/ww/en/view/109995012>

Information- and Downloadcenter (Catalogs, Brochures,...)

<https://www.siemens.com/ic10>

Industry Mall (Online ordering system)

<https://mall.industry.siemens.com/mall/en/en/Catalog/product?mlfb=3SU1152-6AA20-1AA0>

Cax online generator

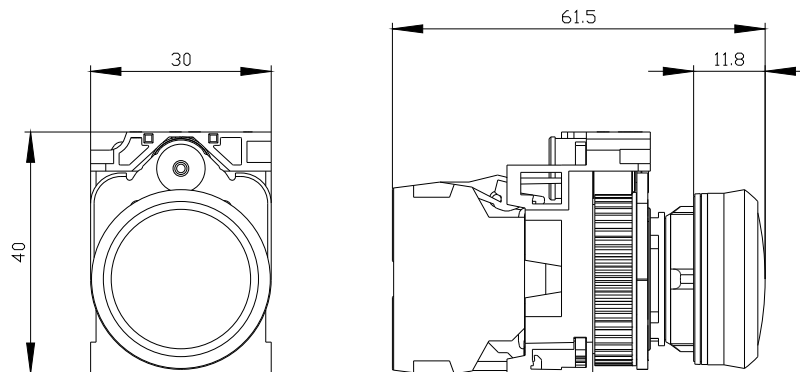
<https://support.automation.siemens.com/WW/CAXorder/default.aspx?lang=en&mlfb=3SU1152-6AA20-1AA0>

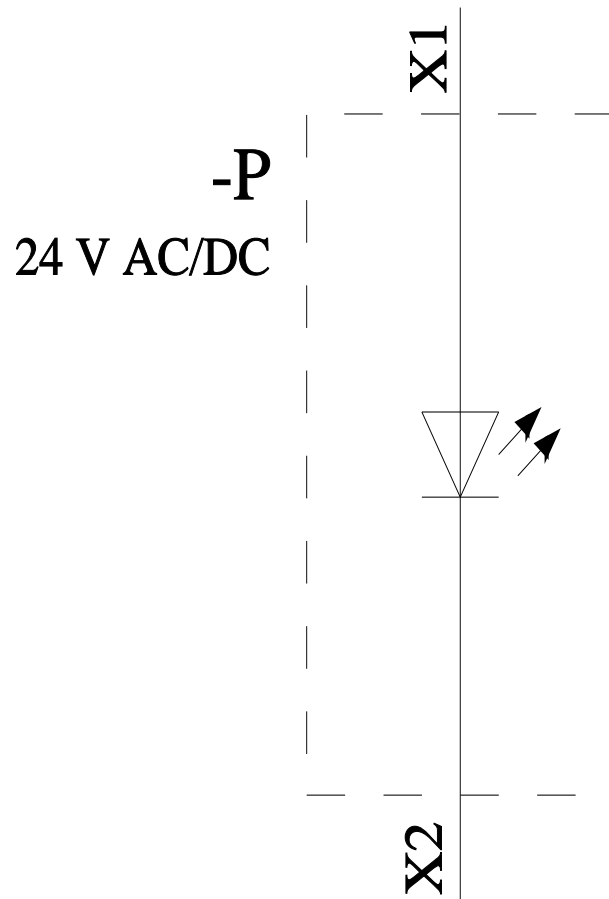
Service&Support (Manuals, Certificates, Characteristics, FAQs,...)

<https://support.industry.siemens.com/cs/ww/en/ps/3SU1152-6AA20-1AA0>

Image database (product images, 2D dimension drawings, 3D models, device circuit diagrams, EPLAN macros, ...)

[https://www.automation.siemens.com/bilddb/cax\\_de.aspx?mlfb=3SU1152-6AA20-1AA0&lang=en](https://www.automation.siemens.com/bilddb/cax_de.aspx?mlfb=3SU1152-6AA20-1AA0&lang=en)





last modified:

4/4/2026 