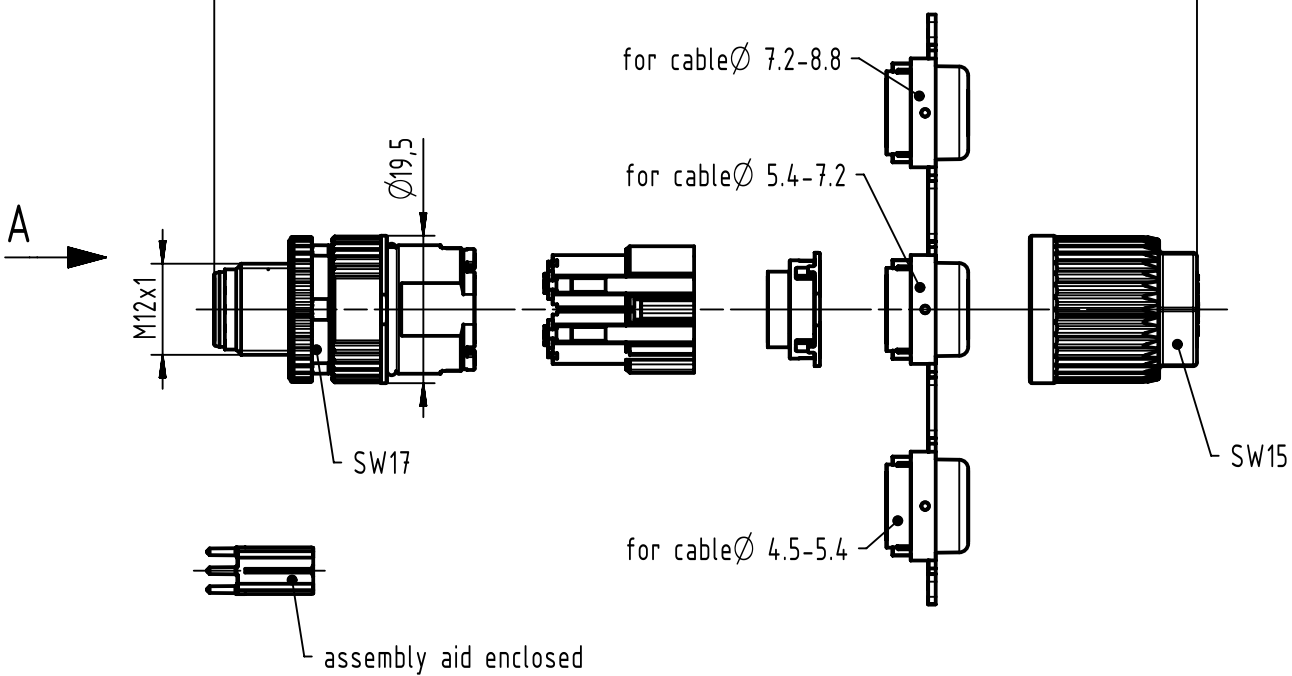
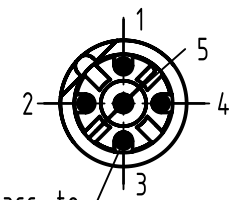


1 2 3 4 5 6

complete length when assembled app. 44.8mm



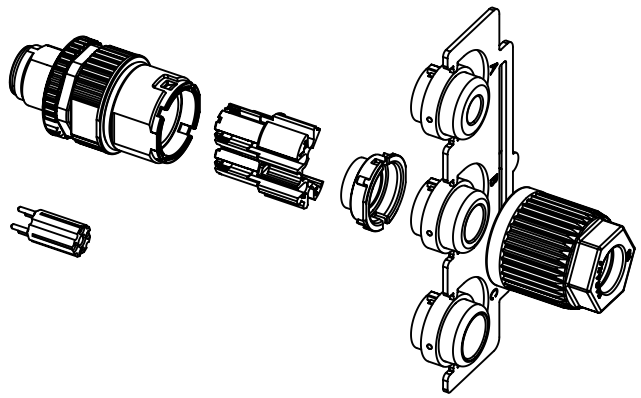
A (2:1)



Contact face acc. to IEC 61076-2-101

order contacts separately

cable Ø	wire gauge	part-no.
4.5 - 8.8mm	AWG 26-22	09670005576
	AWG 24-20	09670008576
	AWG 22-18	09670003576



Coating	A=	mm <sup>2</sup>	V=	mm <sup>3</sup>	m=	g	Mat.
	All Dimensions in mm Original Size DIN A4		Scale 1:1	Free size tol.			Ref. Sub. TB 21038411505 500000054446 2012-08-20
	All rights reserved Department EC PD - DE	Created by DYCKC	Inspected by HARLASS	Standardisation HOFFMANN	Date 2018-06-11	State Final Release	
HARTING Electronics GmbH D-32339 Espelkamp		Title HARTING M12-L crimp male B-coded 5-pole			Doc-Key / ECM-Nr. 100230989/UGD/002/F 500000130960		Rev. F
		Type TB	Number 21038411505			Page 1/1	