

NK844W0H-1T(E) Wi-Fi Kit



- One pack provides everything required for small monitoring scenarios: One 8-ch Wi-Fi NVR with decoding up to 4-ch @ 4MP
- four 4 MP bullet Wi-Fi cameras with efficient H.265 compression technology
- One network cable
- Pre-install 1TB HDD
- Auto Wi-Fi connection and easy installation
- Hik-Connect cloud service and app for remote management and viewing of devices

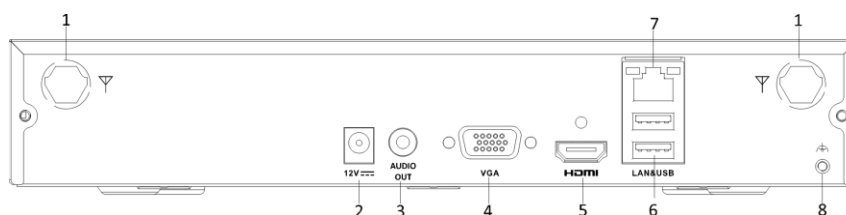
▪ Specification

Camera	
Lens	
Focal Length	2.8 mm
Aperture	F1.6
Focus	Fixed
FOV	horizontal FOV 98°, vertical FOV 54°, diagonal FOV 115°
Lens Mount	M12
IR	
IR Range	Up to 30 m
Compression Standard	
Video Compression	Main stream: H.265/H.264, Sub-stream: H.265/H.264
H.265 Type	Main Profile
H.265+	Main stream supports
Video Bit Rate	32 Kbps to 8 Mbps
Audio Compression	G.711/G.722.1/G.726/MP2L2/PCM/MP3/AAC-LC
Audio Bit Rate	64 Kbps (G.711ulaw/G.711alaw)/16 Kbps (G.722.1)/16 Kbps (G.726)/32 to 192 Kbps (MP2L2)/8 to 320 Kbps (MP3)/16 to 64 Kbps (AAC-LC)
Audio Sampling Rate	8 kHz/16 kHz
Environment Noise Filtering	Yes
Image	
Max. Resolution	4MP
Main Stream	50 Hz: 20 fps (2560 × 1440), 25fps (2304 × 1296, 1920 × 1080, 1280 × 720) 60 Hz: 20 fps (2560 × 1440), 30fps (2304 × 1296, 1920 × 1080, 1280 × 720)
Sub-stream	50Hz: 25 fps (640 × 360) 60Hz: 30 fps (640 × 360)
Image Setting	Saturation, brightness, contrast and sharpness are adjustable via client software and web browser
Network	
Protocols	TCP/IP, ICMP, DHCP, DNS, HTTP, RTP, RTCP, RTSP, NTP, IGMP, IPv6, UDP, QoS, UPnP
General Function	One-key reset, heartbeat, mirror, password protection, privacy mask, watermark, IP address filter
Client	iVMS-4200, Hik-Connect
Interface	
Communication Interface	1 RJ45 10M/100M self-adaptive Ethernet port
Audio I/O	1 built-in microphone
Reset Button	Yes
Video Out	No
General	
Power Supply	12 VDC ± 25%, 0.5 A, max. 6 W, Ø5.5 mm coaxial power plug, reverse polarity protection,
Consumption	≤ 6 W
Working Temperature	-30 °C to 60 °C (-22 °F to 140 °F)
Working Humidity	95% or less (non-condensing)
Dimension (W × D × H)	176.3 mm × 89.1 mm × 74.5 mm (6.9" × 3.5" × 2.9")

Weight	Approx. 350 g (0.8 lb.)
Others	
Camera Case Type	Bullet
Min. Illumination	Color: 0.005 Lux @ (F1.6, AGC ON),B/W: 0 Lux with IR
Shutter Speed	1/3 s to 1/100,000 s
Day &Night	IR cut filter
WDR	Digital WDR
Angle Adjustment	Pan: 0° to 360°, tilt: 0° to 90°, rotate: 0° to 360°
Protection Level	IP66
Material	Base: Metal, front cover: Metal, back cover: Plastic
Wi-Fi Support	Yes
NVR	
Video and Audio	
IP Video Input	8-ch
Incoming/Outgoing Bandwidth	50 Mbps/40 Mbps
HDMI/VGA Output	1-ch, resolution: 1920 × 1080/60Hz, 1280 × 1024/60Hz, 1280 × 720/60Hz, 1024 × 768/60Hz HDMI/VGA simultaneous output
Audio Output	1-ch, RCA (linear, 1 KΩ)
Decoding	
Video Resolution	4MP/3MP/1080p/UXGA/720p/VGA/4CIF/DCIF/ 2CIF/CIF/QCIF
Synchronous Playback	8-ch
Capability	4-ch@4 MP (12 fps)/4-ch@1080p (25 fps)
Network	
Network Interface	1, RJ-45 10/100 Mbps self-adaptive Ethernet interface
Network Protocol	IPv6, UPnP™, NTP, SADP, DHCP
Remote Connection	16
Wi-Fi	
Frequency Band	2.4 GHz
Antenna Structure	2 × 2MIMO
Transmission Speed	144 Mbps
Transmission Standard	IEEE 802.11b/g/n
Auxiliary Interface	
SATA	1
Capacity	Up to 6 TB capacity for each disk
USB Interface	Rear panel: 2 × USB 2.0
General	
Power Supply	12 VDC, 1.6 A
Consumption (without HDD and PoE off)	≤ 10 W
Working Temperature	-10 °C to 55 °C (14 °F to 131 °F)
Working Humidity	10% to 90%
Dimension (W × D × H)	265 × 246 × 48 mm (10.4" × 9.7" × 1.9")
Weight (without hard disk)	≤ 1.6 kg (without HDD, 3.5 lb.)

Kit	
Accessories	Power adaptor: 4 × IPC power adaptors, 1 × NVR power adaptor Ethernet cable: RJ45, Cat5e UTP, 1 m.
Hard Drive	-1T:Pre-installed 1 TB HDD
Certification	CE
Weight (with package)	≤ 7 kg (15.4 lb.)

▪ Physical Interface

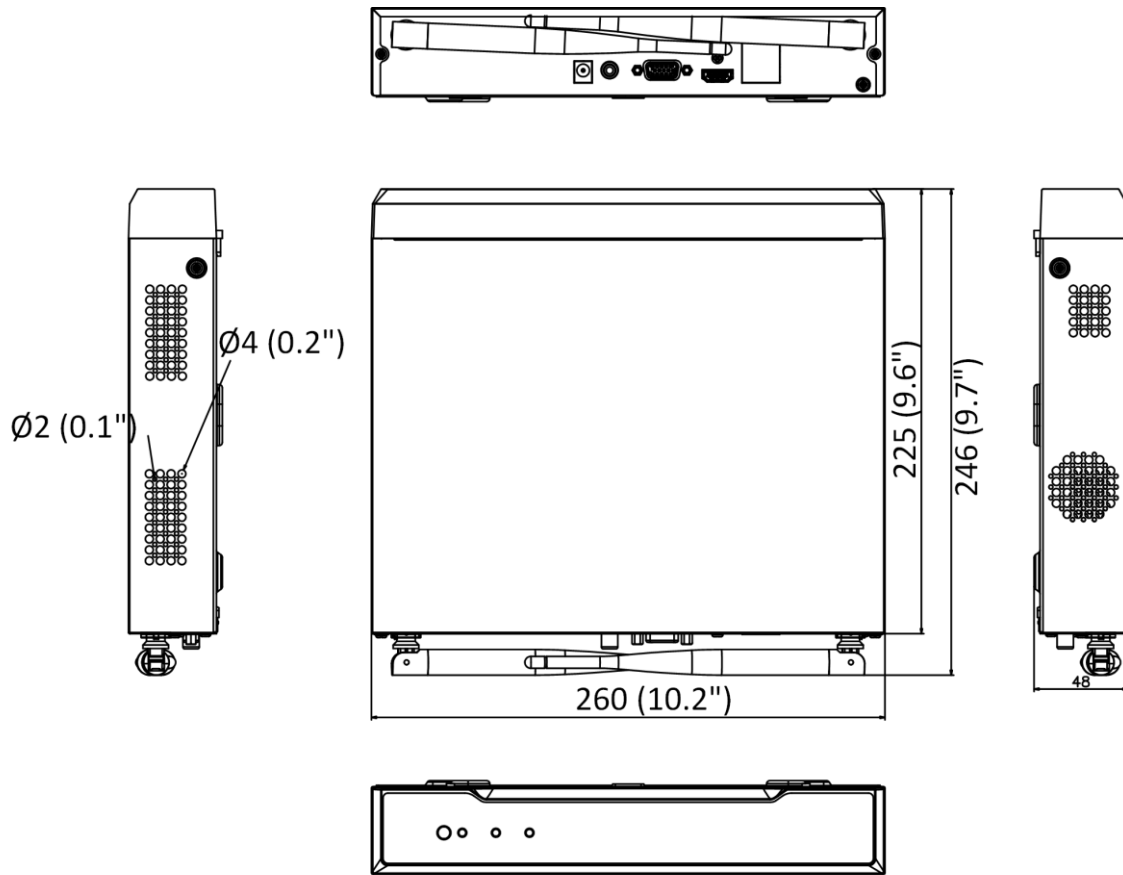


No.	Description	No.	Description
1	Antenna Interface	5	HDMI Interface
2	Power Supply	6	USB Interface
3	Audio Interface	7	LAN Network Interface
4	VGA Interface	8	Ground

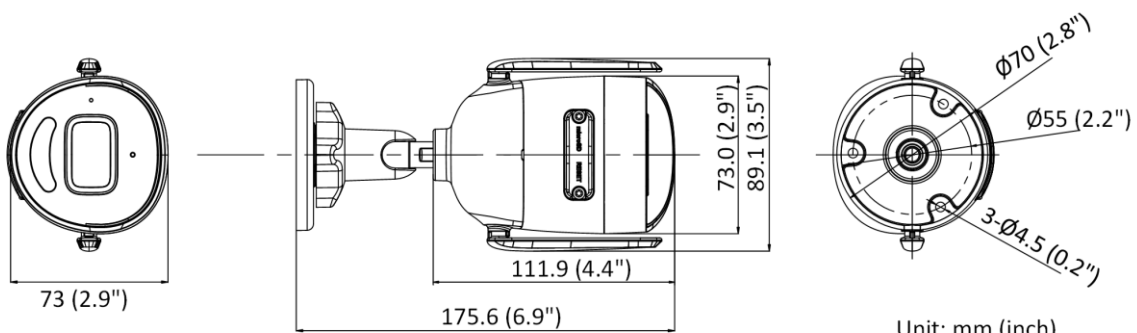
▪ Available Model

NK844W0H-1T(E)

▪ Dimension



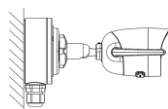
Unit: mm (inch)



Unit: mm (inch)

- **Accessory**
- **Optional**

**DS-1280ZJ-XS
Junction box**



Headquarters

No.555 Qianmo Road, Binjiang District,
Hangzhou 310051, China
T +86-571-8807-5998
www.hikvision.com



Follow us on social media to get the latest product and solution information.

