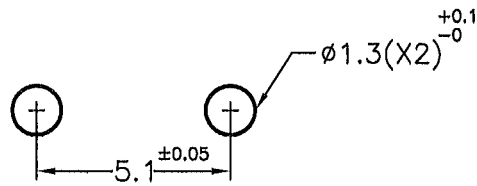
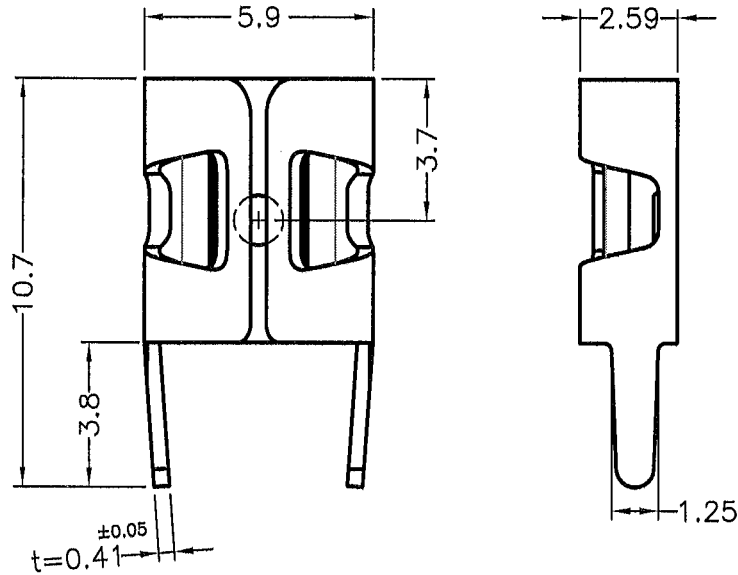


REVISIONS			
REV	DESCRIPTION	DATE	BY

TAB SIZE : 4.8 X 0.81 .



MOUNTING HOLES

- BEST USE DATE FOR TIN PLATED PARTS ARE WITHIN FIVE MONTHS SINCE MFG DATE.
鍍錫最佳使用時間，為製造日期 5 個月內。
- FINISH: TIN PLATED. IF PARTS ARE NOT USED UP PLEASE STORE IN A SEAL BAG.
表面為鍍錫，未使用完畢時，產品請密封。

符合歐盟ROHS規範 (RoHS Compliant)

★鉛Pb	<1000PPM
★鎘Cd	< 100PPM
★汞Hg	<1000PPM
★六價鉻Cr6+	<1000PPM
★多溴聯苯類PBBs	<1000PPM
★多溴聯苯醚類PBDEs	<1000PPM



 康揚企業股份有限公司 KANG YANG HARDWARE ENTERPRISE CO., LTD. 康揚塑膠(東莞)有限公司 KANG YANG PLASTIC(DONG GUAN) CO., LTD. 康哲電腦配件(吳江)有限公司 KANG CHE COMPUTER COMPONENTS(WUJIANG) CO., LTD.		TITLE	P. C. B TERMINAL	SPEC. DWG.			
		MATERIAL	BRASS	DATE	2015.04.14		
		FINISH	TIN PLATED OVER NICKEL	DRAWN	ROBERT		
		COLOR		CHECK			
PART NUMBER	PCFS187	DRAWING NUMBER	PCFS187	UNLESS OTHERWISE SPECIFIED TOLERANCE	±0.2	APPROVED	
SIZE	A4	SCALE	5:1	UNIT	mm	REV	A