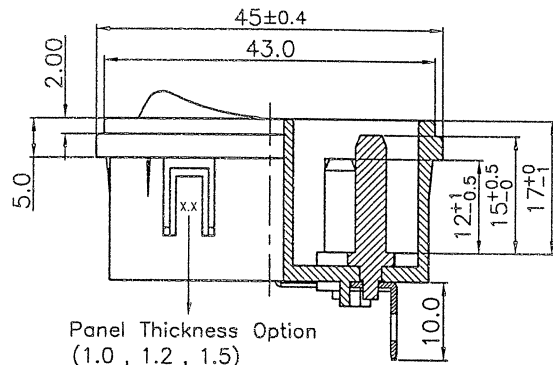
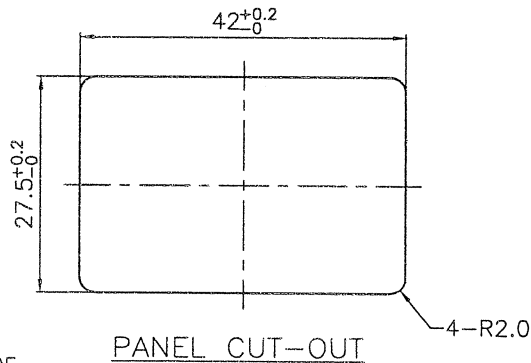
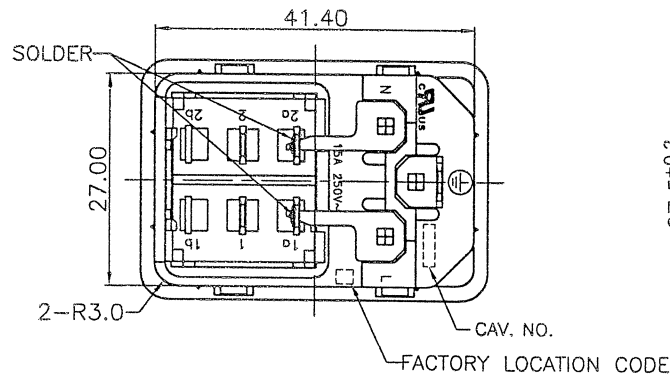
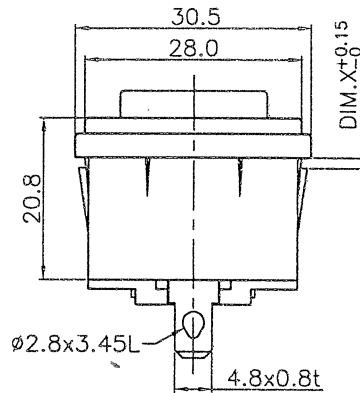


3-4±0.1 x 2±0.05



Panel Thickness Option
(1.0, 1.2, 1.5)



SPECIFICATION

A: MATERIAL:

1. HOUSING: PC, UL 94V-0
2. TERMINAL: COPPER ALLOY, TIN PLATED

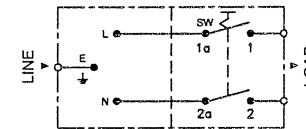
B: CHARACTERISTICS:

1. RATING: 10A 250V~ EUROPE
15A 250V~ NORTH AMERICA
2. INSULATION RESISTANCE: 100MΩ MIN, AT 500V DC
3. ELECTRIC STRENGTH: AC 2,000V FOR ONE MINUTE

C: APPROVALS:

UL, CUL, ENEC & CCC

D: DIAGRAM:



E: ORDERING INFORMATION:

P/N	DIM.X	PANEL THICKNESS	SWITCH'S TERMINAL
0711-SPQ10-H	1.10mm	1.0 mm	
0711-SPQ12-H	1.30mm	1.2 mm	
0711-SPQ15-H	1.60mm	1.5 mm	

	PART NO.: 0711-SPQXX-H		NAME: AC INLET 3P+SWITCH (SNAP-IN)		
	MATERIAL: SEE ABOVE		SPEC.: IEC 60320-1, C14		
TOLERANCE UNLESS OTHERWISE MARKED		APPROVED	CHECKED	DESIGNER	NOTE:
DIMENSION: ANGULAR: ±3'		2013 JUN 13	2013 JUN 13	2013-06-03	DOC.#:
.000: ±0.1 .00 : ±0.2 .0 : ±0.3	UNIT: mm SCALE: 1 : 1 SHEET: 1 of 1				
REV	DATE	DOCUMENT	DESCRIPTION	S711-0081	

E			
D			
C			
B			
A	2013.06.03	DGR13006-6	NEW REVISION
4			