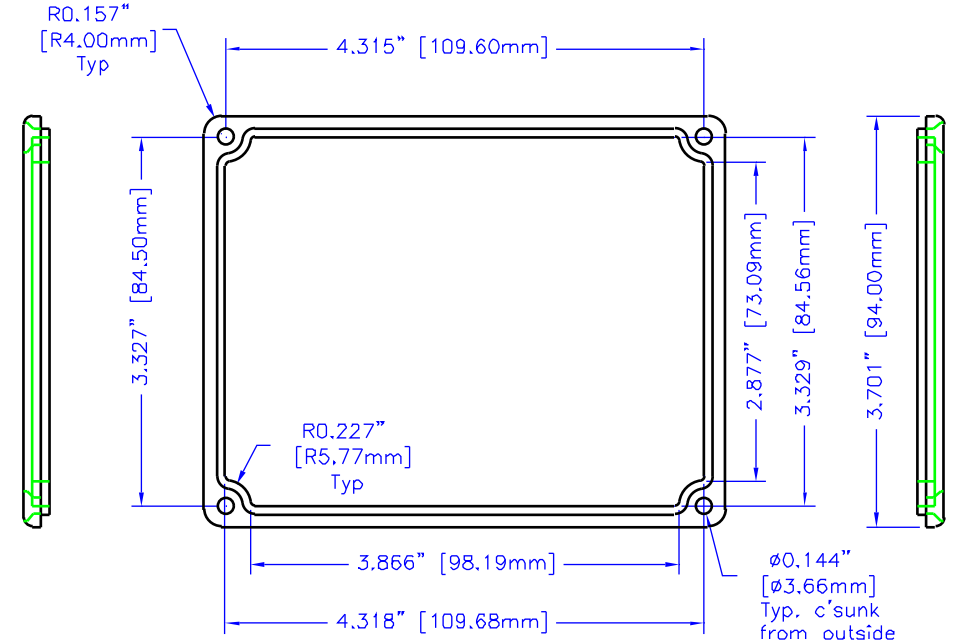
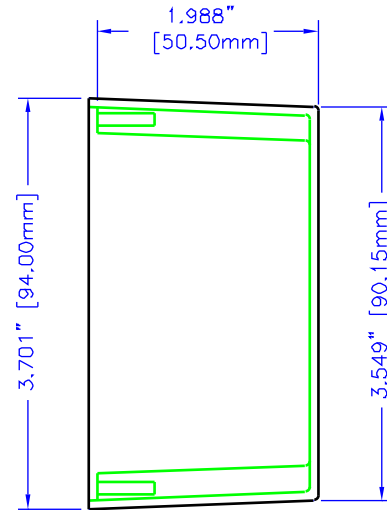
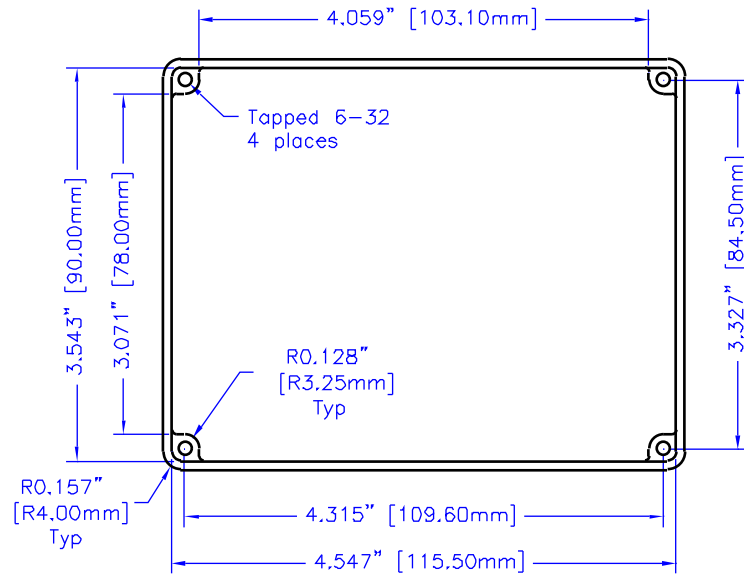
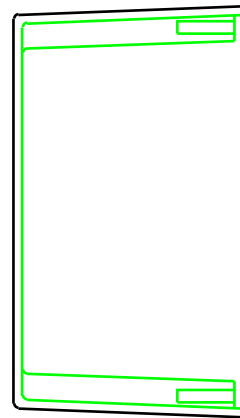
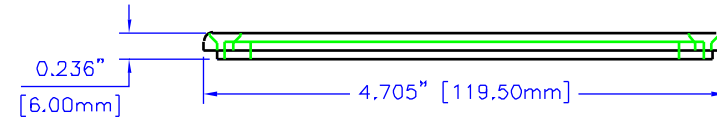
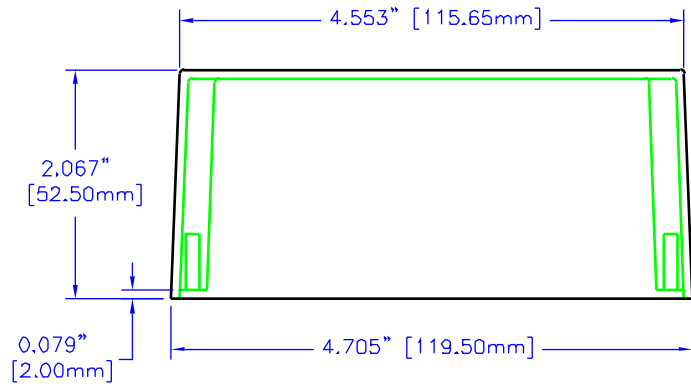


NOTES

- Parts:** Enclosure base, lid and either 4, 6, or 8 (6-32X0.5") nickel plated machine screws. Painted boxes come with color matching screws. Replacement screws are available, see catalog for details.
- Options:** Water resistant silicone seal by adding the letter "W" after 1590 in the part number. Silicone temperature range (-62 C to 232 C, -80 F to 450 F)
- Finish:** Unfinished (no suffix), Black powder ("BK" suffix), Gray Powder ("GY" suffix)



BOX

LID

For the best fit print on legal size paper.

THIS DRAWING IS PROPRIETARY INFORMATION OF HAMMOND MFG.CO.LTD. NOT TO BE USED WITHOUT EXPRESSED WRITTEN PERMISSION OF HAMMOND MFG.CO.LTD.

| Rev | ECN | Description | Date | By |
|-----|-----|-------------|----------|----|
| | N/A | RELEASE | 12 31 01 | MM |

Unless otherwise spec'd dimensions are in inches
Tolerances are:
X ± .1
XX ± .06
XXX ± .030
XXXX ± .0050
Holes ± .0050
Angles ± .5°

| | |
|-------|-----------------------------------|
| Own | M. MERCER |
| Date | 12 31 01 |
| Chk | --- |
| Mat'l | Die-casted Aluminum alloy 413(15) |
| Sheet | 1 of 1 |

HAMMOND MANUFACTURING CO. LTD.
Electronics Group, Waterloo, Ont - Cheektowaga, NY

**HAMMOND 1590 SERIES
DIE-CASTED ENCLOSURE**

Part #: 1590C

Dwg: 1590CA