

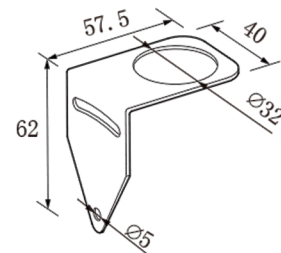
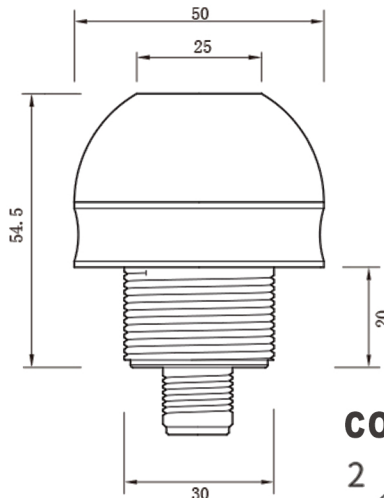
# INTELLIGENT INDUSTRIAL SIGNAL LIGHTS



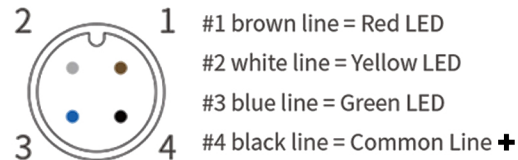
## O50 SERIES



### DIMENSIONS



### CONTROL CIRCUIT DIAGRAM



**CLX-O50-BN-RYG-FL50** | Cable  
**CLX-O50-BN-RYG-M12** | M12 connector