




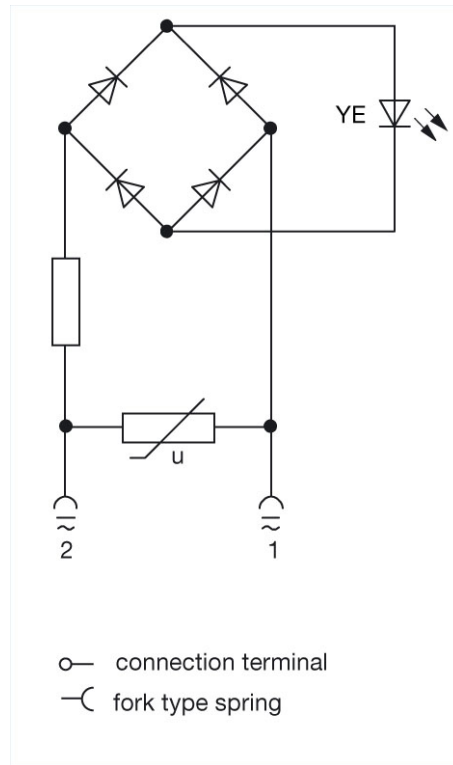
Product information GDME LED 24 GB YE

Industrial Connecting Solutions:Rectangular Connectors:Valve Connectors (Type A -B -C):Type A:Field Attachable Valve Connectors:Electronic inserts for GDME:GDME LED 24 GB YE

<http://e-catalog.hirschmann.com/link/57078-24228-256261-256266-256270-276215-24315-35666/en/conf/ulistate>

Name	GDME LED 24 GB YE
	
	rectifier with protective circuit (varistor) and function indicator (LED)
Delivery informations	
Availability	available
Product description	
Description	rectifier with protective circuit (varistor) and function indicator (LED)
Type	GDME LED 24 GB YE
Order No.	831 870-001
Standard	DIN EN 175 301-803-A
Construction type	A
Description of Wiring	
LED color	LED yellow
Voltage rectifier	for LED
Suppressor	varistor
Technical data	
Rated voltage	AC/DC 24 V
Rated current	8 A
Environmental conditions	
Temperature range	-40 °C to +110 °C
Packing unit	
Packaging unit	50 pieces

Picture
Drawing



Belden Deutschland GmbH
 Im Gewerbepark 2
 58579 Schalksmühle
 Germany
 Phone: +49 7127/14-1806
 E-Mail: icos-sales@belden.com

The information published in the websites has been compiled as carefully as possible. It is subject to alteration without notice in technical as well as in price-related/commercial respect. The complete information and data were available on user documentation. Mandatory information can only be obtained by a concrete query.