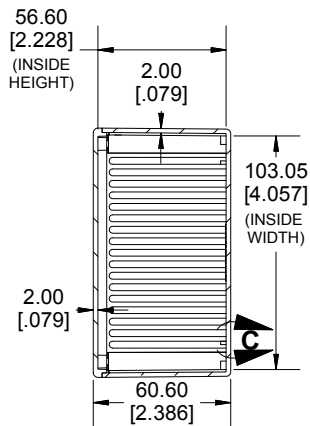
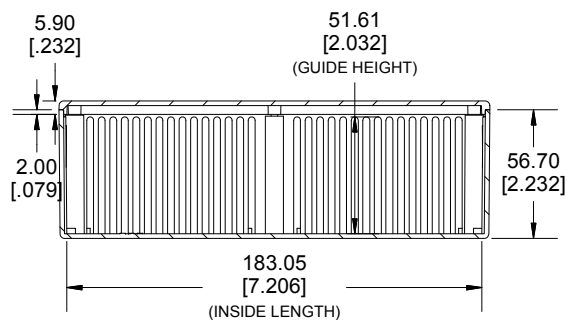
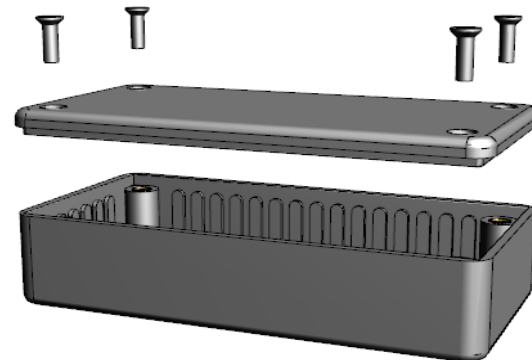


TOP VIEW

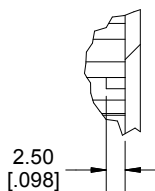


SECTION A-A

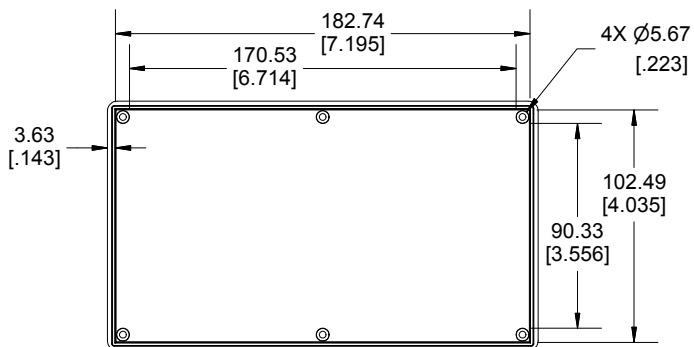
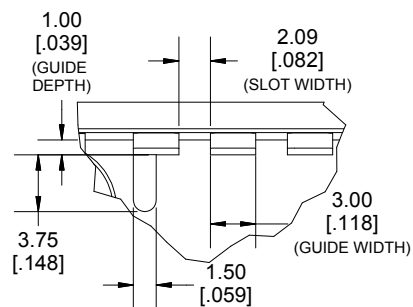


SECTION B-B  
SIDE VIEW

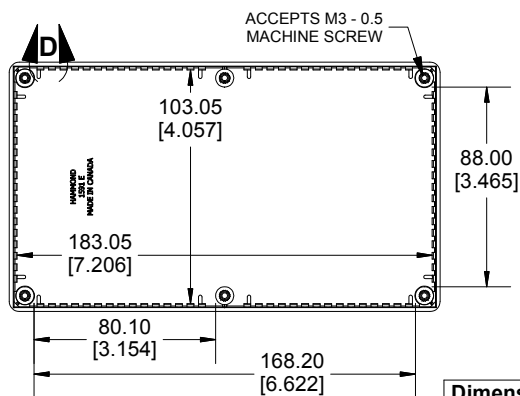
DETAIL C



DETAIL D



INSIDE LID



INSIDE BOX

Enclosures can be Factory Modified ( Milling, Drilling, Printing etc.)  
Contact Factory [mjm@hammondmfg.com](mailto:mjm@hammondmfg.com) for quotes  
Solid models of this enclosure available in STEP or IGES.

**NOTE**

Purchased assembly includes box, lid, 6 cover screws, and pre installed brass inserts.  
Enclosure made from FRABS or Polycarbonate.

**Recommended Torque: 42-57 ozf.in (30-40 cN.m)**

**PART NUMBERS**

1591E Enlosure		
Material	Colour	Part Number
FR ABS UL94 -V0	Beige	1591EBG
	Black	1591EBK
	Blue	1591EBU
	Grey	1591EGY
Translucent Polycarbonate	Ice Blue	1591ETBU
	IR Red	1591ETRD
	Crystal Clear	1591ETCL
Accessories		
Plated Cover screw M3 - 0.5 X 10mm (100Pkg)		1591MS100 (Silver)
		1591MS100BK (Black)
PC Board Card Adapters		1591Z6 (6Pkg)
		1591Z50 (50 Pkg)
		1591Z100 (100Pkg)
Nylon Belt / Pocket clip		1599CLIP (Black)
		1599CLIPGY (Grey)
Clear Lids - Flame Retardant Polycarbonate - Lid ONLY		1591EC

Dimensions:  
mm  
[inches]

