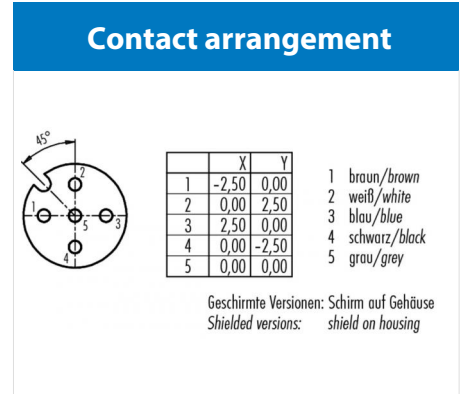
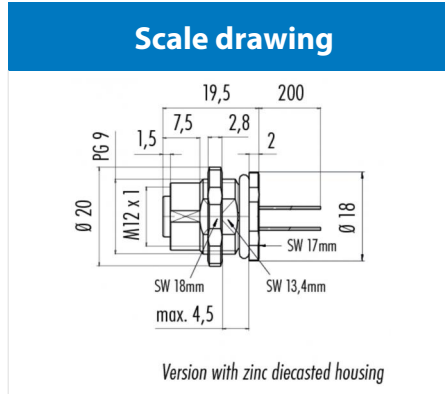


Product description **Contacts: 5, female panel mount connector, screwed from front, with single wires, AWG 24, PG 9**

Area **M12-A Series 713/763**  
 Order number **76 0532 1011 00005-0200**



You can find the assembly instructions on the next page.

## Technical data

### General values

Connector design female panel mount connector  
 Connector locking system bolted  
 Termination single wires  
 Wire gauge (mm) (0,25 mm<sup>2</sup>)  
 Wire gauge (AWG) 24  
 Upper limit temperature 85 °C  
 Lower limit temperature -40 °C

### Cable data

Approval 1 UL

### Electrical values

Rated current (40 °C) 4 A (3 A UL)  
 Rated voltage 60 V  
 Rated impulse voltage 1500 V  
 Pollution degree 3  
 Overvoltage category II  
 Insulating material group III  
 Volume resistivity ≤ 3 mΩ  
 Insulation resistance >10<sup>8</sup>Ω  
 EMC compliance not shielded  
 Degree of protection IP68  
 Mechanical operation > 100 Mating cycles

### Material

Contact material CuSn (bronze)  
 Contact plating Au (gold)  
 Contact body material PA  
 Housing material Zinc die-cast nickel-plated

Product description

**Contacts: 5, female panel mount connector, screwed from front, with single wires, AWG 24, PG 9**

Area

**M12-A Series 713/763**

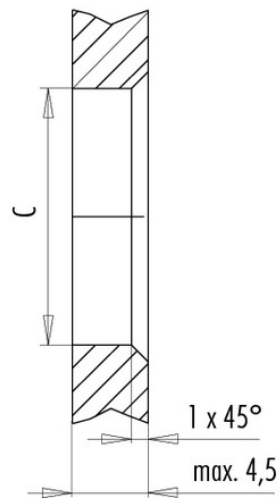
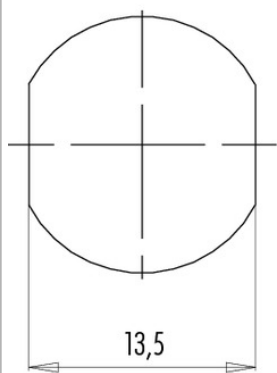
Order number

**76 0532 1011 00005-0200**

Assembly instructions / Panel cut-out

Mit Fläche als Verdrehenschutz  
With flats as anti-rotation device

Mit Durchgangsbohrung  
With bore hole



	C
PG 9	15,3
M16x1,5	16,1

Anzugsdrehmoment/Tightening torque

Metallgehäuse/Metal housing 6,25 Nm  
Kunststoffgehäuse/Plastic housing 3,75 Nm

Product description	<b>Contacts: 5, female panel mount connector, screwed from front, with single wires, AWG 24, PG 9</b>
Area	<b>M12-A Series 713/763</b>
Order number	<b>76 0532 1011 00005-0200</b>

## Security notices

The connector must not be connected or separated under load. Non-observance and incorrect use can result in personal injury.

The connectors are designed for use in plant, control system and electrical equipment. The end user is responsible for checking whether the connectors are suitable for use in other applications.

Connectors with degree of protection IP 67 and IP 68 are not suitable for use under water. When used outdoors, the connectors must be separately protected against corrosion. For further information about IP degrees of protection refer to 'Technical support' in the Download Centre.