

7.2ah (12V) AGM Battery | EPS1272

EPSTM General Series VRLA Battery

The EPSTM series offers 5 years full maintenance free design life. With optimum design and good reliability, this series is highly suited for security and alarm systems, UPS systems, emergency light systems and other small backup applications.

Maintenance & Cautions

- Ensure all batteries operating in a series based connection are not charged excessively;
- Ensure all batteries operating in a series based connection are not discharged excessively;
- Batteries must be charged with the correct voltage;
- Recharge capacity will be 1.1 - 1.15 times the discharge capacity;
- Effect of temperature on cycle charge voltage: -5mV/degrees per cell;
- It is imperative the battery is always in an upright position and never on its side.

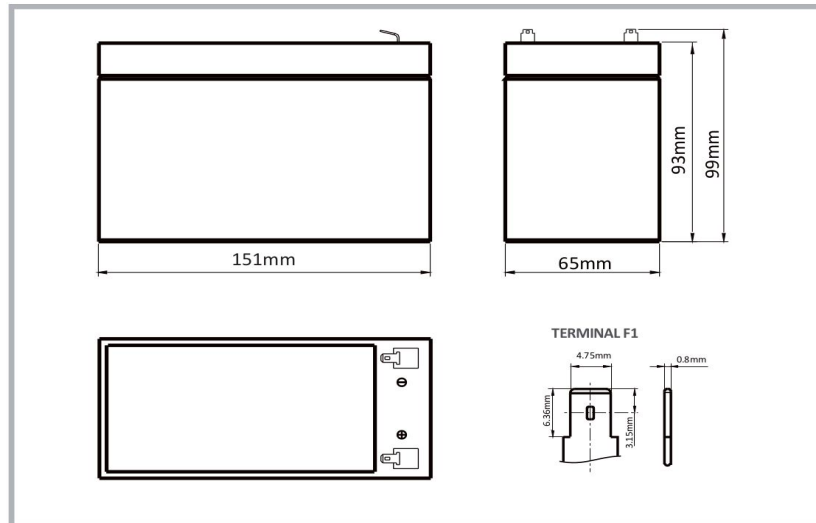
Factors Affecting Battery Life

- Depth of discharge
- Temperature
- Recharge rate
- *Refer to Technical Specifications**



7.2ah (12V) AGM Battery | EPS1272

Battery Dimensions



Technical Specifications

Physical Attributes	
Dimension (mm)	L151mm x W65mm x H99mm
Approximate Weight	2.1 kg (4.41 lbs)
Voltage and Designations	
Nominal Voltage (V)	12 (6 Cells per unit)
Designed Floating Life (20°C)	5 Years
Nominal Capacity (20°C)	7.2 Ah @ 20HR-rate (to 1.75Vpc)
Terminal Type	Fasten Tab F1
Internal Resistance	Approximately 0.02mΩ (fully charged @ 20°C)
Max. Charge Current	2.16A
Max. Discharge Current (5S)	105A
Short Circuit Current	600A
Self Discharge	Approximately 3% per month @ 20°C

7.2ah (12V) AGM Battery | EPS1272

Ambient Temperature	Discharge: -15-50°C Charge: -15-40°C Storage: -15-40°C
Float Charge Voltage (20 - 25°C)	13.6-13.8V (-3mV/ cell/ °C)
Equalize & Cycle Use Charge Voltage (20 -25°C)	14.4-14.8V (-5mV/ cell/ °C)
Container Material	ABS (UL94-V0 optional)

