

# Optimate4

**MODEL: TM140DUAL / TM142DUAL / TM146DUAL**

~ AC: 220-240VAC ~ 50-60Hz

0,095A @ 240Vac

--- DC: 0,8A --- 12V



**1 x 12V**

**STD / AGM-MF / GEL**

**3 - 50Ah (charge within 48 hours), up to 70Ah for long term maintenance**

**Automatic charger for 12V lead/acid batteries • Chargeur automatique pour batteries 12V plomb-acide • Cargador automático para baterías 12V plomo-ácido • Carregador automático para baterias de 12V chumbo/ácido • Automatische Ladegerät für 12V Blei-Säure Batterien • Automatische lader voor 12V loodzuur accu's • Caricabatterie automatico per batterie 12V piombo-acido • Automatisk diagnostisk laddare för 12V blybatterier**

## INSTRUCTIONS FOR USE

**IMPORTANT:** Read completely before charging

EN

## MODE D'EMPLOI

**IMPORTANT:** à lire avant d'utiliser l'appareil

FR

## MODO DE EMPLEO

**IMPORTANTE:** a leer antes de utilizar el aparato

ES

## INSTRUÇÕES DE UTILIZAÇÃO

**IMPORTANTE:** Ler antes de utilizar.

PT

## ANWENDUNGSVORSCHRIFTEN

**WICHTIG:** Vollständig vor der Benutzung lesen

DE

## GEbruIKSAANWIJZING

**BELANGRIJK:** Lees volledig voor gebruik

NL

## ISTRUZIONI PER L'USO

**IMPORTANTE:** da leggere prima di utilizzare l'apparecchio

IT

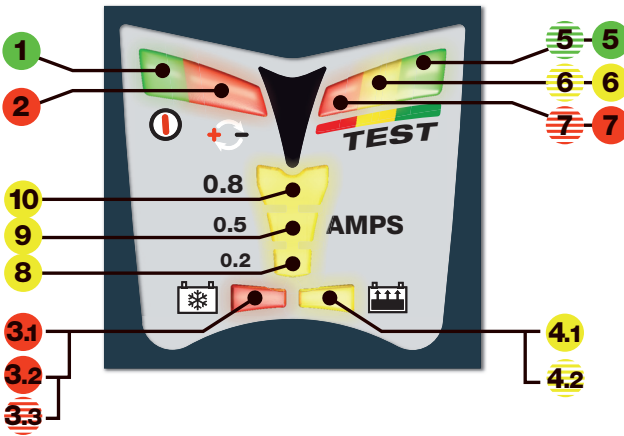
## INSTRUKTIONER

**VIKTIGT:** läs följande fullständiga instruktioner för användningen innan du använder laddaren

SV

**tecMATE™**

## LED indications (illustration 1)



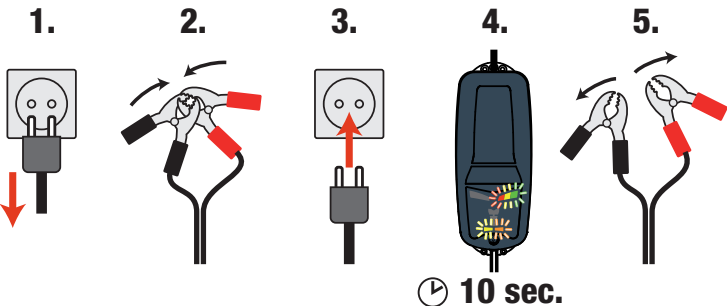
## Early warning of battery problems (illustration 2)

### TEST after charging - 5 possible results

TEST					
VOLTS	2V	12.2V	12.4V	12.5V	12.7V
STD	✗	40-60%	61-80%	✓	✓
GEL	✗	✗	40-60%	61-80%	✓
AGM / MF	✗	✗	40-60%	61-80%	✓

## Change program (illustration 3)

### Change program: Standard ↔ CAN-bus



# Optimate™4

## AUTOMATIC DIAGNOSTIC CHARGER FOR 12V LEAD-ACID BATTERIES FROM 3Ah TO 50Ah, AS FOUND IN:



**DO NOT USE FOR NiCd, NiMH, Li-Ion OR NON-RECHARGEABLE BATTERIES.**

Input: 220-240V~ maximum 0,095A. The maximum output current is 0,8A.

### IMPORTANT: READ THE FOLLOWING INSTRUCTIONS BEFORE USING THE CHARGER

This appliance is not intended for use by persons (including children) with reduced physical, sensory or mental capabilities, or lack of experience and knowledge, unless they have been given supervision or instruction concerning use of the appliance by a person responsible for their safety. Children should be supervised to ensure that they do not play with the appliance.

**SAFETY WARNING AND NOTES:** Batteries emit **EXPLOSIVE GASES** - prevent flame or sparks near batteries. Disconnect AC power supply before making or breaking DC/battery connections. Battery acid is highly corrosive. Wear protective clothing and eyewear and avoid contact. In case of accidental contact, wash immediately with soap and water. Check that the battery posts are not loose; if so, have the battery professionally assessed. If the battery posts are corroded, clean with a copper wire brush; if greasy or dirty clean with a rag damped in detergent. Use the charger only if the input and output leads and connectors are in good, undamaged condition. If the input cable is damaged, it is essential to have it replaced without delay by the manufacturer, his authorised service agent or a qualified workshop, to avoid danger. Protect your charger from acid and acid fumes and from damp and humid conditions both during use and in storage. Damage resulting from corrosion, oxidation or internal electrical short-circuiting is not covered by warranty. Distance the charger from the battery during charging to avoid contamination by or exposure to acid or acidic vapours. If using it in the horizontal orientation, place the charger on a hard, flat surface, but NOT on plastic, textile or leather. Use the fixing holes provided in the enclosure base to attach the charger to any convenient, sound vertical surface.

**EXPOSURE TO LIQUIDS:** This charger is designed to withstand exposure to liquids accidentally spilled or splashed onto the casing from above, or to light rainfall. Prolonged exposure to falling rain is inadvisable and longer service life will be obtained by minimizing such exposure. Failure of the charger due to oxidation resulting from the eventual penetration of liquid into the electronic components, connectors or plugs, is not covered by warranty.

**BATTERY CONNECTIONS:** 2 interchangeable connection sets are available, supplied with the charger is a set of battery clips for charging the battery off-vehicle, the other connection set comes with metal eyelet lugs for permanent connection to the battery posts, and re-sealable weatherproof cap on the connector that connects to the charger output cable. This connection set allows easy and sure connection of the charger to maintain the battery on-vehicle. The resealable weatherproof cap is designed to protect the connector from dirt and damp whenever the charger is not attached. Consult a professional service agent for assistance in attaching the metal eyelets to the battery posts. Secure the connector with weatherproof cap so that it cannot foul any moving part of the vehicle or the cable can be pinched or damaged by sharp edges. The in-line fuse in the eyelets connection set protects the battery against such accidental shorting across positive and negative conductors. Replace any burnt fuse only with a similar new fuse of 15A rating.

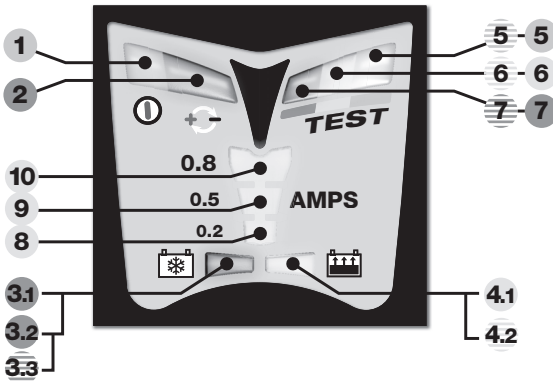
### CONNECTING THE CHARGER TO THE BATTERY

1. Disconnect AC power supply before making or breaking DC / battery connections.
2. If charging a battery in the vehicle with the battery clips, before making connections, first check that the battery clips can be safely and securely positioned clear from surrounding wiring, metal tubing or the chassis. Make connections in the following order: First connect to the battery terminal not connected to the chassis (normally positive), then connect the other battery clip (normally negative) to the chassis well away from the battery and fuel line. Always disconnect in reverse sequence.
3. When charging a battery out of the vehicle with the battery clips, place it in a well ventilated area. Connect the charger to the battery: RED clamp to POSITIVE (POS, P or +) terminal and BLACK clamp to NEGATIVE (NEG, N or -) terminal. Make sure the connections are firm and secure. Good contact is important.
4. If the battery is deeply discharged (and possibly sulfated), remove from the vehicle and inspect the battery before connecting the charger for a recovery attempt. Visually check the battery for mechanical defects such as a bulging or cracked casing, or signs of electrolyte leakage. If the battery has filler caps and the plates within the cells can be seen from the outside, examine the battery carefully to try to determine if any cells seem different to the others (for example, with white matter between the plates, plates touching). If mechanical defects are apparent do not attempt to charge the battery, have the battery professionally assessed.
5. If the battery is new, before connecting the charger read the battery manufacturer's safety and operational instructions carefully. If applicable, carefully and exactly follow acid filling instructions.

EN

SAFETY

## USING THE OPTIMATE 4



**DUAL PROGRAM:** OptiMate 4 is equipped with two charging programs. Only one program can operate at a time. Selected models of OptiMate 4 will be delivered with program 1 (STANDARD) or program 2 (CAN-bus) set as default.

**Program 1 (STANDARD)** is the normal charging program for direct connection to a battery in any condition. All program features are active, including Standard, TURBO and PULSE desulfation mode.

**Program 2 (CAN-bus)** automatically activates a 12V outlet on vehicles fitted with CAN-bus, to charge, test and maintain the battery when the vehicle is in storage. The standard and high voltage TURBO desulfation mode are de-activated. The low voltage PULSE desulfation mode remains active, to recover a discharged battery that remains connected to vehicle wiring.

Program 2 can also be used to directly charge and maintain a battery in or out the vehicle, *but cannot recover a sulfated battery*. To recover a sulfated battery select program 1 and follow instructions under **VERY FLAT NEGLECTED BATTERIES**.

**Program indication** when not connected to a 12V outlet or battery.

STANDARD – only the power LED#1 remains on.

CAN-bus – the POWER LED#1 remains on and DESULFATE LED#3 and CHARGE LED#4 briefly flash together at regular intervals.

### To change from one program to the other:

1. Disconnect the charger from AC supply.
2. Attach the battery clip set to the charger and connect the negative clip directly to the positive clip.
3. Re-connect the charger to AC supply.
4. Observe the following LED indications:  
LEDs #3,4,5,6 and 7 flash 12 times during selection of the alternate program (5x slow, 5x fast, 2x slow).  
After the program change the following indications can be observed (with battery clips still connected together):
  - Changed from CAN-bus to STANDARD : only the POWER LED#1 remains on.
  - Changed from STANDARD to CAN-bus : LED #3 and LED #4 flash together at regular intervals with LED #8 immediately following.
5. Disconnect the battery clips. OptiMate 4 is ready to charge a battery according to the selected program.

## PROCEEDING TO CHARGE

**POWER ON: LED #1** - Confirms AC power supply to the charger..

**REVERSE POLARITY PROTECTION: LED #2** - Lights when the battery connections are incorrect. The charger is electronically protected so no damage will result, and the output will remain disabled until the connections are corrected.

**CHARGE CURRENT BAR: LED #8, 9, 10** - Light when pulsed or continuous current is delivered to the battery.

Current level indications: LED #8: 0,2A LED#8 and 9: 0,5A LED #8, 9 and 10: 0,8A

## PROGRAM 1 - STANDARD

**VERY FLAT NEGLECTED BATTERIES:** If the battery is deeply discharged (and possibly sulfated), remove from the vehicle and inspect the battery before connecting the charger for a recovery attempt.

The charger's **TURBO recovery mode cannot engage if it senses that the battery is still connected to a vehicle wiring circuit** which effectively offers a lower electrical resistance than the battery on its own. However, if the deep-discharged battery is not removed for recovery, neither battery nor vehicle electronics will be damaged. **Pay particularly close attention to the following which is especially important for relatively small batteries such as those used on motorcycles, lawn tractors, jet-ski's, snowmobiles and similar:** A battery left deep-discharged for an extended period may develop permanent damage in one or more cells. Such batteries may heat up excessively during high current charging.

Monitor the battery temperature during the first hour, then hourly there-after. Check for unusual signs, such as bubbling or leaking electrolyte, heightened activity in one cell compared to others, or hissing sounds. If at any time the battery is uncomfortably hot to touch or you notice any unusual signs, **DISCONNECT THE CHARGER IMMEDIATELY.**

EN

### PRE-QUALIFICATION TEST: LEDs # 5 / 6 / 7

**TEST LEDs #5/6/7 indicate the condition of the battery prior to charging. Charging commences after 10 seconds.**

Consult the **"EARLY WARNING OF BATTERY PROBLEMS"** table on page 2 (illustration 2) for TEST LED indications.

**LED #7 (red) flashing:** OptiMate 4 is injecting a test signal to see if the battery is recoverable. Once the indication becomes steady for up to 10 seconds charging will commence. If flashing continues the battery cannot be successfully recovered.

### RECOVERY / DESULFATE: LED #3

This mode engages if during pre-qualification LED #7 (red) or LED #6 (yellow) or both indicated. The program will determine the correct charge mode. Charge time: Minimum 15 minutes, maximum 2 hours.

**STANDARD recovery for neglected batteries - LED #3 steady on :** Up to 16V is applied with current limited to 0,2A. If the battery is unable to accept a charge TURBO recovery will engage after 5 seconds. Batteries able to accept 0,2A of charge current will advance to PULSE recovery.

**TURBO recovery for very badly neglected batteries - LED #3 flashing:** Output voltage increases to a maximum of 22V with current limited to 0,2A.

**PULSE recovery -final 15 minutes - LED #3 steady on:** Current up to 0,8A is delivered in pulses to prepare the battery to accept normal charge. *This mode is particularly effective for recovery of factory activated / "hi-performance" pure lead or cyclic cell AGM batteries.*

### CHARGE: LED #4

**BULK charge - LED #4 steady on:** A constant current of 0,8A up to a voltage of 14,2 - 14,4V is delivered to the battery.

**FINAL charge - LED #4 flashing:** Pulsed absorption step: Current is delivered in pulses, varying between 0,2 and 0,8A and up to a voltage of 14,2 - 14,4V, to bring the battery to full charge in the shortest possible time. Verification step: Once the current demand is less than 0,2A the charging voltage is now limited at 13,6V whilst the battery's charge level is verified.

If the battery requires further charging the program will revert to pulsed absorption.

If the battery has accepted as much charge as its basic condition allows the voltage retention step follows.

**NOTE:** For safety reasons there is an overall charge time limit of 48 hours.

### VOLTAGE RETENTION TEST: LED #5 flashing

Delivery of current to the battery is interrupted for 30 minutes to allow the program to determine the battery's ability to retain charge. For batteries with a good state of health LED #5 (green) should continue to flash for the full 30 minute period. Consult the **"EARLY WARNING OF BATTERY PROBLEMS"** table on page 2 for LED indications other than LED #5 (green).

A significant problem exists if the battery is unable to retain sufficient charge during the 30 minute test period. Read the section **NOTES ON TEST RESULTS** on reasons for poor test results or how to test a battery that returns a good result but cannot deliver sufficient power once it is returned to service.

### MAINTENANCE CHARGE: LED #5 / 6 / 7 steady on

For 30 minutes the circuit offers current to the battery within a safe 13,6V voltage limit whilst the result of the voltage retention test is displayed. Consult the **"EARLY WARNING OF BATTERY PROBLEMS"** table on page 2 for LED indications other than LED #5 (green). The 30 minute float charge maintenance periods follow and alternate with the 30 minute VOLTAGE RETENTION TEST periods until the battery is disconnected. A more detailed description of the automatic maintenance cycle for long term battery storage can be found under the section **AUTOMATIC BATTERY MAINTENANCE.**

## PROGRAM 2 - CAN-bus

**IMPORTANT:** High voltage STANDARD and RECOVERY CHARGE modes are disabled. This program is designed for charging, testing and long term maintenance of batteries mounted in vehicles fitted with CAN-bus.

**RECOMMENDED:** Charge through the 12V outlet with the appropriate 0-2 (12V outlet connector for auto and DIN socket) or 0-9 (Extended 12V DIN connector).

### LED INDICATIONS BEFORE CONNECTION TO THE BATTERY:

**LED #3 and 4 flashing:** The program is sending a signal to detect and activate a CAN-bus controlled 12V outlet.

**LED #3, 4, 5, 6 and 7 flashing:** A short circuit has been detected across the output terminals, or if LED #2 (REVERSE POLARITY) is also indicating the battery connections are incorrect. The charger is electronically protected so no damage will result, and the output will remain disabled until the connections are corrected.

### PRE-QUALIFICATION TEST: LEDs #5 / 6 / 7

**TEST LEDs #5/6/7 indicate successful activation of the CAN-bus controlled 12V outlet and the condition of the battery prior to charging. Charging commences after 10 seconds.** Consult the "EARLY WARNING OF BATTERY PROBLEMS" table on page 2 (illustration 2) for TEST LED indications.

**NOTE:** Non activation may be due to one of the following: Program 1 is selected / Poor connection to the 12V outlet / Battery too low to power CAN-bus / Outdated CAN-bus programming on the vehicle - consult with the vehicle manufacturer.

### RECOVERY / DESULPHATE: LED #3

This mode engages if during pre-qualification LED #7 (red) or LED #6 (yellow) or both indicated. The CAN-bus program can only select low voltage PULSE recovery mode. Charge time: 15 minutes.

**PULSE recovery - LED #3 steady on:** Current up to 0,8A is delivered in pulses to prepare the battery to accept full current charge.

### CHARGE: LED #4

**BULK charge - LED #4 steady on:** A constant current of 0,8A up to a voltage of 14,2 - 14,4V is delivered to the battery.

**FINAL charge - LED #4 flashing:** Pulsed absorption step: Current is delivered in pulses, varying between 0,2 and 0,8A and up to a voltage of 14,2 - 14,4V, to bring the battery to full charge in the shortest possible time. Verification step: Once the current demand is less than 0,2A the charging voltage is now limited at 13,6V whilst the battery's charge level is verified. If the battery requires further charging the program will revert to pulsed absorption.

If the battery has accepted as much charge as its basic condition allows the voltage retention step follows.

**NOTE 1:** The program automatically resets 2 minutes after manual disconnection or if the CAN-bus system has de-activated the controlled 12V outlet and the program could not re-activate the outlet within 2 minutes.

**NOTE 2:** For safety reasons there is an overall charge time limit of 48 hours.

### VOLTAGE RETENTION TEST: LED #5 flashing

Delivery of current to the battery is interrupted for 30 minutes to determine the battery's ability to retain charge. This will prompt the CAN-bus system to disable the 12V outlet within its own set time limit, disconnecting the battery from the charger. At the conclusion of the test period the program will once again initialize the CAN-bus controlled 12V outlet to measure the battery's voltage and then proceed to MAINTENANCE CHARGE during which the result of the test is displayed.

Consult the "EARLY WARNING OF BATTERY PROBLEMS" table on page 2 for LED indications. Read the section NOTES ON TEST RESULTS on reasons for poor test results or how to test a battery that returns a good result but cannot deliver sufficient power once it is returned to service. **NOTE:** If during the test the charger is manually disconnected from the 12V outlet or battery it will not automatically reset until the end of the test period.

### MAINTENANCE CHARGE: LED #5 / 6 / 7 steady on

For 30 minutes the circuit offers current to the battery within a safe 13,6V voltage limit whilst the result of the voltage retention test is displayed. The 30 minute float charge maintenance periods follow and alternate with the 30 minute VOLTAGE RETENTION TEST periods until the battery is disconnected. A more detailed description of the automatic maintenance cycle for long term battery storage can be found under the section AUTOMATIC BATTERY MAINTENANCE.

**NOTE 1:** The program automatically resets 2 minutes after manual disconnection or if the CAN-bus system has de-activated the controlled 12V outlet and the program could not re-activate the outlet within 2 minutes.

## NOTES ON TEST RESULTS:

**1.** For any test result other than green #5, disconnect the battery from the electrical system it supports, and reconnect the OptiMate. If a better test result is now obtained, this suggests that the power losses are partly due to an electrical problem in the electrical system and not in the battery itself. If the poor result persists, you are advised to take the battery to a professional service workshop equipped with professional equipment for a more thorough investigation.

**2.** During the maintenance charge cycle the TEST result will continue to be displayed until the TEST and MAINTENANCE cycle is repeated. If the decline in voltage resulted from a current drain out of the battery which was only of a temporary nature, the LED indication can revert to a better level.

**3.** If the red LED #7 alone, or the yellow #6 and red LED #7 indicate together, a significant problem exists. The red / yellow+red LEDs (or yellow LED alone for a sealed battery) mean that after being charged the battery's voltage is not being sustained or that despite recovery attempts the battery was irrecoverable. This may be due to a defect in the battery itself, such as a short-circuited cell or total sulphation, or, in the case of a battery still connected to the electrical system it supports, the red LED #7 may be signalling a loss of current through deteriorated wiring or a degraded switch or contact, or in-circuit current-consuming accessories. A sudden load such as vehicle headlights being switched on while the charger is connected can also cause the battery voltage to dip significantly.

**4. GOOD TEST RESULT,** but the battery cannot deliver sufficient power: Permanent damage within the battery may be causing excessive self discharge (caused by the battery itself, even a partly damaged battery may initially retain sufficient power, but lose power faster than normal there-after). Disconnect the battery from the OptiMate. After at least 12 hours reconnect and observe the TEST result during the PRE-QUALIFICATION TEST.

**AUTOMATIC BATTERY MAINTENANCE:** The MAINTENANCE CHARGE CYCLE consists of 30 minute float charge periods followed by and alternating with a 30 minute 'rest' periods, during which there is no charge current. This "50% duty cycle" prevents loss of electrolyte in sealed batteries and minimizes gradual loss of water from the electrolyte in batteries with filler caps, and thereby contributes significantly to optimizing the service life of irregularly or seasonally used batteries. The circuit offers current to the battery within a safe 13.6V voltage limit ("float charge"), allowing it to draw whatever small current is necessary to sustain it at (or close to) full charge and compensate for any small electrical loads imposed by vehicle accessories or on-board computer, or the natural gradual self-discharge of the battery itself.

**Maintaining a battery for extended periods:** The OptiMate will maintain a battery whose basic condition is good, for months at a time. At least once every two weeks, check that the connections between the charger and battery are secure, and, in the case of batteries with filler caps on each cell, disconnect the battery from the charger, check the level of the electrolyte and if necessary, top up the cells (**with distilled water, NOT acid**), then reconnect. When handling batteries or in their vicinity, always take care to observe the SAFETY WARNINGS above.

## Charging time

The minimum time required for the OptiMate 4 to complete a charge and test cycle and provide a result, even on a fully charged battery, is 45 minutes. Charge time on a flat but otherwise undamaged battery is roughly equal to the battery's Ah rating, so a 20Ah battery should take no more than about 20 hours to progress to the self-discharge check (§ 5). Deep-discharged batteries may take significantly longer.

If using the OptiMate 4 on a severely discharged automobile battery of larger capacity, a full charge may not be achieved within the 48 hour charge safety limit. In this case follow the reset procedure below.

## Resetting the charge or test cycle

Disconnect from the AC mains. Wait for the POWER ON LED #1 to go out. Upon reconnection to AC power all LEDs except #1, 2, 8, 9 and 10 will flash twice to confirm micro processor health, irrespective if the charger remains connected to a battery or not.

## LIMITED WARRANTY

TecMate (International) SA, Sint-Truidensesteenweg 252, B-3300 Tienen, Belgium, makes this limited warranty to the original purchaser at retail of this product. This limited warranty is not transferable. TecMate (International) warrants this battery charger for three years from date of purchase at retail against defective material or workmanship. If such should occur the unit will be repaired or replaced at the option of the manufacturer. It is the obligation of the purchaser to forward the unit together with proof of purchase (see NOTE), transportation or mailing costs prepaid, to the manufacturer or its authorized representative. This limited warranty is void if the product is misused, subjected to careless handling, or repaired by anyone other than the factory or its authorized representative. The manufacturer makes no warranty other than this limited warranty and expressly excludes any implied warranty including any warranty for consequential damages.

**THIS IS THE ONLY EXPRESS LIMITED WARRANTY AND THE MANUFACTURER NEITHER ASSUMES NOR AUTHORIZES ANYONE TO ASSUME OR MAKE ANY OTHER OBLIGATION TOWARDS THE PRODUCT OTHER THAN THIS EXPRESS LIMITED WARRANTY. YOUR STATUTORY RIGHTS ARE NOT AFFECTED.**

NOTE: Details at [www.tecmate.com/warranty](http://www.tecmate.com/warranty).

### copyright © 2012 TecMate International

OptiMate 4 and the names of other battery care products mentioned in these instructions such as BatteryMate, TestMate and TestMate mini, are registered trademarks of TecMate International NV.

WARRANTY in Canada, USA, Central America and South America:

TecMate North America, Oakville, ON, Canada, as a wholly owned subsidiary of TecMate International, assumes the responsibility for product warranty in these regions.

More information on TecMate products can be found at [www.tecmate.com](http://www.tecmate.com).

# Optimate™ 4

## CHARGEUR AUTOMATIQUE À FONCTION DIAGNOSTIC POUR BATTERIES PLOMB-ACIDE À PARTIR DE 3Ah - 50Ah, COMME CELLES DES :



**NE CONVIENT PAS POUR LES BATTERIES NiCd, NiMH, Li-Ion OU NON RECHARGEABLES.**

Entrée : 220-240V ~ maximum 0,095A. Le courant de sortie maxi est 0,8A.

### IMPORTANT : LIRE ENTIÈREMENT LES INSTRUCTIONS SUIVANTES AVANT D'UTILISER LE CHARGEUR

Cet appareil n'est pas destiné à être utilisé par des personnes (y compris des enfants) possédant des capacités physiques, sensorielles ou mentales réduites, ou manquant d'expérience et de connaissance, sauf si elles bénéficient d'une surveillance ou ont reçu des instructions concernant l'utilisation de l'appareil d'une personne responsable de leur sécurité. Les enfants doivent faire l'objet d'une surveillance pour s'assurer qu'ils ne jouent pas avec l'appareil.

**AVERTISSEMENT DE SÉCURITÉ et REMARQUES:** Les batteries émettent des GAZ EXPLOSIFS - il faut interdire les flammes ou les étincelles à proximité.

Avant d'établir ou de rompre les connexions de courant continu à la batterie, déconnecter l'alimentation secteur. L'acide des batteries est un puissant corrosif. Porter des vêtements et lunettes protecteurs et éviter tout contact. En cas de contact accidentel, laver immédiatement à l'eau et au savon. S'assurer que les bornes des batteries ne sont pas branlantes ; le cas échéant la batterie doit subir une évaluation professionnelle. Si les bornes sont corrodées, nettoyer à l'aide d'une brosse de cuivre ; s'ils sont gras ou sales, nettoyer à l'aide d'un torchon trempé dans du détergent. Utiliser uniquement le chargeur si les câbles et connecteurs d'entrée et de sortie sont en bon état et non endommagés. Si le câble d'entrée est endommagé, il est essentiel de le faire remplacer par le constructeur, son agent de service autorisé ou un atelier qualifié, pour éviter tout danger. Protéger le chargeur contre les acides et fumées acides, l'humidité et un environnement humide, aussi bien durant l'usage que l'entreposage. Les dégâts résultant de la corrosion, de l'oxydation ou de courts-circuits internes ne sont pas couverts par la garantie. Durant le chargement, éloigner le chargeur de la batterie pour éviter la contamination par l'acide ou les vapeurs acides ou l'exposition à ceux-ci. En cas d'utilisation horizontale, placer le chargeur sur une surface dure et plane, PAS en plastique, tissu ou cuir. Utiliser les trous de fixation de la base pour fixer le chargeur sur toute surface verticale appropriée et solide.

**EXPOSITION AUX LIQUIDES :** Ce chargeur est conçu pour résister à l'exposition aux liquides qui tomberaient accidentellement sur le boîtier, ou à une pluie légère. Une exposition prolongée à des liquides tombants ou à la pluie est à déconseiller. Une durée de vie supérieure résultera d'une telle précaution. Une panne due à l'oxydation résultant d'une pénétration de liquide dans les composants électroniques, bloc connecteurs ou fiches, ne sera pas couverte par la garantie.

**CONNEXIONS DE BATTERIE :** l'appareil est livré avec deux jeux de connexion interchangeables, l'un muni de pinces crocodiles pour le chargement de batteries hors véhicule, l'autre, optionnel, disposant de cosses à œillets pour la connexion permanente aux bornes de batterie, ainsi qu'un capuchon intempérisé réouvrable sur le connecteur relié au chargeur. Ce jeu de connexion permet la connexion sûre et facile du chargeur à la batterie sur véhicule. Le capuchon intempérisé réouvrable est conçu pour protéger le connecteur contre la saleté et l'humidité lorsque le chargeur n'est pas connecté. Consulter un agent de service professionnel pour toute assistance à la connexion des œillets métalliques aux bornes de batterie. Assurer le connecteur avec le capuchon intempérisé de manière à ce qu'il ne puisse gêner aucune pièce mobile du véhicule et pour éviter le pincement du câble ou son endommagement par des bords tranchants. Le fusible en ligne du jeu de connecteurs à œillets protège la batterie contre le court-circuitage accidentel des pôles positif et négatif. Remplacer un fusible sauté uniquement par un autre similaire de 15A.

### BRANCHEMENT DU CHARGEUR A LA BATTERIE

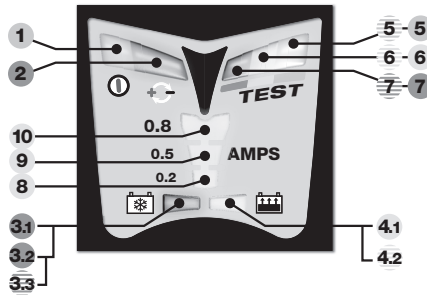
1. Débranchez l'alimentation secteur avant d'effectuer un branchement CC/batterie ou de le débrancher.
2. Si vous chargez une batterie installée dans le véhicule avec les pinces pour batterie, avant les branchements, vérifiez d'abord que les pinces pour batterie peuvent être positionnées en toute sécurité loin du câblage voisin, d'un tube métallique ou du châssis. Respectez l'ordre qui suit : branchez d'abord la borne de la batterie non raccordée au châssis (normalement positive) puis, branchez l'autre pince pour batterie (normalement négative) au châssis à un endroit bien éloigné de la batterie et du conduit de carburant. Débranchez toujours dans l'ordre inverse.
3. Lorsque vous chargez une batterie hors du véhicule avec les pinces pour batterie, placez-la dans un endroit bien ventilé. Branchez le chargeur à la batterie : La pince ROUGE sur la borne POSITIVE (POS, P ou +) et la pince NOIRE sur la borne NÉGATIVE (NEG, N ou -). Vérifiez que les branchements sont bien fixés. Un bon contact est important.
4. Si la batterie est complètement déchargée (et probablement sulfatée), retirez-la du véhicule et inspectez la batterie avant de brancher le chargeur pour une tentative de récupération. Vérifiez visuellement la batterie à la recherche de défauts mécaniques tels qu'un gonflement ou un boîtier craquelé ou encore de signes de fuite d'électrolyte. Si la batterie présente des bouchons de remplissage et que les plaques des cellules sont visibles de l'extérieur, examinez soigneusement la batterie pour tenter de déterminer si certaines cellules semblent différentes des autres (par exemple, de la matière blanche entre les plaques, les plaques qui entrent en contact). Si vous avez détecté des défauts mécaniques, ne chargez pas la batterie et faites-la examiner par un professionnel.
5. Si la batterie est neuve, avant de brancher le chargeur, lisez attentivement les instructions d'utilisation et de sécurité fournies par le fabricant de la batterie. Si besoin est, suivez attentivement et exactement les instructions relatives au remplissage de l'acide.

FR

SÉCURITÉ



# UTILISATION DE L'OPTIMATE 4



FR

**PROGRAMME DOUBLE:** OptiMate 4 est doté de deux programmes de charge. Un seul programme à la fois peut être lancé. Selon le modèle, OptiMate 4 sera livré avec le programme 1 (STANDARD) ou le programme 2 (CAN-bus) sélectionné par défaut.

**Programme 1 (STANDARD)** est le programme de charge normal pour une connexion directe à la batterie en toute condition. Toutes les fonctionnalités du programme sont actives, y compris les modes de désulfatation Standard, TURBO et IMPULSION.

**Programme 2 (CAN-bus)** active automatiquement une sortie 12 V sur les véhicules équipés de CAN-bus, pour charger, tester et maintenir la batterie lorsque le véhicule n'est pas utilisé. Les modes de désulfatation TURBO standard et haut voltage sont désactivés. Le mode de désulfatation par impulsions à bas voltage reste actif, pour récupérer une batterie déchargée qui reste connectée aux câbles du véhicule.

Le programme 2 peut aussi être utilisé pour charger et maintenir directement une batterie à l'intérieur ou à l'extérieur du véhicule, *mais ne peut récupérer une batterie sulfatée*. Pour récupérer une batterie sulfatée, sélectionnez le programme 1 et suivez les instructions sous **BATTERIES DÉGRADÉES TRÈS FAIBLES**.

**Indication de Programme** lorsque non connecté à une sortie 12 V ou une batterie:

STANDARD - seule l'alimentation de LED#1 est maintenue.

CAN-bus - la LED#1 POWER (ALIMENTATION) reste allumée, la LED#3 DÉSULFATER et la LED#4 CHARGE clignotent ensemble à intervalles réguliers.

## Pour passer d'un programme à l'autre:

1. Déconnectez le chargeur de la prise CA.
2. Connectez le set de pinces au chargeur et connectez la pince négative directement sur la pince positive.
3. Rebranchez le chargeur sur la prise CA.
4. Observez les indications suivantes :  
LED#3+4+5+6+7 clignotent 12 fois pendant la sélection du programme alterné (5 x long, 5 x court, 2 x long).  
Après le changement de programme les indications suivantes peuvent survenir (avec les pinces de batterie toujours connectées entre elles):
  - Passage de CAN-bus à STANDARD : seule la LED#1 POWER (alimentation) est maintenue.
  - Passage de STANDARD à CAN-bus : LED#3 et LED#4 clignotent ensemble à intervalles réguliers, la LED#8 se mettant à clignoter juste après.
5. Déconnectez les pinces. OptiMate 4 est prêt à charger une batterie selon le programme sélectionné

## COMMENCER LA CHARGE

**MARCHE : LED#1** - Confirme la présence d'alimentation AC vers le chargeur.

**PROTECTION POLARITÉ INVERSE : LED #2** - s'allume lorsque les connexions à la batterie sont erronées. Le chargeur bénéficie d'une protection électronique évitant l'endommagement, il n'y a aucun courant de sortie aussi longtemps que les connexions ne sont pas corrigées.

**INDICATIONS DE COURANT DE CHARGE : LED #8, 9, 10** - s'allument lorsque du courant est délivré à la batterie par impulsion ou en continu. Indications du niveau d'alimentation : LED #8 : 0,2A LED #8+9 : 0,5A LED #8+9+10 : 0,8A

## PROGRAMME 1 - STANDARD

**BATTERIES DÉGRADÉES ET TRÈS FAIBLES:** Si la batterie est complètement déchargée (et peut être même sulfatée), retirez-la du véhicule et examinez-la avant de la connecter au chargeur pour une tentative de récupération.

Le mode récupération TURBO du chargeur ne peut pas s'engager s'il capte une connexion entre la batterie et le circuit câblé du véhicule ce qui permet une résistance électrique plus faible qu'avec la batterie seule. Cependant, si la batterie complètement déchargée n'est pas retirée pour récupération, ni la batterie, ni le véhicule ne seront endommagés. **Tenir spécialement compte de ce qui suit, surtout pour les batteries relativement petites comme celles des motos, tracteur-tondeuses, jet ski, motoneiges et similaires:** Les cellules d'une batterie restée en décharge profonde durant une longue période peuvent être endommagées à titre permanent. Ces batteries peuvent chauffer excessivement durant la charge à courant élevé.

Vérifier la température de la batterie durant la première heure, puis chaque heure suivante. Vérifier la présence de signes inhabituels comme des bulles ou fuites d'électrolyte, une activité plus importante d'une cellule par rapport aux autres, ou des sifflements. Si à un moment quelconque, la batterie devient trop chaude au toucher ou si vous constatez des signes inhabituels, **DÉCONNECTER IMMÉDIATEMENT LE CHARGEUR.**

### TEST DE PRÉ-QUALIFICATION : LED #5 / 6 / 7

LES LED DE TEST #5/6/7 indiquent l'état de la batterie avant de commencer à recharger. La charge commence au bout de 10 secondes. Consultez le tableau «**AVERTISSEMENTS ANTICIPÉS DES PROBLÈMES DE BATTERIE**» en page 2 (illustration 2) pour les indications des LED TEST.

LED #7 (rouge) clignotante : OptiMate 4 envoie un signal test pour vérifier si la batterie est récupérable. Dès que les indications sont stables pendant 10 secondes, la charge commence. Si le clignotement continue, la récupération de la batterie échouera.

### RÉCUPÉRATION/DÉSULFATATION : LED #3

Ce mode se déclenche si pendant la pré-qualification LED #7 (rouge) ou LED #6 (jaune) donnaient un signal. Le programme va déterminer le bon mode de charge. Temps de charge : minimum 15 minutes, maximum 2 heures.

**Récupération STANDARD pour batteries dégradées - LED #3 fixe :** Jusqu'à 16 V sont applicables avec un courant limité à 0,2A. Si la batterie ne peut pas recevoir la charge, la récupération TURBO se déclenche au bout de 5 secondes. Les batteries pouvant accepter 0,2 A de charge électrique iront vers une récupération par IMPULSION.

**La récupération TURBO pour des batteries en très mauvais état - LED #7 clignotante :** le voltage du débit augmente jusqu'au maximum de 22 V avec un courant limité à 0,2 A.

**La récupération IMPULSION - 15 dernières minutes - LED #3 fixe :** le courant qui va jusqu'à 0,8 A est envoyé par impulsions pour préparer la batterie à recevoir la charge.

### CHARGE : LED #4

**Charge PRINCIPALE - LED #4 fixe :** un courant de charge constant de 0,8 A jusqu'à 14,2 - 14,4 V est délivré à la batterie.

**Charge FINALE - LED #4 clignotante :** étape d'absorption par impulsion : le courant passe par impulsion, variant de 0,2 et 0,8 A jusqu'au voltage de 14,2 - 14,4 V, pour amener la batterie à une charge complète en un temps minimum. Étape de vérification : lorsque la demande effective est inférieure à 0,2 A, le voltage de charge est alors limité à 13,6 V tandis que le niveau de charge de la batterie est vérifié.

Si la batterie nécessite plus de charge, le programme passera à l'absorption par impulsion.

Si la batterie a accepté autant de charge que son état initial le permet, le programme passe à l'étape de rétention de voltage suivante.

**REMARQUE :** pour des raisons de sécurité, il y a une limite de charge absolue de 48 heures.

### TEST DE RÉTENTION DE VOLTAGE : LED #5 clignotante

L'arrivée du courant dans la batterie est interrompue pendant 30 minutes pour permettre au programme de déterminer la capacité de la batterie à retenir la charge. Pour des batteries en bon état, LED #5 (verte) devrait continuer à clignoter pendant toute la période des 30 minutes. Consultez le tableau «**AVERTISSEMENT ANTICIPÉ DES PROBLÈMES DE BATTERIE**» page 2 pour les indications des LED autres que LED #5 (verte). Un problème significatif existe si la batterie est incapable de retenir suffisamment de charge pendant le test de 30 minutes. Lisez le chapitre REMARQUES SUR LES RÉSULTATS DES TESTS concernant les raisons des mauvais tests ou comment tester une batterie qui renvoie un bon résultat au test, mais qui ne peut fournir assez de puissance lors de sa remise en service.

### CHARGE DE MAINTENANCE : LED #5 / 6 / 7 fixes

Pendant 30 minutes, le circuit donne du courant à la batterie avec une limite raisonnable de 13,6 V alors que le résultat du test de rétention de voltage est affiché. Consultez le tableau «**AVERTISSEMENT ANTICIPÉ DES PROBLÈMES DE BATTERIE**» page 2 pour les indications des LED autres que LED #5 (verte). Les périodes de charge de maintien de 30 minutes alternent avec des périodes de test de RÉTENTION DE VOLTAGE jusqu'à déconnexion de la batterie. Une description plus détaillée du cycle de maintenance automatique pour le stockage à long terme de la batterie se trouve sous le chapitre MAINTENANCE AUTOMATIQUE DE LA BATTERIE.

## PROGRAMME 2 - CAN-bus

**IMPORTANT:** Les modes STANDARD et CHARGE DE RÉCUPÉRATION haut voltage sont désactivés. Ce programme est conçu pour la charge, le test et la maintenance à long terme de batteries montées sur des véhicules équipés de CAN-bus

**RECOMMANDATION :** Chargez via une prise DIN 12 V avec l'accessoire optionnel O-2 approprié (connecteur sortie 12 V pour prise d'alimentation auto et DIN) ou O-9 / O-19 (Connecteur DIN 12 V avec extension).

### INDICATIONS DE LED AVANT CONNEXION À LA BATTERIE :

**LED #3+4 clignotantes:** le programme envoie un signal et active une sortie 12 V contrôlée par CAN-bus.

**LED #3+4+5+6+7 clignotantes:** un court-circuit a été détecté dans les terminaux de sortie, ou alors LED #2 (POLARITÉ INVERSE) indique également que les connexions de la batteries sont erronées. Le chargeur est protégé électroniquement, donc ne peut subir aucun dommage, et la sortie restera désactivée jusqu'à ce que les connexions soient corrigées.

### TEST DE PRÉ-QUALIFICATION : LED #5 / 6 / 7

LES LED TEST #5/6/7 indiquent une activation réussie de la sortie 12 V du CAN-bus et l'état de la batterie avant de charger. La charge commence après 10 secondes. Consultez le tableau «AVERTISSEMENTS ANTICIPÉS DES PROBLÈMES DE BATTERIE» en page 2 (illustration 2) pour les indications des LED TEST.

**REMARQUE:** la non activation peut être due à : le programme 1 est sélectionné/mauvaise connexion sur la sortie 12 V/Batterie trop faible pour alimenter le CAN-bus/Programmation CAN-bus périmée sur le véhicule, consultez le fabricant du véhicule.

### RÉCUPÉRATION/DÉSULFATATION : LED#3

Ce mode se déclenche si pendant la pré-qualification LED #7 (rouge) ou LED #6 (jaune) donnaient un signal. Le programme du CAN-bus peut être sélectionné uniquement en mode récupération par IMPULSION à faible voltage. Temps de charge : 15 minutes.

**Récupération par IMPULSION - LED #3 fixe:** courant jusqu'à 0,8 A délivré par impulsions afin de préparer la batterie à accepter une charge complète.

### CHARGE : LED #4

**Charge PRINCIPALE - LED#4 fixe:** un courant de charge constant de 0,8 A jusqu'à 14,2 - 14,4 V est délivré à la batterie.

**Charge FINALE - LED #4 clignotante:** étape d'absorption par impulsion : le courant passe par impulsions, variant de 0,2 et 0,8 A jusqu'au voltage de 14,2 - 14,4 V, pour amener la batterie à une charge complète en un temps minimum. Étape de vérification : lorsque la demande actuelle est inférieure à 0,2 A, le voltage de charge est alors limité à 13,6 V tandis que le niveau de charge de la batterie est vérifié.

Si la batterie nécessite plus de charge, le programme passera à l'absorption par impulsion.

Si la batterie a accepté autant de charge que son état initial le permet, le programme passe à l'étape de rétention de voltage suivante.

**REMARQUE 1:** le programme se relance automatiquement au bout de 2 minutes après une déconnexion manuelle ou si le système de CAN-bus a désactivé la sortie 12 V, et si le programme n'a pas pu réactiver la sortie dans les 2 minutes.

**REMARQUE 2:** pour des raisons de sécurité, il y a une limite de charge de 48 heures.

### TEST DE RÉTENTION DE VOLTAGE : LED #5 clignotante

L'alimentation en courant de la batterie est interrompue pendant 30 minutes afin de déterminer la capacité de la batterie à retenir la charge. Cela provoquera la désactivation de la sortie 12 V par le système CAN-bus dans ses propres limites de temps, déconnectant la batterie du chargeur. À la conclusion de la période de test, le programme initialisera une fois encore la sortie 12 V, contrôlée pour mesurer le voltage de la batterie et procéder ensuite à la CHARGE DE MAINTENANCE, pendant laquelle le résultat du test s'affiche.

Consultez le tableau «AVERTISSEMENT ANTICIPÉ DES PROBLÈMES DE BATTERIE» page 2 pour les indications des LED. Lisez le chapitre REMARQUES SUR LES RÉSULTATS DES TESTS concernant les mauvais résultats, ou comment tester une batterie qui renvoie un bon résultat mais ne peut fournir suffisamment d'alimentation lorsqu'elle est remise en service. **REMARQUE:** Si pendant le test le chargeur est manuellement déconnecté de la sortie 12 V ou de la batterie, il se relancera automatiquement lors de la reconnexion jusqu'à la fin de la période de test.

### CHARGE DE MAINTENANCE : LED #5 / 6 / 7 fixes

Pendant 30 minutes, le circuit donne du courant à la batterie avec une limite raisonnable de 13,6 V alors que le résultat du test de rétention de voltage est affiché. Les périodes de charge de maintien de 30 minutes alternent avec des périodes de test de RÉTENTION DE VOLTAGE jusqu'à déconnexion de la batterie. Une description plus détaillée du cycle de maintenance automatique pour le stockage des batteries long terme se trouve sous le chapitre MAINTENANCE AUTOMATIQUE DE BATTERIE.

**REMARQUE 1:** le programme se relance automatiquement au bout de 2 minutes après une déconnexion manuelle ou si le système CAN-bus a désactivé la sortie 12 V, et si le programme n'a pas pu réactiver la sortie dans les 2 minutes.

## REMARQUES SUR LES RÉSULTATS DU TEST:

1. Pour tout résultat différent d'une LED #5 verte, déconnecter la batterie du système électrique du véhicule et reconnecter l'OptiMate. Si on obtient ensuite un meilleur résultat, cela indique que les pertes de puissance sont dues en partie à un problème du système électrique et non à la batterie. Si les mauvais résultats persistent, il est conseillé d'amener la batterie dans un atelier professionnel équipé d'appareils de test professionnels pour procéder à une analyse approfondie.

2. Pendant le cycle de charge le résultat du TEST va continuer à s'afficher jusqu'à ce que le cycle de TEST et de MAINTENANCE se soit répété. Si la perte de tension provenait d'un courant de batterie de nature temporaire, l'indication LED peut revenir à un meilleur niveau.

3. Si la LED #7 rouge seule, ou la LED #6 jaune et la LED #7 rouge s'allument en même temps, un problème significatif existe. Les rouge / jaune + rouge, (ou LED jaune seul pour batterie scellée) signifient qu'après la charge la tension de la batterie n'est pas maintenue ou que malgré des tentatives de récupération, la batterie est irrécupérable. Ceci peut être dû à une panne de la batterie comme une cellule court-circuitée ou une sulfatation totale, ou, dans le cas d'une batterie toujours connectée au système électrique supporté, le LED #7 rouge peut signaler la perte de courant via un câblage détérioré ou un commutateur ou un contact dégradé, ou la présence d'accessoires consommateurs de courant au sein du circuit. Une consommation soudaine, comme l'allumage des phares du véhicule lorsque le chargeur est connecté, peut également entraîner une chute de tension significative sur la batterie.

4. **BON RÉSULTAT DE TEST**, mais la batterie ne peut pas libérer suffisamment de puissance : un dommage permanent dans la batterie peut provoquer une décharge excessive dont elle est la cause ; même une batterie en partie endommagée peut garder initialement assez de charge, mais perdra de la puissance plus vite que normalement. Déconnectez la batterie de OptiMate. Après au moins 12 heures, reconnectez et observez le résultat du TEST pendant le TEST DE PRÉ-QUALIFICATION.

**MAINTENANCE AUTOMATIQUE DE LA BATTERIE:** Le CYCLE DE CHARGE DE MAINTENANCE se compose de périodes de 30 minutes de charge d'entretien suivies par et alternant avec des périodes de repos de 30 minutes, sans courant de charge. Ce cycle à 50% de charge évite la perte d'électrolyte dans les batteries scellées et réduit au minimum la perte progressive d'eau des batteries à bouchon de remplissage, ce qui contribue de manière significative à l'optimisation de la durée utile de batteries utilisées de manière irrégulière ou saisonnière. Le circuit alimente la batterie en courant avec une limite de sécurité de 13,6V (charge d'entretien), lui permettant d'entretenir un courant aussi faible soit-il et nécessaire pour la maintenir à pleine charge (ou quasiment) et pour compenser les petites pertes électriques imposées par les accessoires du véhicule ou l'ordinateur embarqué ou par la décharge graduelle de la batterie elle-même.

**MAINTENANCE D'UNE BATTERIE DURANT DES PÉRIODES PROLONGÉES:** L'OptiMate maintiendra une batterie dont l'état est bon, en toute sécurité durant plusieurs mois. Vérifier au moins une fois par quinzaine la sécurité des connexions entre chargeur et batterie. Dans le cas de batteries équipées de bouchons de remplissage sur chaque cellule, déconnecter la batterie du chargeur, vérifier le niveau d'électrolyte et faire l'appoint si nécessaire (**en eau distillée, PAS en acide**), puis reconnecter. Lors de la manipulation de batteries ou à proximité de celles-ci, toujours respecter les AVERTISSEMENTS DE SÉCURITÉ ci-dessus.

## Temps de charge

La durée minimale requise par l'OptiMate 4 pour compléter un cycle de charge et d'essai et fournir un résultat, même sur une batterie entièrement chargée, est de 45 minutes. Le temps de charge d'une batterie déchargée mais non endommagée est comparable à la valeur de capacité nominale de la batterie en Ah, ce qui signifie qu'une batterie de 20Ah aurait besoin de moins de 20h pour aboutir à l'essai de décharge (\$5). Ce temps peut être considérablement plus élevé pour les batteries profondément déchargées.

Il se pourrait que l'utilisation de l'OptiMate 4 avec une batterie automobile à grande capacité et profondément déchargée, ne permette pas d'atteindre la pleine charge dans la limite de sécurité de 48h. Le cas échéant, suivre la procédure de réinitialisation ci-dessous.

## Réinitialisez la charge ou le cycle de test

Déconnectez la prise secteur CA. Attendez que la LED POWER ON #1 s'allume. Dès que le branchement se fait sur le CA, toutes les LED, hormis les #1, 2, 3, 8, 9, et 10 clignotent deux fois pour confirmer le bon état du microprocesseur, indépendamment du fait que le chargeur soit resté connecté à une batterie ou pas.

## GARANTIE LIMITÉE

TecMate International SA, Sint-Truidensesteenweg 252, B-3300 Tienen, Belgique, consent la présente garantie au premier client utilisateur de ce produit, sans possibilité de transfert. TecMate (International) garantit ce chargeur pendant trois ans à compter de la date d'achat au détail contre les défauts de composants ou d'assemblage. Le cas échéant, le chargeur sera réparé ou remplacé à la discrétion du fabricant. L'acheteur doit expédier, à ses frais, l'appareil ainsi qu'une preuve d'achat (voir "NOTE") au fabricant ou à son représentant agréé. Cette garantie limitée devient nulle si l'appareil est utilisé ou manipulé de façon inadéquate ou s'il a été réparé par toute personne physique ou morale autre que le fabricant ou un représentant agréé. Le fabricant n'offre aucune autre garantie que la présente, et exclut expressément toute garantie contre les dommages consécutifs.

CECI EST LA SEULE GARANTIE EXPRESSÉMENT CONSENTIE PAR LE FABRICANT. CELUI-CI N'ASSUME ET N'AUTORISE QUICONQUE À ASSUMER OU ETABLIR TOUTE AUTRE OBLIGATION LIÉE À CE PRODUIT, AUTRE QUE CETTE GARANTIE LIMITÉE EXPRESSÉMENT CONSENTIE. VOS DROITS STATUTAIRES NE SONT PAS AFFECTÉES.

NOTE : Voir [www.tecmate.com/warranty](http://www.tecmate.com/warranty) ou contactez [warranty@tecmate.com](mailto:warranty@tecmate.com)

copyright © 2012 TecMate International

OptiMate 4 et les noms des autres appareils mentionnés dans ce texte tels que BatteryMate, TestMate et TestMate mini, sont des marques déposées de TecMate International SA.

On peut trouver plus d'information sur les produits de TecMate sur [www.tecmate.com](http://www.tecmate.com).

# Optimate™4

## CARGADOR DE DIAGNÓSTICO AUTOMÁTICO PARA BATERÍAS PLOMO-ÁCIDO DE 12 V A PARTIR DE 3Ah - 50Ah ENCONTRADAS EN:



**NO UTILIZAR CON BATERÍAS DE NiCd, NiMH, Li-Ion O BATERÍAS NO RECARGABLES.**

Entrada: 220-240V ~ máximo 0,095A. La corriente máxima de salida está 0,8A.

### IMPORTANTE: LEA COMPLETAMENTE LAS SIGUIENTES INSTRUCCIONES ANTES DE UTILIZAR EL CARGADOR

Este aparato no puede ser utilizado por que lo utilicen personas (incluidos niños) con capacidades físicas, sensoriales o mentales disminuidas, o bien con falta de experiencia y conocimientos, a menos que una persona responsable de su seguridad las supervise o les dé instrucciones sobre el uso del aparato. Es necesario supervisar a los niños para asegurarse de que no juegan con el aparato.

**AVISOS Y PRECAUCIONES DE SEGURIDAD:** Las baterías emiten GASES EXPLOSIVOS, evite la posibilidad de llamas o chispas cerca de las baterías. Desconecte de la red CA antes de realizar o deshacer conexiones en la batería. El ácido de la batería es altamente corrosivo. Utilice ropa y gafas de protección y evite el contacto con el ácido. En caso de contacto accidental, enjuague inmediatamente la zona afectada con agua y jabón. Compruebe que los polos de la batería no estén sueltos, y si lo están, lleve la batería a un servicio técnico. Si los bornes presentan corrosión, límpielos con un cepillo de hilo de cobre, y si presentan grasa o suciedad, límpielos con un trapo humedecido en detergente. Utilice el cargador solamente si los cables y conectores de entrada y salida se encuentran en buenas condiciones y sin daños. Si el cable de entrada está dañado, es fundamental que el fabricante, el servicio técnico autorizado o un taller capacitado lo sustituyan sin demora para evitar riesgos. Proteja el cargador del ácido y de las emisiones de gases de ácido y de ambientes húmedos o superficies mojadas durante su utilización y almacenamiento. La garantía no cubre daños derivados de la corrosión, oxidación o cortocircuitos eléctricos internos. Coloque el cargador a una distancia adecuada de la batería durante la recarga para evitar la contaminación o la exposición al ácido o vapores de ácido. Si se utiliza en posición horizontal, coloque el cargador en una superficie dura y plana, PERO NUNCA sobre plástico, tela o piel. Utilice los orificios de fijación de la base de la carcasa para fijar el cargador en una superficie cómoda y totalmente horizontal.

**EXPOSICIÓN A LÍQUIDOS:** Este cargador fue desarrollado para resistir a líquidos que hubieran sido derramados de form accidental o a intemperies ligeras. No obstante, no se recomiendan las exposiciones prolongadas, que podrían menguar la duración de vida del cargador. Los desgastes, resultado de la oxidación debida al ataque eventual de líquidos en los componentes electrónicos, los conectadores o enchufes no se cubren por la garantía.

**CONEXIONES DE BATERÍA:** Hay 2 juegos de conectores intercambiables. Se suministran con el cargador un juego de pinzas de batería para recargarla fuera del vehículo, y un juego de conexión opcional que comporta unos orificios metálicos que se conectan permanentemente a los bornes de la batería. Hay una tapa impermeable que protege la otra extremidad del conector. Este tipo de conector permite una conexión fácil y segura al cargador sin tener que sacar la batería del vehículo. La tapa impermeable está diseñada para proteger el conector de la suciedad y la humedad cuando el cargador no esté conectado. Pregunte a un mecánico profesional antes de conectar el conector con orificios a los bornes de la batería. Asegure los los conectores para evitar que se enganchen con alguna pieza móvil del vehículo o estropeen o dañen algún cable con los bordes afilados. El fusible en línea del juego de conectores con orificios protege la batería contra los cortocircuitos accidentales entre los conductores positivo y negativo. Sustituya los fusibles quemados con un fusible nuevo similar de 15 A.

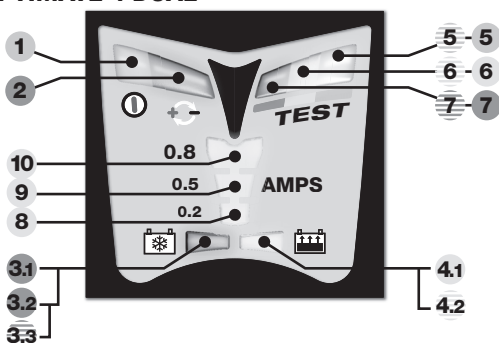
### CONEXIÓN DEL CARGADOR A LA BATERÍA

1. Desconecte la alimentación CA antes de efectuar o deshacer las conexiones en la batería.
2. Si se va a cargar una batería montada en el vehículo con las pinzas, compruebe primero que las pinzas se pueden colocar de forma segura y correcta, lejos del cableado, los tubos metálicos o del chasis, antes de efectuar las conexiones. Realice las conexiones en este orden: realice primero la conexión al terminal de la batería que no está conectado con el chasis (normalmente positivo), luego conecte la otra pinza de batería (normalmente negativa) al bastidor a una distancia suficiente de la batería y de la tubería de combustible. Desconecte siempre realizando los pasos anteriores en orden inverso.
3. Cuando cargue una batería fuera del vehículo con las pinzas, colóquela en un lugar bien ventilado. Conecte el cargador a la batería: pinza ROJA con el terminal POSITIVO (POS, P o +) y pinza NEGRA con el terminal NEGATIVO (NEG, N o -). Asegúrese de que las conexiones son firmes y seguras. Es importante que hagan bien contacto.
4. Si la batería está excesivamente descargada (y posiblemente sulfatada), retirela del vehículo e inspecciónela antes de conectar el cargador para intentar recuperarla. Examine visualmente la batería en busca de desperfectos mecánicos, como bombas o fisuras en la carcasa, o indicios de fugas de electrolito. Si la batería tiene tapones de llenado y se pueden ver desde fuera las placas del interior de las células, examine detenidamente la batería para comprobar si hay células que parezcan distintas de las demás (por ejemplo, con materia blanca entre las placas o placas en contacto). Si se han detectado desperfectos mecánicos, no intente cargar la batería, encargue su evaluación a personal cualificado.
5. Si la batería es nueva, lea atentamente las instrucciones de seguridad y uso del fabricante de la misma antes de conectar el cargador. En su caso, siga estrictamente las instrucciones de llenado de ácido.

ES

SEGURIDAD

## UTILIZAR EL OPTIMATE 4 DUAL



ES

**PROGRAMA DUAL:** OptiMate 4 está equipado con dos programas de carga. Solo puede utilizarse un programa a la vuelta. El OptiMate 4 DUAL incluye el programa 1 (ESTÁNDAR) y el programa 2 (CAN-bus). El programa 1 esta preseleccionado por defecto.

**Programa 1 (ESTÁNDAR)** es el programa normal de carga para la conexión directa a una batería, cual que sea su estado. Todas las funciones del programa están activas, incluidos los modos de desulfatación Estándar, TURBO y POR IMPULSOS.

**Programa 2 (CAN-bus)** activa automáticamente una salida de 12 V en vehículos equipados con CAN-bus para cargar, probar y mantener la batería, cuando el vehículo está almacenado. **El modo de desulfatación estándar y el TURBO de alta tensión están desactivados.** El modo de desulfatación POR IMPULSOS de baja tensión permanece activo para recuperar una batería descargada que sigue conectada al cableado del vehículo.

El programa 2 también puede usarse directamente y mantener una batería dentro o fuera del vehículo, *pero no puede recuperar una batería sulfatada.* Para recuperar una batería sulfatada, seleccione el programa 1 y siga las instrucciones en **BATERÍAS INUTILIZADAS MUY DESCARGADAS.**

**Señalización del programa,** cuando no está conectado a una salida de 12 V o a una batería.

ESTÁNDAR: solo se mantiene encendido el LED #1 de alimentación.

CAN-bus: el LED #1 DE ALIMENTACIÓN permanece encendido, mientras que el LED #3 DE DESULFATACIÓN y el LED #4 DE CARGA parpadean brevemente al mismo tiempo a intervalos periódicos.

### Para cambiar de un programa al otro:

1. Desconecte el cargador de la red CA.

2. Fije las pinzas entre ellas, creando un contacto directo entre la positiva y la negativa.

3. Conecte de nuevo el cargador a la toma CA.

4. Observe las siguientes indicaciones LED:

Los LED #3, 4, 5, 6 y 7 parpadean 12 veces durante la selección del programa alterno (5 lento, 5 rápido, 2 lento).

Una vez que se ha cambiado el programa, pueden observarse las siguientes indicaciones (con los clips de la batería todavía conectados):

- Cambio de CAN-bus hacia ESTÁNDAR: solo sigue encendido el LED #1 DE POTENCIA.
- Cambio de ESTÁNDAR a CAN-bus: los LED #3 y #4 parpadean conjuntamente a intervalos periódicos, seguidos inmediatamente del LED #8.

5. Desconecte los clips de la batería. OptiMate 4 está listo para cargar una batería según el programa seleccionado.

## INICIAR LA CARGA

**POTENCIA ACTIVADA (LED #1):** Este LED confirma la alimentación AC hacia el cargador.

**PROTECCIÓN DE POLARIDAD INVERTIDA (LED #2):** Se enciende cuando las conexiones de la batería son incorrectas. El cargador cuenta con una protección electrónica, por lo tanto no se producirá ningún daño, y la corriente de salida permanecerá desactivada hasta que se corrijan las conexiones.

**BARRA DE CORRIENTE DE CARGA (LED #8, 9 y 10):** Se iluminan cuando se suministra corriente pulsada o continua a la batería.

Indicaciones del nivel de corriente: LED #8: 0,2 A LED #8 y 9: 0,5 A LED #8, 9 y 10: 0,8 A

## PROGRAMA 1: ESTÁNDAR

**BATERÍAS INUTILIZADAS O MUY DESCARGADAS:** Si la batería está excesivamente descargada (y posiblemente sulfatada), retirela del vehículo e inspecciónela antes de conectar el cargador para intentar recuperarla.

El modo de recuperación **TURBO** del cargador no puede activarse si detecta que la batería está todavía conectada a un circuito de cableado del vehículo, que ofrece de forma efectiva una resistencia eléctrica inferior a la batería misma. Sin embargo, si la batería muy descargada no se retira para su recuperación, no se dañará ni la batería ni la electrónica del vehículo. Preste especial atención a los siguientes puntos, que son especialmente importantes en el caso de baterías relativamente pequeñas, como pueden ser de motocicletas, tractores de jardín, motos de agua, motos de nieve y similares: Una batería que haya permanecido descargada durante un período largo puede desarrollar daños permanentes en una o más células. Esas baterías pueden calentarse en exceso durante la fase de alta tensión. Pare inmediatamente la carga de la batería si está demasiado caliente al tacto.

Controle la temperatura de la batería durante la primera hora, a partir de entonces, contrólela cada hora. Permanezca atento a señales inusuales, como pueden ser el burbujeo o la fuga de electrolito, una mayor actividad en una célula en comparación con las otras o sonidos silbantes. Si en cualquier momento la batería está demasiado caliente o nota cualquier señal que no sea normal, **DESCONECTE EL CARGADOR INMEDIATAMENTE.**

### PRUEBA DE PRECUALIFICACIÓN: LED #5, 6 y 7

Los LED DE PRUEBA #5, 6 y 7 indican el estado de la batería antes de cargarla. La carga comienza transcurridos 10 segundos. Consulte la tabla de «**ADVERTENCIA PRECOZ DE PROBLEMAS CON LA BATERÍA**» de la página 2 (ilustración 2) para averiguar las indicaciones del LED DE PRUEBA.

El LED #7 (rojo) parpadea: OptiMate 4 está enviando una señal de prueba para ver si la batería es recuperable. Una vez que la señal se mantiene hasta 10 segundos comenzará la carga. Si el parpadeo continúa, la batería no puede recuperarse satisfactoriamente.

### RECUPERACIÓN / DESULFATACIÓN: LED #3

Este modo se activa si durante la precualificación el LED #7 (rojo) o el LED #6 (amarillo) o ambos se iluminan. El programa determinará el modo de carga adecuado. Tiempo de carga: mínimo 15 minutos, máximo 2 horas.

**Recuperación ESTÁNDAR para baterías inutilizadas (LED #3 fijo):** se aplican hasta 16 V, limitándose la corriente a 0,2 A. Si la batería no puede aceptar una carga, la recuperación **TURBO** se activará tras 5 segundos. Las baterías que pueden aceptar 0,2 A de corriente de carga pasarán a la recuperación **POR IMPULSOS**.

**Recuperación TURBO para baterías descuidadas (LED #3 parpadea):** la tensión de salida aumenta a un máximo de 22 V, con la corriente limitada a 0,2 A.

**Recuperación POR IMPULSOS (últimos 15 minutos, LED #3 fijo):** se suministra hasta 0,8 A de corriente por impulsos para preparar a la batería a que acepte una carga normal. *Este modo es especialmente eficaz para la recuperación de baterías activadas de fábrica / baterías «de alto rendimiento» de plomo puro o baterías AGM con células cíclicas.*

### CARGA: LED #4

**Carga PRINCIPAL (LED #4 fijo):** se suministra a la batería una corriente constante de 0,8 A hasta una tensión de 14,2-14,4 V. **Carga FINAL (LED #4 parpadea):** etapa de absorción pulsada; la corriente se suministra por impulsos, variando entre 0,2 y 0,8 A y hasta una tensión de 14,2-14,4 V, para cargar por completo la batería en el menor tiempo posible. Etapa de verificación: una vez que la petición de corriente es inferior a 0,2 A la tensión de carga se limita a 13,6 V, mientras se verifica el nivel de carga de la batería. Si la batería necesita más carga, el programa volverá a la absorción pulsada.

Si la batería ha aceptado tanta carga como su estado básico permite, se procederá con el paso de retención de tensión. **OBSERVACIÓN:** por razones de seguridad hay un límite temporal de carga general de 48 horas.

### PRUEBA DE RETENCIÓN DE TENSIÓN: LED #5 parpadea

El suministro de corriente a la batería se interrumpe durante 30 minutos para permitir que el programa determine la capacidad de la batería de retener la carga. Para las baterías en buen estado, el LED #5 (verde) debería seguir parpadeando durante el período completo de 30 minutos. Consulte la tabla «**ADVERTENCIA PRECOZ DE PROBLEMAS CON LA BATERÍA**» de la página 2 para averiguar las indicaciones de LED distintas del LED #5 (verde). Existe un problema importante si la batería no puede retener suficiente carga durante el período de prueba de 30 minutos. Lea el apartado **OBSERVACIONES SOBRE LOS RESULTADOS DE LA PRUEBA** para averiguar las razones de resultados de pruebas deficientes o cómo probar una batería que ofrece un buen resultado, pero no puede suministrar suficiente potencia una vez que está de nuevo operativa.

### CARGA DE MANTENIMIENTO: LED #5, 6 y 7 fijos

Durante 30 minutos, el circuito suministra corriente a la batería dentro de un límite de tensión seguro de 13,6 V, mientras se muestra el resultado de la prueba de retención de tensión. Consulte la tabla «**ADVERTENCIA PRECOZ DE PROBLEMAS CON LA BATERÍA**» de la página 2 para averiguar las indicaciones de LED distintas del LED #5 (verde). Tienen lugar los períodos de mantenimiento de carga flotante de 30 minutos, que alternan con los períodos de **PRUEBA DE RETENCIÓN DE TENSIÓN** de 30 minutos hasta que se desconecta la batería. En el apartado **MANTENIMIENTO AUTOMÁTICO DE LA BATERÍA**, se encuentra una descripción más detallada del ciclo de mantenimiento automático para el almacenamiento a largo plazo de las baterías.

ES



## PROGRAMA 2: CAN-bus

**IMPORTANTE:** los modos de alta tensión ESTÁNDAR y CARGA DE RECUPERACIÓN están desactivados. Este programa está diseñado para la carga, la prueba y el mantenimiento a largo plazo de baterías montadas en vehículos equipados con CAN-bus.  
**RECOMENDADO:** carga a través de la toma 12 V de la moto utilizando nuestro conector DIN/mechero 0-2 o 0-9.

### SEÑALIZACIONES LED ANTES DE CONECTAR LA BATERÍA:

Los LED #3 y 4 parpadean: el programa envía una señal para detectar y activar una salida de 12 V controlada por CAN-bus.  
Los LED #3, 4, 5, 6 y 7 parpadean: se ha detectado un cortocircuito en los terminales de salida, o si el LED #2 (POLARIDAD INVERSA) también se ilumina, las conexiones de la batería son incorrectas. El cargador está protegido electrónicamente, con lo que no se producirá ningún daño, y la salida permanecerá desactivada hasta que se corrijan las conexiones.

### PRUEBA DE PRECUALIFICACIÓN: LED #5, 6 y 7

Los LED DE PRUEBA #5, 6 y 7 señalan la activación correcta de la salida de 12 V controlada por CAN-bus y el estado de la batería antes de la carga. La carga comienza tras 10 segundos. Consulte la tabla de «ADVERTENCIA PRECOZ DE PROBLEMAS CON LA BATERÍA» de la página 2 (ilustración 2) para averiguar las indicaciones del LED DE PRUEBA.

**OBSERVACIÓN:** a no activación puede deberse a una de las siguientes razones: se ha seleccionado el programa 1 / conexión deficiente con la salida de 12 V / batería demasiado baja para activar el CAN-bus / programación obsoleta de CAN-bus en el vehículo: consulte al fabricante del vehículo.

### RECUPERACIÓN / DESULFATACIÓN: LED #3

Este modo se activa si durante la precualificación el LED #7 (rojo) o el LED #6 (amarillo) o ambos se iluminan. El programa de CAN-bus solo puede seleccionar el modo de recuperación de baja tensión POR IMPULSOS. Tiempo de carga: 15 minutos.

**Recuperación POR IMPULSOS (LED #3 fijo):** se suministra hasta 0,8 A de corriente por impulsos para preparar la batería a aceptar una carga completa de corriente.

### CARGA: LED #4

**Carga PRINCIPAL (LED #4 fijo):** se suministra a la batería una corriente constante de 0,8 A con una tensión de hasta 14,2-14,4 V.

**Carga FINAL (LED #4 parpadea):** paso de absorción pulsada; la corriente se suministra por impulsos, variando entre 0,2 y 0,8 A y hasta una tensión de 14,2-14,4 V, para cargar por completo la batería en el menor tiempo posible. Etapa de verificación: una vez que la petición de corriente es inferior a 0,2 A la tensión de carga se limita a 13,6 V, mientras se verifica el nivel de carga de la batería.

Si la batería necesita más carga, el programa volverá a la absorción pulsada.

Si la batería ha aceptado tanta carga como su estado básico permite, se procederá con el paso de retención de tensión.

**OBSERVACIÓN 1:** el programa se reinicia automáticamente 2 minutos después de la desconexión manual, o si el sistema de CAN-bus ha desactivado la toma de 12 V de la moto y el programa no pudo reactivar la salida en un plazo de 2 minutos.

**OBSERVACIÓN 2:** por razones de seguridad, hay un límite temporal de carga general de 48 horas.

### PRUEBA DE RETENCIÓN DE TENSIÓN: LED #5 parpadea

El suministro de corriente a la batería se interrumpe durante 30 minutos para determinar la capacidad de retención de carga de la batería. Esto hará que el sistema de CAN-bus desactive la toma 12 V de la moto dentro de su propio límite temporal fijado, desconectando la batería del cargador. Al finalizar este periodo de prueba, el programa inicializará de nuevo dicha toma para medir la tensión de la batería y proceder después a la CARGA DE MANTENIMIENTO durante la cual se mostrará el resultado de la prueba.

Consulte la tabla «ADVERTENCIA PRECOZ DE PROBLEMAS CON LA BATERÍA» de la página 2 para averiguar las indicaciones de los LED. Lea el apartado OBSERVACIONES SOBRE LOS RESULTADOS DE LA PRUEBA para averiguar las razones de resultados de pruebas deficientes o cómo probar una batería que ofrece un buen resultado, pero no puede suministrar suficiente potencia una vez que está de nuevo operativa. **OBSERVACIÓN:** si durante la prueba el cargador se desconecta manualmente de la salida de 12 V o de la batería, no se reiniciará automáticamente hasta el final del periodo de prueba.

### CARGA DE MANTENIMIENTO: LED #5, 6 y 7 fijos

Durante 30 minutos, el circuito suministra corriente a la batería dentro de un límite de tensión seguro de 13,6 V, mientras se muestra el resultado de la prueba de retención de tensión. Tienen lugar los períodos de mantenimiento de carga flotante de 30 minutos, que alternan con los períodos de PRUEBA DE RETENCIÓN DE TENSIÓN DE 30 minutos hasta que se desconecta la batería. En el apartado MANTENIMIENTO AUTOMÁTICO DE LA BATERÍA, hallará una descripción más detallada del ciclo de mantenimiento automático para el almacenamiento a largo plazo de las baterías.

**OBSERVACIÓN 1:** el programa se reinicia automáticamente 2 minutos después de la desconexión manual, o si el sistema de CAN-bus ha desactivado la salida de 12 V controlada y el programa no pudo reactivar la salida en un plazo de 2 minutos.



## OBSERVACIONES SOBRE LOS RESULTADOS DE LA PRUEBA:

1. Con cualquier resultado de prueba distinto a #5 verde, desconecte la batería del sistema eléctrico al que está conectado y vuelva a conectar el optimate. Si obtiene mejores resultados esta vez, esto sugiere que las pérdidas de corriente son debidas en parte a un problema eléctrico en el sistema eléctrico y no en la propia batería. Si los resultados bajos persisten, se recomienda que llevar la batería a un taller profesional equipado con equipos profesionales para que realicen un diagnóstico más exhaustivo.
2. Durante el ciclo de mantenimiento, el resultado de la PRUEBA seguirá iluminándose hasta que se repita el ciclo de PRUEBA y MANTENIMIENTO. Si la caída de voltaje proviene de una fuga temporal de la batería, el indicador LED cambiará hacia un estado mejor.
3. Si se ilumina únicamente el LED #7 rojo, o bien el LED #6 amarillo y el LED #7 rojo al mismo tiempo, esto indica que existe un problema importante. Los LED #6 y #7 amarillo + rojo, (o el LED #6 amarillo en una batería sellada) quieren decir que tras la carga no se mantiene el voltaje de la batería o que a pesar de los intentos de recuperación, la batería es irreparable. Esto puede deberse a un defecto propio de la batería, tal como un cortocircuito en una celda o un sulfatado total, o en el caso de una batería conectada al sistema eléctrico al que suministra corriente, el LED #7 rojo puede indicar una pérdida de corriente por un cable o contacto defectuoso, o un accesorio del circuito que esté consumiendo corriente. Una carga repentina como por ejemplo el encendido de las luces mientras el cargador está conectado, también puede hacer que el voltaje de la batería baje de forma significativa.
4. RESULTADO SATISFACTORIO DE LA PRUEBA, pero la batería no puede suministrar suficiente potencia: el daño permanente en la batería puede estar causando una autodescarga excesiva (causada por la propia batería; incluso una batería parcialmente deteriorada puede conservar inicialmente una potencia suficiente, pero después pierde potencia más rápidamente de lo normal). Desconecte la batería de OptiMate. Transcurridas al menos 12 horas, conéctela de nuevo y observe el resultado de la PRUEBA durante la PRUEBA DE PRECALIFICACIÓN.

**MANTENIMIENTO AUTOMÁTICO DE LA BATERÍA:** El CICLO DE CARGA DE MANTENIMIENTO consiste en ciclos de carga flotante de 30 minutos seguidos por períodos alternos de "descansos" de 30 minutos durante los que no hay corriente de carga. Este "ciclo de trabajo del 50%" evita la pérdida de electrolito en baterías selladas y minimiza la pérdida gradual de agua del electrolito en baterías con tapones, y por tanto, contribuye de forma significativa a optimizar la vida útil de baterías usadas de forma irregular o en determinados períodos. El circuito suministra corriente a la batería con un voltaje de seguridad de 13,6 V (carga flotante), permitiéndole proporcionar la corriente que sea necesaria para mantenerla en carga completa (o casi completa) y compensar cualquier pequeña carga eléctrica impuesta por los accesorios del vehículo, el ordenador de a bordo o el grado de descarga gradual natural de la batería misma.

**MANTENIMIENTO DE LA BATERÍA DURANTE PERÍODOS PROLONGADOS:** El OptiMate mantendrá una batería cuyo estado es bueno, en total seguridad durante varios meses.

Al menos una vez cada dos semanas, compruebe que las conexiones entre el cargador y la batería están correctas, y en el caso de baterías con tapones, desconecte la batería del cargador, compruebe el nivel de electrolito y si es necesario, rellene las células (con agua destilada, NO ácido), y vuelva a conectarla. Al manipular baterías o junto a las mismas, tenga en cuenta las ADVERTENCIAS DE SEGURIDAD mencionadas anteriormente.

## Tiempo de carga

El tiempo mínimo necesario para una carga completa y un ciclo de prueba y resultados del OptiMate 4, incluso con una batería totalmente cargada, es de 45 minutos. El tiempo de carga para una batería muy descargada pero sin ninguna avería es comparable al valor de capacidad nominal en Ah. Una batería de 20Ah no debería tardar más de 20 horas en realizar la comprobación de autodescarga (§ 5). Las baterías totalmente descargadas pueden tardar bastante más tiempo.

Si utiliza OptiMate 4 con una batería de automóvil de gran capacidad muy descargada, es posible que no se realice una carga completa dentro del límite de 48 horas impuesto electrónicamente por razón de seguridad.

## Reiniciar el ciclo de carga o de prueba

Desconecte de la red de CA. Espere a que el LED #1 DE ALIMENTACIÓN ACTIVADA se apague. Tras la reconexión a la potencia de red, todos los LED, salvo #1, 2, 8, 9 y 10, parpadearán dos veces para confirmar el estado del microprocesador, independientemente de si el cargador sigue conectado a la batería o no.

## GARANTÍA LIMITADA

TecMate (International) SA, Sint-Truidensesteenweg 252, B-3300 Tienen, Bélgica, establece esta garantía limitada en favor del primer propietario que utilice este aparato. Esta garantía limitada no es transferible. TecMate (International) garantiza este aparato durante los tres años siguientes a la fecha de compra por su primer usuario contra las fallos de materiales y de montaje. En este caso y a discreción del fabricante el aparato podrá ser reparado o reemplazado. La gestión y los costes relativos al transporte del aparato acompañado por una prueba de compra (véase "NOTA") al fabricante ó a uno de sus representantes autorizados serán por cuenta del cliente. Esta garantía limitada se anula en caso de uso ó tratamiento inadecuado, ó de reparación hecha por toda persona o organización otra diferente al fabricante ó uno de sus representantes autorizados. El fabricante no cumple con otra garantía que esta garantía limitada y expresamente excluye toda forma de garantía contra otros daños que los que sufra el aparato por sí mismo.

ESTO CONSTITUYE LA ÚNICA GARANTÍA LIMITADA VALIDA. EL FABRICANTE NO RECONOCE A QUIENQUIERA EL DERECHO DE EJERCER Ó DE TRANSMITIR NINGUN DERECHO RELATIVO AL PRODUCTO VENDIDO QUE SEA OTRO QUE EL QUE SE DERIVA DE ESTA GARANTÍA LIMITADA EXPRESA. LAS SUS DERECHAS ESTATUTARIAS NO SON AFECTADAS.

NOTA: Véase [www.tecmate.com/warranty](http://www.tecmate.com/warranty) ó contacte [warranty@tecmate.com](mailto:warranty@tecmate.com)

copyright © 2012 TecMate International

OptiMate 4 y los nombres de los otros aparatos mencionados en este texto como BatteryMate, TestMate y TestMate mini, son marcas registradas de TecMate International SA.

Se puede encontrar más información sobre los productos de TecMate en [www.tecmate.com](http://www.tecmate.com).

ES

# Optimate 4™

## CARREGADOR DE DIAGNÓSTICO AUTOMÁTICO PARA BATERIAS DE CHUMBO-ÁCIDO DE 12V A PARTIR DE 3AH - 50AH, COMO SE PODE ENCONTRAR NOS:



### NÃO UTILIZAR NAS BATERIAS NiCd, NiMH, Li-Ion OU BATERIAS NÃO RECARREGÁVEIS.

Entrada: 220-240V ~ máximo 0,095A. A corrente máxima de saída é 0,8A.

### IMPORTANTE: LEIA AS SEGUINTES INSTRUÇÕES ANTES DE UTILIZAR O CARREGADOR

Este dispositivo não se destina a ser utilizado por pessoas (incluindo crianças) com capacidades mentais, sensoriais ou físicas diminuídas, nem por pessoas com falta de experiência ou conhecimentos, a não ser que recebam supervisão ou instruções adequadas, dadas por uma pessoa responsável pela sua segurança, no que respeita ao seu uso. As crianças devem ser supervisionadas de modo a assegurar que não brinquem com o dispositivo.

#### AVISO DE SEGURANÇA e NOTAS: As baterias emitem GASES EXPLOSIVOS - evitar chamas ou faíscas perto de baterias.

Desligue a alimentação de CA antes de efectuar ou remover ligações à CC/bateria. O ácido da bateria é altamente corrosivo. Usar vestuário de protecção, equipamento para os olhos e evitar o contacto. Em caso de contacto accidental, lavar imediatamente com água e sabão. Verifique que os terminais da bateria não estão soltos; se estiverem, peça a um profissional para avaliar a bateria. Se os terminais da bateria estiverem corroídos, limpe-os com uma escova de fio de cobre; se estiverem oleosos ou sujos, limpe-os com um pano humedecido em detergente. Apenas utilize o carregador se os fios e os dispositivos de ligação de entrada e saída estiverem em boas condições e sem danos. Se o cabo de entrada estiver danificado, é essencial que este seja substituído sem demora pelo fabricante, pelo respectivo agente autorizado ou uma oficina qualificada, para evitar o perigo. Proteger o carregador de ácido, vapores ácidos, humidade e condições húmidas, tanto durante a utilização, como em armazenamento. Os danos resultantes da corrosão, da oxidação ou de um curto-circuito eléctrico interno não estão abrangidos na garantia. Afastar o carregador da bateria durante a carga, para evitar a contaminação por exposição a ácido ou vapores ácidos. Se for utilizado na horizontal, coloque o carregador numa superfície dura e plana, mas NÃO em cima de plástico, têxtil ou cabedal. Utilize os orifícios de fixação existentes na base do invólucro para fixar o carregador a qualquer superfície vertical conveniente e em boas condições

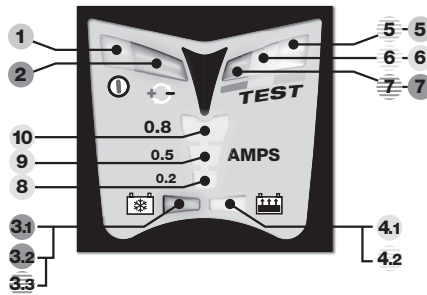
**EXPOSIÇÃO A LÍQUIDOS:** Este carregador foi concebido para resistir à exposição a líquidos que possam cair accidentalmente sobre a caixa, ou aos chuveiros. Uma exposição prolongada a líquidos ou à chuva é desaconselhada. Uma duração de vida superior resultará de tal precaução. Uma avaria ocasionada pela oxidação resultante da penetração de líquidos nos componentes electrónicos, nos conectores ou nas fichas não será coberta pela garantia

**LIGAÇÕES DA BATERIA:** Fornecidos com o carregador, estão disponíveis 2 conjuntos de ligações intermutáveis. Um tem pinças de crocodilo para carregar a bateria fora do veículo, o outro tem um conjunto de ligação opcional com terminais em olhais de metal para uma ligação permanente aos terminais da bateria e um invólucro à prova de vento e chuva que pode voltar a ser selado, no conector que liga ao carregador. Este conjunto de ligações permite uma conexão fácil e segura do carregador para manter a bateria no veículo. O invólucro à prova de vento e chuva que pode voltar a ser selado, foi concebido para proteger o conector de sujidade e humidade, sempre que o carregador não está conectado. Consulte um agente técnico profissional para auxiliar na fixação dos olhais de metal aos terminais da bateria. Preencha o conector com o invólucro à prova de vento e chuva, de modo a não ser possível sujar qualquer peça móvel do veículo ou o cabo possa ser comprimido ou danificado por arestas cortantes. O fusível em linha no conjunto de ligação de olhais protege a bateria contra tais curto-circuitos accidentais nos condutores positivo e negativo. Substitua um fusível queimado apenas com um novo fusível semelhante de valor nominal 15A.

#### LIGAÇÃO DO CARREGADOR À BATERIA

1. Desligue a fonte de alimentação CA antes de estabelecer ou desligar as ligações CC à bateria.
2. Antes de estabelecer as ligações, se estiver a carregar a bateria no interior do veículo utilizando os terminais de cabo para bateria, verifique primeiro que estes podem ser posicionados e fixados de forma segura, afastados de cablagens, tubagens metálicas e do chassis. Estabeleça as ligações pela ordem seguinte: Ligue primeiro ao terminal da bateria não ligado ao chassis (normalmente o terminal positivo). De seguida, ligue o outro terminal de cabo para bateria (normalmente negativo) ao chassis, num local bem afastado da bateria e da linha de combustível. Desligue sempre pela ordem inversa.
3. Ao carregar a bateria no exterior do veículo com os terminais de cabo para bateria, coloque-a num local bem ventilado. Ligue o carregador à bateria: VERMELHO ligue ao terminal POSITIVO (POS, P ou +) e PRETO ligue ao terminal NEGATIVO (NEG, N ou -). Assure-se de que as ligações estão firmes e seguras. Um bom contacto é essencial.
4. Caso a bateria esteja muito descarregada (e possivelmente sulfatada), remova do veículo e inspeccione antes de ligá-la ao carregador para a tentativa de recuperação. Verifique visualmente a bateria relativamente a defeitos mecânicos tais como dilatações ou fendas, ou sinais de derrames de electrólito. Caso a bateria tenha tampas para enchimento e as placas dentro das células possam ser vistas a partir do exterior, examine cuidadosamente a bateria para determinar se alguma das células parece estar diferente das outras (por exemplo, depósitos brancos entre as placas, placas a tocarem-se). Se verificar que existem defeitos mecânicos, não tente carregar a bateria: leve-a a um profissional para ser examinada.
5. Se a bateria é nova, leia cuidadosamente as instruções de segurança e de operação do fabricante antes de ligar o carregador. Caso aplicável, siga cuidadosa e exactamente as instruções de enchimento com ácido.

## UTILIZAR O OPTIMATE 4



**PROGRAMA DUAL:** O OptiMate 4 está equipado com dois programas de carga. Só pode funcionar um programa de cada vez. Os modelos seleccionados do OptiMate 4 serão fornecidos com o programa 1 (PADRÃO) ou o programa 2 (CAN-bus) predefinido.

**Programa 1 (PADRÃO)** é o programa de carga normal para ligação directa a uma bateria em qualquer condição. Todas as funcionalidades do programa estão activas, incluindo os modos de dessulfatização Padrão, TURBO e PULSE.

**Programa 2 (CAN-bus)** activa automaticamente uma tomada de 12V em veículos equipados com CAN-bus, para carregar, testar e conservar a bateria quando o veículo está a ser utilizado. **Os modos de dessulfatização padrão e TURBO de alta tensão são desactivados.** O modo de dessulfatização PULSE (impulsos) de baixa tensão permanece activo, para recuperar uma bateria descarregada que fica ligada ao circuito eléctrico do veículo.

O programa 2 também pode ser utilizado para carregar e conservar uma bateria directamente dentro ou fora do veículo, *mas não consegue recuperar uma bateria sulfatada.* Para recuperar uma bateria sulfatada, seleccione o programa 1 e siga as instruções em **BATERIAS NEGLIGENCIADAS MUITO DESCARREGADAS.**

**Indicação do programa** quando o equipamento não se encontra ligado a uma tomada de 12V ou a uma bateria.

PADRÃO – apenas o LED#1 de energia eléctrica permanece ligado.

CAN-bus – o LED#1 de ENERGIA ELÉCTRICA permanece ligado e o LED#3 de DESSULFATIZAÇÃO e o LED#4 de CARGA ficam intermitentes em conjunto por breves instantes a intervalos regulares.

### Para mudar de um programa para o outro:

1. Desligue o carregador da alimentação principal.
2. Ligue o conjunto de pinças de bateria ao carregador e ligue a pinça negativa directamente à pinça positiva.
3. Volte a ligar o carregador à alimentação principal.
4. Observe as seguintes indicações de LED:
  - Os LEDs #3+4+5+6+7 piscam 12 vezes durante a selecção do programa alternado (5x devagar, 5x rápida, 2x devagar).
  - Após a mudança do programa, é possível observar as seguintes indicações (com as pinças de bateria ainda ligadas):
    - Mudado de CAN-bus para PADRÃO: apenas o LED#1 de ENERGIA ELÉCTRICA permanece ligado.
    - Mudado de PADRÃO para CAN-bus: o LED #3 e o LED #4 ficam intermitentes em conjunto a intervalos regulares seguidos imediatamente pelo LED #8.
5. Desligue as pinças de bateria. O OptiMate 4 está pronto para carregar uma bateria de acordo com o programa seleccionado.

## INICIAR A CARGA

**LED #1 de LIGADO** - Este LED confirma a presença de alimentação AC para o carregador.

**PROTECÇÃO DE POLARIDADE INVERSA: LED #2** - Acende quando as ligações da bateria estão incorrectas.

O carregador está electronicamente protegido para que não ocorram danos, e a saída permanecerá desactivada até que as ligações sejam corrigidas.

**BARRA DE CORRENTE DE CARGA: LED #8, 9, 10** - Acende quando é fornecida corrente por impulsos ou contínua à bateria.

Indicações de nível de corrente: LED #8: 0,2A LED#8+9: 0,5A LED #8+9 +10: 0,8A

PT

## PROGRAMA 1 - PADRÃO

**BATERIAS NEGLIGENCIADAS MUITO DESCARREGADAS:** Caso a bateria esteja muito descarregada (e possivelmente sulfatada), retire-a do veículo e inspecione-a antes de ligar o carregador para uma tentativa de recuperação.

O modo de recuperação **TURBO** do carregador não é activado caso detecte que a bateria ainda está ligada a um circuito eléctrico do veículo, o que efectivamente oferece uma menor resistência eléctrica do que a bateria isolada. No entanto, se a bateria profundamente descarregada não for retirada para recuperação, nem a bateria nem a electrónica do veículo serão danificadas.

### TESTE DE PRÉ-QUALIFICAÇÃO: LEDs #5 / 6 / 7

Os LEDs de TESTE #5/6/7 indicam a condição da bateria antes de ser carregada. A carga começa após 10 segundos.

Consulte a tabela "**AVISO ANTECIPADO DE PROBLEMAS DA BATERIA**" na página 2 (ilustração 2) para obter indicações sobre o LED de TESTE.

**LED #7 (vermelho) intermitente:** o OptiMate 4 injecta um sinal de teste para determinar se a bateria pode ser recuperada. Depois do LED ficar constante durante 10 segundos, a carga começa. Se o LED continuar intermitente, a bateria não poderá ser recuperada com êxito.

### RECUPERAÇÃO / DESSULFATIZAÇÃO: LED #3

Este modo é activado se o LED #7 (vermelho), o LED #6 (amarelo) ou ambos acenderem durante a pré-qualificação. O programa determinará o modo de carga correcto. Tempo de carga: mínimo 15 minutos, máximo 2 horas.

**Recuperação PADRÃO para baterias negligenciadas - LED #3 ligado constantemente:** são aplicados 16V com a corrente limitada a 0,2A. Caso a bateria não consiga aceitar uma carga, a recuperação **TURBO** é activada após 5 segundos. As baterias que conseguem aceitar uma corrente de carga de 0,2A passam para a recuperação **DE IMPULSO**.

**Recuperação TURBO para baterias muito negligenciadas - LED #3 intermitente:** a tensão de saída aumenta para um máximo de 22V com a corrente limitada a 0,2A.

**Recuperação IMPULSO - últimos 15 minutos - LED #3 ligado constantemente:** é fornecida corrente até 0,8A em impulsos para preparar a bateria para aceitar uma carga normal. *Este modo é especialmente eficaz para a recuperação de baterias AGM de chumbo ou de célula cíclica activadas na fábrica / de "elevado desempenho".*

### CARGA: LED #4

**Carga BULK (bruto) - LED #4 ligado constantemente:** é fornecida uma corrente constante de 0,8A com uma tensão de 14,2 - 14,4V à bateria.

**Carga FINAL - LED #4 intermitente:** fase de absorção dos impulsos: a corrente é fornecida em impulsos, variando entre 0,2 e 0,8A e com uma tensão de 14,2 - 14,4V, para que a bateria fique completamente carregada no menor tempo possível. Fase de verificação: uma vez que a necessidade de corrente é inferior a 0,2A, a tensão de carga é limitada a 13,6V enquanto o nível de carga da bateria é verificado.

Caso a bateria necessite de mais carga, o programa volta para absorção de impulsos.

Caso a bateria tenha aceite a quantidade máxima de carga que a sua condição básica permite, segue-se a fase de retenção de tensão

**NOTA:** por motivos de segurança, existe um limite de tempo de carga total de 48 horas.

### TESTE DE RETENÇÃO DE TENSÃO: LED #5 intermitente

O fornecimento de corrente à bateria é interrompido durante 30 minutos para permitir que o programa determine a capacidade de retenção de carga da bateria. Se as baterias se encontrarem em bom estado, o LED #5 (verde) deverá continuar intermitente durante todo o período de 30 minutos. Consulte a tabela "**AVISO ANTECIPADO DE PROBLEMAS DA BATERIA**" na página 2 para obter indicações sobre os LEDs que não sejam o LED #5 (verde). Existe um problema significativo se a bateria não conseguir reter carga suficiente durante o período de teste de 30 minutos. Leia a secção **NOTAS SOBRE OS RESULTADOS DE TESTE** para obter informações sobre os motivos dos maus resultados de teste ou sobre como testar uma bateria que tenha um bom resultado, mas que não consiga fornecer energia eléctrica suficiente depois de estar novamente em funcionamento.

### CARGA DE MANUTENÇÃO: LED #5 / 6 / 7 constantemente ligados

Durante 30 minutos, o circuito fornece corrente à bateria dentro de um limite de tensão seguro de 13,6V, enquanto é apresentado o resultado do teste de retenção de tensão. Consulte a tabela "**AVISO ANTECIPADO DE PROBLEMAS DA BATERIA**" na página 2 para obter indicações sobre os LEDs que não sejam o LED #5 (verde). Sigam-se os períodos de manutenção de carga flutuante de 30 minutos que se alternam com os períodos de **TESTE DE RETENÇÃO DE TENSÃO** até que a bateria seja desligada. É possível encontrar uma descrição mais detalhada do ciclo de manutenção automática para armazenamento de baterias a longo prazo na secção **MANUTENÇÃO AUTOMÁTICA DE BATERIAS**.

## PROGRAMA 2 - CAN-bus

**IMPORTANTE:** Os modos PADRÃO e CARGA DE RECUPERAÇÃO estão desactivados. Este programa é concebido para carregar, testar e conservar baterias a longo prazo quando estas se encontram montadas em veículos equipados com CAN-bus.

**RECOMENDADO:** carregue através da tomada de 12V com o 0-2 (conector de tomada de 12V para automóvel e ficha DIN) ou o 0-9 (conector DIN de 12V aumentado) apropriado.

### INDICAÇÕES DE LED ANTES DA LIGAÇÃO À BATERIA:

**LED #3+4 intermitente:** o programa envia um sinal para detectar e activar uma tomada de 12V controlada pelo CAN-bus.  
**LED #3+4+5+6+7 intermitente:** foi detectado um curto-circuito nos terminais de saída ou, se o LED #2 (POLARIDADE INVERSA) também estiver aceso, as ligações da bateria estão incorrectas. O carregador é protegido electronicamente para que não ocorram danos e a saída permanece desactivada até que as ligações sejam corrigidas.

### TESTE DE PRÉ-QUALIFICAÇÃO: LEDs #5 / 6 / 7

Os LEDs de TESTE #5/6/7 indicam que a tomada de 12V controlada pelo CAN-bus foi activada com êxito e a condição da bateria antes de ser carregada. A carga começa após 10 segundos. Consulte a tabela "AVISO ANTECIPADO DE PROBLEMAS DA BATERIA" na página 2 (ilustração 2) para obter indicações sobre o LED de TESTE. NOTA: a não activação poderá dever-se a um dos seguintes motivos: programa 1 seleccionado / má ligação à tomada de 12V / bateria demasiado fraca para alimentar o CAN-bus / programação do CAN-bus obsoleta no veículo - consulte o fabricante do veículo.

### RECUPERAÇÃO / DESSULFATIZAÇÃO: LED #3

Este modo é activado se o LED #7 (vermelho), o LED #6 (amarelo) ou ambos acenderem durante a pré-qualificação. O programa do CAN-bus apenas pode seleccionar o modo de recuperação PULSE de baixa tensão. Tempo de carga: 15 minutos.

**Recuperação PULSE - LED #3 constantemente ligado:** é fornecida corrente até 0,8A em impulsos para preparar a bateria para aceitar a carga de corrente total.

### CARGA: LED #4

**Carga BULK (bruto) - LED #4 constantemente ligado:** é fornecida uma corrente constante de 0,8A com uma tensão de 14,2 - 14,4V à bateria.

**Carga FINAL - LED #4 intermitente:** fase de absorção dos impulsos: a corrente é fornecida em impulsos, variando entre 0,2 e 0,8A e com uma tensão de 14,2 - 14,4V, para que a bateria fique completamente carregada no menor tempo possível. Fase de verificação: uma vez que a necessidade de corrente é inferior a 0,2A, a tensão de carga é limitada a 13,6V enquanto o nível de carga da bateria é verificado.

Caso a bateria necessite de mais carga, o programa volta para absorção de impulsos.

Caso a bateria tenha aceiteada a quantidade máxima de carga que a sua condição básica permite, segue-se a fase de retenção de tensão.

**NOTA 1:** o programa é reiniciado automaticamente 2 minutos após a desconexão manual ou caso o sistema do CAN-bus tenha desactivado a tomada de 12V controlada e o programa não tenha conseguido reactivar a tomada em 2 minutos.

**NOTA 2:** por motivos de segurança, existe um limite de tempo de carga total de 48 horas.

### TESTE DE RETENÇÃO DE TENSÃO: LED #5 intermitente

O fornecimento de corrente à bateria é interrompido durante 30 minutos para determinar a capacidade de retenção de carga da bateria. Isto fará com que o sistema do CAN-bus desactive a tomada de 12V dentro do seu próprio limite de tempo definido, desligando a bateria do carregador. Quando o período de teste estiver concluído, o programa inicia novamente a tomada de 12V controlada pelo CAN-bus para medir a tensão da bateria e, em seguida, continua com a CARGA DE MANUTENÇÃO durante a qual é apresentado o resultado do teste. Consulte a tabela "AVISO ANTECIPADO DE PROBLEMAS DA BATERIA" na página 2 para obter indicações sobre os LEDs. Leia a secção NOTAS SOBRE OS RESULTADOS DE TESTE para obter informações sobre os motivos dos maus resultados de teste ou sobre como testar uma bateria que tenha um bom resultado, mas que não consiga fornecer energia eléctrica suficiente depois de estar novamente em funcionamento. **NOTA:** se o carregador for desligado manualmente da tomada de 12V ou da bateria durante o teste, não será reiniciado automaticamente enquanto não terminar o período de teste.

### CARGA DE MANUTENÇÃO: LED #5 / 6 / 7 constantemente ligados

Durante 30 minutos, o circuito fornece corrente à bateria dentro de um limite de tensão seguro de 13,6V, enquanto é apresentado o resultado do teste de retenção de tensão. Seguem-se os períodos de manutenção de carga flutuante de 30 minutos que se alternam com os períodos de TESTE DE RETENÇÃO DE TENSÃO até que a bateria seja desligada. É possível encontrar uma descrição mais detalhada do ciclo de manutenção automática para armazenamento de baterias a longo prazo na secção MANUTENÇÃO AUTOMÁTICA DE BATERIAS.

**NOTA 1:** o programa é reiniciado automaticamente 2 minutos após a desconexão manual ou caso o sistema do CAN-bus.

PT

## NOTAS SOBRE RESULTADOS DE TESTE:

1. No caso de qualquer outro resultado de teste diferente de #5 verde, desconecte a bateria do sistema eléctrico que suporta, e volte a conectar o optimate. caso se obtenha agora um resultado de teste melhor, isto sugere que as perdas de potência se devem parcialmente a um problema eléctrico no sistema eléctrico e não na própria bateria. Se o resultado fraco persistir, recomenda-se levar a bateria a uma oficina profissional equipada com verificadores profissionais para uma examinação mais minuciosa.
2. Durante o ciclo de carga de manutenção, o resultado de TESTE continuará a ser apresentado até que o ciclo de TESTE e MANUTENÇÃO seja repetido. Se o declínio na tensão tiver resultado de um consumo de corrente da bateria apenas temporário, a indicação de LED pode regressar a um nível melhor.
3. Se o LED #7 vermelho acender sozinho ou juntamente com o LED #6 amarelo, existe um problema significativo. Os LEDs #6 e 7 vermelho/amarelo+vermelho, (ou o LED #6 amarelo sozinho para uma bateria selada) significam que, depois de carregada, a tensão da bateria não está a ser mantida, ou que, apesar das tentativas de recuperação, não foi possível recuperar a bateria. Isto pode acontecer devido a um defeito na própria bateria, como uma célula em curto-circuito ou sulfatação total, ou, no caso de uma bateria ainda ligada ao sistema eléctrico que suporta, o LED #7 vermelho pode estar a sinalizar uma perda de corrente através de fios deteriorados, um interruptor ou um contacto degradado, ou acessórios consumidores de corrente dentro do circuito. Uma carga repentina, como ligar os faróis do veículo enquanto o carregador está ligado, também pode causar uma descida significativa da tensão da bateria.
4. BOM RESULTADO DE TESTE, mas a bateria não consegue fornecer energia eléctrica suficiente: um dano permanente na bateria poderá estar a causar uma autodescarga excessiva (causada pela própria bateria; mesmo uma bateria parcialmente danificada poderá reter inicialmente energia eléctrica suficiente, mas depois perder energia mais rapidamente do que o normal). Desligue a bateria do OptiMate. Após, pelo menos, 12 horas volte a ligá-la e observe o resultado de TESTE durante o TESTE DE PRÉ-QUALIFICAÇÃO.

**MANUTENÇÃO AUTOMÁTICA DA BATERIA:** O CICLO DE CARGA DE MANUTENÇÃO consiste em períodos de carga fluante de 30 minutos seguidos de e em alternância com períodos de "descanso" de 30 minutos durante os quais não há corrente de carga. Este "ciclo de funcionamento a 50%" evita a perda de electrólito em baterias seladas e minimiza a perda gradual de água do electrólito em baterias com invólucro, contribuindo assim significativamente para otimizar a vida útil de baterias usadas irregularmente ou por épocas. O circuito fornece corrente à bateria dentro de um limite de tensão seguro de 13,6V ("carga fluante"), permitindo que a bateria retire toda a baixa corrente necessária para se manter em carga total (ou próximo) e compensar quaisquer pequenas cargas eléctricas impostas pelos acessórios do veículo ou pelo computador de bordo, ou pela auto-descarga gradual natural da própria bateria.

**MANTER UMA BATERIA POR PERÍODOS ALARGADOS:** O OptiMate manterá uma bateria cujo estado seja bom, em qualquer segurança durante vários meses.

Pelo menos uma vez em cada duas semanas, certifique-se de que as ligações entre o carregador e a bateria estão seguras, e, no caso de baterias com invólucro em cada célula, desconecte a bateria do carregador, verifique o nível de electrólito, e, se necessário, encha as células (**com água destilada, NÃO ácido**), e volte a conectar. Quando lidar com baterias ou na zona em redor, tenha sempre o cuidado de observar os AVISOS DE SEGURANÇA descritos anteriormente.

## Tempo de carga

O tempo mínimo necessário para o OptiMate 4 realizar uma carga, testar o ciclo e fornecer um resultado, mesmo numa bateria carregada totalmente, é de 45 minutos. O tempo de carga de uma bateria totalmente descarregada, mas não danificada, é comparável ao valor de capacidade nominal em Ah da bateria, portanto uma bateria de 20Ah não deverá demorar mais do que cerca de 20 horas para progredir para a verificação de auto-descarga (§ 5). As baterias profundamente descarregadas podem demorar significativamente mais tempo.

Caso esteja a usar o OptiMate 4 numa bateria de automóvel profundamente descarregada de maior capacidade, um carga total poderá não ser alcançado dentro do limite de segurança de carga de 48 horas.

## Reinício do ciclo de carga ou de teste

Desligue da alimentação de CA. Espere até que o LED #1 de LIGADO se apague. Depois de voltar a ligar o equipamento à energia eléctrica de CA, todos os LEDs excepto os LEDs #1, 2, 8, 9 e 10 piscam duas vezes para confirmar que o microprocessador se encontra em funcionamento, independentemente de o carregador permanecer ligado a uma bateria ou não.

## GARANTIA LIMITADA

TecMate (International) NV, Sint-Truidensesteenweg 252, B-3300, Belgium, consente a presente garantia ao primeiro utilizador deste produto, sem possibilidade de transmissibilidade. TecMate (International) NV garante este carregador durante três anos a partir da data de compra ao importador, contra os defeitos dos componentes ou de montagem. Se for o caso, o carregador será reparado ou substituído à discrição do fabricante. O comprador deve enviar por sua própria conta, o aparelho assim como uma prova de compra (veja "NOTA"), ao fabricante ou ao seu representante. Esta garantia limitada, torna-se nula se o aparelho for utilizado ou manipulado de forma inadequada ou se tiver sido reparado por toda outra pessoa física ou moral que o fabricante ou o seu representante. O fabricante não oferece nenhuma outra garantia que a presente, e exclui expressamente toda garantia conta danos consequenciais. ESTA É A ÚNICA GARANTIA EXPRESSAMENTE CONSENTIDA PELO FABRICANTE. ESTE NÃO ASSUME E NÃO AUTORIZA QUEM QUER QUE SEJA A ASSUMIR OU ESTABELECEER TODA OUTRA OBRIGAÇÃO LIGADA A ESTE PRODUTO, OUTRA QUE ESTA GARANTIA LIMITADA EXPRESSAMENTE CONSENTIDA. SUAS DIREITAS ESTATUTÁRIAS NÃO SÃO AFETADAS.

NOTA: Veja [www.tecmate.com/warranty](http://www.tecmate.com/warranty) ou contatem [warranty@tecmate.com](mailto:warranty@tecmate.com)

copyright © 2012 TecMate International

OptiMate 4 e os nomes dos outros aparelhos mencionados neste texto como BatteryMate, TestMate e TestMate mini, são marcas registadas de TecMate International SA.

Pode-se encontrar mais informação sobre os produtos de TecMate em [www.tecmate.com](http://www.tecmate.com).



# Optimate™4

## AUTOMATISCHES DIAGNOSE-LADEGERÄT FÜR 12V BLEIAKKUS VON 3Ah BIS 50Ah IN:



**NICHT VERWENDEN FÜR NiCd, NiMH, Li-Ion ODER NICHT AUFLADBARE BATTERIEN.**

Eingang : 220-240V ~ maximal 0,095A. Der maximale Ausgangsstrom ist 0,8A.

### WICHTIG: LESEN SIE VOR GEBRAUCH DES LADEGERÄTS DIE FOLGENDEN ANWEISUNGEN VOLLSTÄNDIG

Dieses Gerät ist nicht dafür vorgesehen, von Personen (einschließlich Kindern) verwendet zu werden, die über beschränkte körperliche, sensorische und mentale Fähigkeiten oder mangelnder Erfahrung bzw. unzureichendem Wissen verfügen, sofern diese nicht durch eine für die Sicherheit verantwortliche Person zur korrekten Verwendung des Geräts eingewiesen wurden oder das Gerät ohne Aufsicht bedienen. Kinder, die sich in der Nähe des Geräts befinden, sollten beaufsichtigt werden, um sicherzustellen, dass diese nicht mit dem Gerät spielen.

**SICHERHEITSWARNUNG UND HINWEISE:** Batterien sondern **EXPLOSIVE GASE** ab - halten Sie Flammen oder Funken von Batterien fern. Klemmen Sie die Wechselstromversorgung ab, bevor Sie Gleichstrom-/Batterieverbindungen herstellen oder unterbrechen. Batteriesäure ist stark ätzend. Schutzkleidung und Schutzbrille tragen und Kontakt vermeiden. Bei versehentlicher Berührung sofort mit Wasser und Seife waschen. Prüfen, ob die Batteriepole lose sind, wenn ja, die Batterie von einem Fachmann überprüfen lassen. Korrodierte Batteriepole mit einer Kupferdrahtbürste reinigen; verschmutzte oder fettige Pole mit einem in Reinigungsmittel befeuchteten Tuch reinigen. Ladegerät nur benutzen, wenn die Zuleitungen und Batterieklappen in einwandfreiem, unbeschädigten Zustand sind. Wenn das Eingangskabel beschädigt ist, muss es unverzüglich vom Hersteller, seinem ermächtigten Serviceagenten oder einer qualifizierten Werkstatt ersetzt werden, um Gefahren zu vermeiden. Schützen Sie Ihr Ladegerät bei Benutzung und Lagerung vor Säure und Säuredämpfen, sowie vor Feuchtigkeit. Schäden durch Korrosion, Oxidation oder interne Kurzschlüsse sind nicht durch die Garantie abgedeckt. Stellen Sie das Ladegerät während des Ladevorgangs von der Batterie entfernt auf, um Kontaminierung oder Beschädigung durch Säure oder Säuredämpfe zu vermeiden. Bei Verwendung in horizontaler Ausrichtung muss das Ladegerät auf eine feste, ebene Fläche gestellt werden, jedoch NICHT auf Kunststoff, Textilien oder Leder. Bringen Sie mittels der Befestigungsöffnungen im Gehäuseboden das Ladegerät an einer geeigneten, stabilen senkrechten Fläche an.

**AUSGESETZTSEIN ZU DEN FLÜSSIGKEITEN:** Dieses Ladegerät ist konstruiert, um Ausgesetztsein zu den Flüssigkeiten, die versehentlich auf das Gehäuse von oben verschüttet werden oder gespritzt sind, oder zum Nieselregen, zu widerstehen. Jedoch ist verlängertes Ausgesetztsein nicht ratsam und längere Lebensdauer wird erreicht, indem man solches Ausgesetztsein minimiert. Ausfall des Gerätes wegen der Oxidation, die aus dem etwaigen Durchgriff der Flüssigkeit in die elektronischen Bauelemente, Verbindungsstücke oder Stecker resultiert, wird nicht durch die Garantie abgedeckt.

**BATTERIEANSCHLÜSSE:** 2 austauschbare Anschluss-Sets sind erhältlich, mit dem Ladegerät geliefert wird ein Satz Batterieklappen, um die Batterie außerhalb des Fahrzeuges zu laden, das optionale Anschluss-Set ist mit Metallösen zum permanenten Anschließen an die Batteriepole versehen sowie mit Schutzkappen am Stecker zum Anschließen des Ausgangskabels des Ladegeräts. Dieses Anschluss-Set erlaubt das problemlose und sichere Anschließen des Ladegeräts, wenn die Batterie im Fahrzeug bleiben soll. Die abnehmbare Schutzkappe schützt den Anschluss vor Schmutz und Feuchtigkeit, wenn das Ladegerät nicht angeschlossen ist. Wenden Sie sich an einen Fachmann, um die Metallösen an den Batteriepolen befestigen zu lassen. Sichern Sie den Anschluss mit der Schutzkappe, sodass er nicht in bewegende Teile des Fahrzeuges gerät und das Kabel nicht eingeklemmt oder durch scharfe Kanten beschädigt werden kann. Die Leitungssicherung im Ösenanschluss schützt die Batterie vor Kurzschlüssen zwischen Plus- und Minusleiter. Ersetzen Sie durchgebrannte Sicherungen nur durch gleiche neue 15A-Sicherungen.

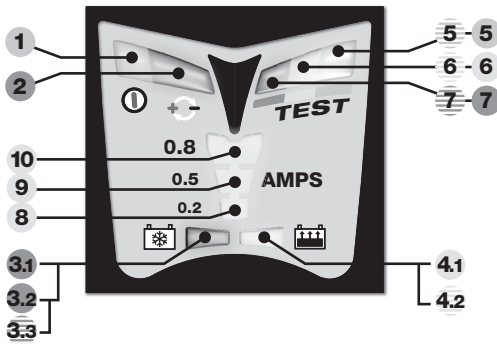
### ANSCHLUSS DES LADEGERÄTS AN DIE BATTERIE

1. Die AC-Stromversorgung muss unterbrochen werden, bevor Sie das Ladegerät an DC/die Batterie anschließen bzw. die Verbindung trennen.
2. Wenn Sie die Batterie im Fahrzeug belassen und mithilfe der Batterieklappen aufladen möchten, müssen Sie zunächst sicherstellen, dass die Klappen sicher in einem Abstand zu den Kabeln, Metallrohren oder dem Fahrgestell positioniert werden können. Befolgen Sie beim Anschluss die nachstehende Reihenfolge: Schließen Sie zunächst eine Klemme an den Batterieanschluss, der nicht mit dem Fahrgestell verbunden ist (in der Regel der Pluspol) an. Schließen Sie anschließend die andere Klemme (in der Regel der Minuspol) an das Fahrgestell, in einem weiten Abstand zur Batterie und Benzinleitung, an. Beim Abklemmen ist die entgegengesetzte Reihenfolge einzuhalten.
3. Wenn Sie die Batterie außerhalb des Fahrzeuges über die Batterieklappen aufladen, müssen Sie für eine ausreichende Belüftung sorgen. Schließen Sie das Ladegerät an die Batterie an: ROTE Klemme an PLUSPOL (POS, P oder +) und SCHWARZE Klemme an MINUSPOL (NEG, N oder -). Stellen Sie sicher, dass die Klappen fest sitzen. Ein guter Kontakt ist wichtig.
4. **Eine tiefentladene (und möglicherweise sulfatierte) Batterie ist vor einem Wiederbelebungsversuch auszubauen und zu überprüfen.** Überprüfen Sie die Batterie auf mechanische Defekte wie Ausbeulungen oder Risse im Gehäuse oder auf ein Auslaufen der Säure. Wenn die Batterie über Einfüllverschlüsse verfügt und die Platten zwischen den Zellen von außen erkennbar sind, müssen Sie sicherstellen, dass alle Zellen gleich aussehen (beispielsweise das weiße Material zwischen den Platten, der Abstand der Platten usw.). Laden Sie die Batterie nicht auf, wenn mechanische Defekte erkennbar sind. Lassen Sie die Batterie in diesem Fall von einem Fachmann untersuchen.
5. **Wenn es sich um eine neue Batterie handelt,** lesen Sie vor dem Anschluss des Ladegeräts die Sicherheitshinweise und Betriebsanweisungen des Herstellers genau durch. Befolgen Sie gegebenenfalls die Anweisungen zum Auffüllen der Säure genau.

DE

SICHERHEIT

## VERWENDEN DES OPTIMATE 4



**ZWEI PROGRAMME:** Der OptiMate 4 verfügt über zwei Ladeprogramme. Es kann jeweils nur ein Programm betrieben werden. Ausgewählte Modelle des OptiMate 4 werden mit der Voreinstellung Programm 1 (STANDARD) oder Programm 2 (CAN-Bus) ausgeliefert.

**Programm 1 (STANDARD)** ist das normale Ladeprogramm für eine direkte Verbindung zu einer Batterie in beliebigem Zustand. Alle Programmfunktionen stehen zur Verfügung, darunter die Modi Standard, TURBO und IMPULS (Sulfatentfernung).

**Programm 2 (CAN-Bus)** aktiviert automatisch einen 12-V-Ausgang bei Fahrzeugen mit CAN-Bus, um die Batterie während der Standzeit des Fahrzeugs zu laden, zu testen und zu warten. **Der Modus Standard sowie der Hochspannungs-Sulfatentfernungsmodus TURBO sind deaktiviert.** Der Niederspannungs-Sulfatentfernungsmodus IMPULS bleibt aktiv, um eine entladene Batterie wieder herzustellen, die mit dem Fahrzeug verbunden ist.

Programm 2 kann auch zum direkten Aufladen und Warten einer Batterie in- und außerhalb des Fahrzeugs verwendet werden. *Eine sulfatierte Batterie lässt sich jedoch nicht wieder herstellen.* Wenn Sie eine sulfatierte Batterie wieder herstellen möchten, wählen Sie Programm 1, und befolgen Sie die Anweisungen unter **STARK ENTLADENE BATTERIEN**.

**Programmanzeige,** wenn keine Verbindung zu einem 12-V-Ausgang oder zu einer Batterie besteht.

STANDARD – nur die Netz-LED 1 leuchtet.

CAN-Bus – Die NETZ-LED 1 leuchtet, und die SULFATENTFERNUNGS-LED 3 sowie die LADE-LED 4 blinken kurz in regelmäßigen Intervallen.

**So wechseln Sie das Programm:**

1. Trennen Sie das Ladegerät von der Netzspannung.
2. Bringen Sie den Batterieklammersatz am Ladegerät an und verbinden Sie die negative Klemme direkt mit der positiven.
3. Verbinden Sie das Ladegerät wieder mit der Netzspannung.
4. Beachten Sie die folgenden LED-Anzeigen:

Die LEDs 3+4+5+6+7 blinken während der Auswahl eines anderen Programms 12 Mal (5x langsam, 5x schnell, 2x langsam).

Nach dem Programmwechsel erfolgt (bei verbundenen Batterieklammern) diese Anzeige:

- Wechsel von CAN-bus zu STANDARD: nur die NETZ-LED 1 leuchtet.
- Wechsel von STANDARD zu CAN-Bus: LED 3 und LED 4 blinken regelmäßig, LED 8 folgt direkt.

5. Ziehen Sie die Batterieklammern ab. Der OptiMate 4 kann nun die Batterie nach dem gewählten Programm laden.

## LADUNGSPROZEDUR

**NETZ: LED 1** – Zeigt an, dass das Ladegerät mit Wechselstrom versorgt wird.

**SCHUTZ VOR POLARITÄTSUMKEHR: LED 2** - Leuchtet auf, wenn die Batterie falsch angeschlossen ist. Das Ladegerät ist elektronisch geschützt, sodass kein Schaden eintritt, der Ausgang wird automatisch deaktiviert, bis die Verbindungen korrigiert sind.

**LADESTROMANZEIGE: LED 8, 9, 10** - Leuchtet auf, wenn die Batterie mit Wechsel- oder Gleichstrom versorgt wird.

Stromstärkeanzeige: LED 8: 0,2 A LED 8+9: 0,5 A LED 8+9+10: 0,8 A



## PROGRAMM 1 - STANDARD

**SEHR STARK ENTLADENE BATTERIEN:** Eine tiefentladene (und möglicherweise sulfatierte) Batterie ist vor einem Rettungsversuch auszubauen und zu überprüfen.

Der Wiederherstellungsmodus TURBO des Ladegeräts kann nicht aktiviert werden, wenn das Gerät erkennt, dass die Batterie noch mit einem Fahrzeug verbunden ist. In diesem Fall ist der elektrische Widerstand erheblich geringer als bei getrennter Batterie. Wird die tiefentladene Batterie jedoch nicht vom Fahrzeug getrennt, hat dies keine negativen Folgen für die Batterie und die Fahrzeugelektronik. **Anweisungen die bei relativ kleinen Batterien, etwa von Motorrädern, Rasentraktoren, Jet-Skis, Schneemobilen und ähnlichen Fahrzeugen besonders wichtig sind:** Bei einer Batterie, die sich über einen längeren Zeitraum im tiefentladenen Zustand befand, können eine oder mehrere Zellen permanent beschädigt sein. Solche Batterien können sich beim Laden übermäßig erwärmen. Batterien, die so heiß werden, dass eine Berührung unangenehm ist, dürfen nicht weiter geladen werden.

Überwachen Sie die Batterietemperatur während der ersten Stunde, danach stündlich. Achten Sie auf ungewöhnliche Anzeichen, etwa Blasenbildung oder Austreten von Elektrolyt, erhöhte Aktivität in einer Zelle verglichen mit anderen oder Zischgeräusche. Sollte sich zu irgendeinem Zeitpunkt die Batterie ungewöhnlich heiß anfühlen oder andere ungewöhnliche Anzeichen aufweisen, **KLEMMEN SIE DAS LADEGERÄT SOFORT AB.**

### VORQUALIFIKATIONSTEST: LEDs 5/6/7

Die **TEST-LEDs 5/6/7** zeigen vor dem Laden den Batteriezustand an. Informationen zu den Anzeigen der TEST-LED finden Sie in der Tabelle „FRÜHZEITIGE WARTUNG BEI BATTERIEPROBLEMEN“ auf Seite 2 (Abbildung 2). Der Ladevorgang beginnt nach zehn Sekunden.

**LED 7 (rot) blinkt:** Der OptiMate 4 sendet ein Testsignal, um festzustellen, ob die Batterie wiederhergestellt werden kann. Leuchtet die Anzeige bis zu zehn Sekunden auf, beginnt der Ladevorgang. Wird das Blinken fortgesetzt, kann die Batterie nicht erfolgreich wiederhergestellt werden.

### WIEDERHERSTELLUNG/SULFATENTFERNUNG: LED 3

Dieser Modus wird aktiviert, wenn während der Vorqualifizierung LED 7 (rot) oder LED 6 (gelb) aufleuchtet. Das Programm ermittelt den richtigen Lademodus. Ladezeit: mindestens 15 Minuten, maximal 2 Stunden.

**STANDARD-Wiederherstellung für entladene Batterien – LED 3 leuchtet:** Bis zu 16 V werden bei maximal 0,2 A angelegt. Kann die Batterie nicht aufgeladen werden, beginnt nach fünf Sekunden die TURBO-Wiederherstellung. Batterien, die einen Ladestrom von 0,2 A annehmen, werden im Modus IMPULS wiederhergestellt.

**TURBO-Wiederherstellung für tiefentladene Batterien – LED 3 blinkt:** Die Ausgabespannung steigt auf max. 22 V bei 0,2 A.

**IMPULS-Wiederherstellung in den letzten 15 Minuten – LED 3 leuchtet:** Strom bis zu 0,8 A wird in Impulsen abgegeben, um die Batterie auf eine normale Ladung vorzubereiten. *Dieser Modus ist vor allem für die Wiederherstellung werksseitig aktivierter/von „Hochleistungsbatterien“ aus Blei oder AGM-Batterien mit zyklischen Zellen zu empfehlen.*

### AUFLADEN: LED 4

**GROBLADUNG – LED 4 leuchtet:** Ein konstanter Strom von 0,8 A mit bis zu 14,2 - 14,4 V wird an die Batterie abgegeben.

**ABSCHLUSSLADUNG – LED 4 blinkt:** Impulsabsorption: Der Strom wird in Impulsen von 0,2 bis 0,8 A und mit bis zu 14,2 - 14,4 V abgegeben, um die Batterie so schnell wie möglich voll zu laden. Überprüfung: Fällt der Strombedarf unter 0,2 A, wird die Ladespannung auf 13,6 V begrenzt und der Ladezustand der Batterie wird ermittelt.

Muss die Batterie weiter geladen werden, kehrt das Programm zum Impulsmodus zurück.

Hat die Batterie entsprechend ihrem Zustand genug Ladung angenommen, folgt die Spannungserhaltung.

**HINWEIS:** Aus Sicherheitsgründen ist die Ladezeit auf 48 Stunden begrenzt.

### SPANNUNGSERHALTTEST: LED 5 blinkt

Die Stromabgabe an die Batterie wird für 30 Minuten unterbrochen, damit das Programm die Fähigkeit der Batterie zum Spannungserhalt prüfen kann. Bei Batterien in gutem Zustand blinkt die LED 5 während der gesamten 30 Minuten. Informationen zu anderen LED-Anzeigen als LED 5 (grün) finden Sie in der Tabelle „FRÜHZEITIGE WARTUNG BEI BATTERIEPROBLEMEN“ auf Seite 2. Es besteht ein erhebliches Problem, wenn die Batterie im Testzeitraum von 30 Minuten keine Spannung aufrecht erhalten kann. Lesen Sie den Abschnitt mit HINWEISEN ZU TESTERGEBNISSEN, wenn Sie Informationen zu schlechten Testergebnissen oder zu Test benötigen, die zwar ein gutes Ergebnis hervorbringen, ohne dass die Batterie jedoch ausreichend Energie abgibt.

### WARTUNGSLADUNG: LED 5/6/7 leuchtet

Der Schaltkreis gibt für 30 Minuten sichere 13,6 V an die Batterie ab, während das Ergebnis des Spannungserhalttests angezeigt wird. Informationen zu anderen LED-Anzeigen als LED 5 (grün) finden Sie in der Tabelle „FRÜHZEITIGE WARTUNG BEI BATTERIEPROBLEMEN“ auf Seite 2. Die 30-minütige Erhaltungsladung wechselt sich mit dem 30-minütigen SPANNUNGSERHALTUNGSTEST ab, bis die Verbindung zur Batterie getrennt wird. Eine ausführlichere Beschreibung des automatischen Wartungszyklus für die langfristige Batterielagerung finden Sie im Abschnitt AUTOMATISCHE BATTERIEWARTUNG.

DE

## PROGRAMM 2 - CAN-Bus

**WICHTIG:** Die Hochspannungsmodi STANDARD und WIEDERHERSTELLUNGSLADUNG sind deaktiviert. Dieses Programm ist für das Laden, Testen und zum langfristigen Erhalt von Batterien in Fahrzeugen mit CAN-Bus vorgesehen.

**EMPFEHLUNG:** Aufladen über den 12-V-Anschluss mit passendem 0-2 (12-V-Stecker für Auto- oder DIN-Buchse) oder 0-9 (erweiterter 12-V-DIN-Stecker).

### LED-ANZEIGEN VOR DEM ANSCHLIESSEN DER BATTERIE:

**LED 3+4 blinkt:** Das Programm sendet ein Signal, um den vom CAN-Bus gesteuerten 12-V-Anschluss zu finden und zu aktivieren.

**LED 3+4+5+6+7 blinkt:** An den Ausgabeklemmen wurde ein Kurzschluss erkannt. Leuchtet auch LED 2 (POLARITÄTSUMKEHR), stimmen die Batteriebedingungen nicht. Das Ladegerät ist elektronisch geschützt, sodass kein Schaden entsteht. Der Ausgang bleibt deaktiviert, bis die Bedingungen stimmen.

### VORQUALIFIKATIONSTEST: LEDs 5/6/7

**TEST-LEDs 5/6/7 zeigen die erfolgreiche Aktivierung des vom CAN-Bus gesteuerten 12-V-Ausgangs und den Zustand der Batterie vor dem Laden an. Der Ladevorgang beginnt nach 10 Sekunden.** Informationen zu den Anzeigen der TEST-LED finden Sie in der Tabelle „FRÜHZEITIGE WARTUNG BEI BATTERIEPROBLEMEN“ auf Seite 2 (Abbildung 2).

**HINWEIS:** Bei Nichtaktivierung kann eines der folgenden Probleme vorliegen: Programm 1 ist ausgewählt/Falsche Verbindung zum 12-V-Ausgang/Batteriespannung reicht für den Betrieb des CAN-Bus nicht aus/Veraltete CAN-Bus-Programmierung des Fahrzeugs – wenden Sie sich an den Fahrzeughersteller.

### WIEDERHERSTELLUNG/SULFATENTFERNUNG: LED 3

Dieser Modus wird aktiviert, wenn während der Vorqualifizierung LED 7 (rot) oder LED 6 (gelb) aufleuchtet. Das CAN-Bus-Programm kann nur den Niederspannungsmodus IMPULS auswählen. Ladezeit: 15 Minuten.

**IMPULS-Wiederherstellung - LED 3 leuchtet:** Strom bis zu 0,8 A wird in Impulsen abgegeben, um die Batterie auf die volle Ladung vorzubereiten.

### AUFLADEN: LED 4

**GROBLADUNG – LED 4 leuchtet:** Ein konstanter Strom von 0,8 A mit bis zu 14,2 - 14,4 V wird an die Batterie abgegeben.

**ABSCHLUSSLADUNG – LED 4 blinkt:** Impulsabsorption: Der Strom wird in Impulsen von 0,2 bis 0,8 A und mit bis zu 14,2 - 14,4 V abgegeben, um die Batterie so schnell wie möglich voll zu laden. Überprüfung: Fällt der Strombedarf unter 0,2 A, wird die Ladespannung auf 13,6 V begrenzt und der Ladezustand der Batterie wird ermittelt.

Muss die Batterie weiter geladen werden, kehrt das Programm zum Impulsmodus zurück.

Hat die Batterie entsprechend ihrem Zustand genug Ladung angenommen, folgt die Spannungserhaltung.

**HINWEIS 1:** Das Programm wird 2 Minuten nach dem manuellen Trennen oder nach Deaktivierung des 12-V-Ausgangs durch das CAN-Bus-System zurückgesetzt, wenn das Programm den Ausgang bis dahin nicht wieder aktivieren konnte.

**HINWEIS 2:** Aus Sicherheitsgründen ist die Ladezeit auf 48 Stunden begrenzt.

### SPANNUNGSERHALTEST: LED 5 blinkt

Die Spannungsversorgung der Batterie wird nach 30 Minuten unterbrochen, um deren Fähigkeit zum Ladungserhalt zu prüfen. Auf diese Weise deaktiviert das CAN-Bus-System den 12-V-Ausgang und trennt so die Batterie vom Ladegerät. Nach Abschluss des Testzeitraums wird der vom CAN-Bus gesteuerte 12-V-Ausgang wieder aktiviert, um die Batteriespannung zu messen.

Anschließend folgt die WARTUNGSLADUNG, und das Testergebnis wird angezeigt.

Informationen zu den LED-Anzeigen finden Sie in der Tabelle „FRÜHZEITIGE WARTUNG BEI BATTERIEPROBLEMEN“ auf Seite 2. Im Abschnitt HINWEISE ZU TESTERGEBNISSEN finden Sie Informationen zu den Gründen für schlechte Testergebnisse und zum Testen einer Batterie, die zwar gute Ergebnisse erzielt, aber keine ausreichende Energie abgeben kann. **HINWEIS:** Wird das Ladegerät während des Tests manuell vom 12-V-Ausgang oder von der Batterie getrennt, wird es am Ende des Testzeitraums nicht zurückgesetzt.

### WARTUNGSLADUNG: LED 5/6/7 leuchtet

Der Schaltkreis gibt für 30 Minuten sichere 13,6 V an die Batterie ab, während das Ergebnis des Spannungserhalttests angezeigt wird. Die 30-minütige Erhaltungsladung wechselt sich mit dem 30-minütigen SPANNUNGSERHALTUNGSTEST ab, bis die Verbindung zur Batterie getrennt wird. Eine ausführliche Beschreibung des automatischen Wartungszyklus zur Langfristigen Batterieerhaltung finden Sie im Abschnitt AUTOMATISCHE BATTERIEWARTUNG.

**HINWEIS 1:** Das Programm wird 2 Minuten nach dem manuellen Trennen oder nach Deaktivierung des 12-V-Ausgangs durch das CAN-Bus-System zurückgesetzt, wenn das Programm den Ausgang bis dahin nicht wieder aktivieren konnte.

## HINWEISE ZU DEN TESTERGEBNISSEN:

1. Bei allen Prüfergebnissen ausser grün 5 sollte die Batterie von der elektriker, die sie speist, getrennt und das optimale wieder angeschlossen werden. Wird nun ein besseres Prüfergebnis erzielt, legt dies den schluss nahe, dass die leistungsverluste zum teil auf ein problem in der elektriker und nicht in der batterie selbst zurückzuführen sind. wenn das schlechte Ergebnis weiter besteht, empfehlen wir, die Batterie in eine Fachwerkstatt zu bringen, die über die Ausrüstung für eine gründlichere Untersuchung verfügt.
2. Während des Wartungszyklus wird das TEST-Ergebnis angezeigt, bis der TEST- und WARTUNGS-Zyklus wiederholt wird. Der Spannungsabfall auf eine Stromentnahme aus der Batterie zurückzuführen ist, die nur vorübergehender Natur ist, kann die LED-Anzeige auf ein besseres Niveau wechseln.
3. Leuchtet nur die rote LED 7 oder leuchten die gelbe LED 6 und die rote LED 7 gemeinsam, liegt ein erhebliches Problem vor. Die rote/gelbe und rote LED #6 und #7 (oder die gelbe LED #6 allein bei einer gekapselten Batterie) bedeuten, dass nach dem Laden die Batteriespannung nicht gehalten wird oder dass trotz Wiederbelebungsversuchen die Batterie irreparabel war. Dies kann auf einen Defekt in der Batterie selbst, etwa auf eine kurzgeschlossene Zelle oder völlige Sulfatierung zurückzuführen sein, oder, im Falle einer Batterie, die noch an die Fahrzeugelektrik angeschlossen ist, weist die rote LED #7 eventuell auf einen Verlust von Strom durch eine defekte Verkabelung oder einen defekten Schalter oder Kontakt oder einen Stromverbraucher in der Fahrzeugelektrik hin. Auch eine plötzliche Belastung, etwa das Einschalten der Scheinwerfer, während das Ladegerät angeschlossen ist, kann zu einem signifikanten Abfallen der Batteriespannung führen.
4. GUTES TESTERGEBNIS, aber die Batterie kann nicht genügend Energie abgeben: Ein dauerhafter Schaden in der Batterie kann zu übermäßiger Selbstentladung führen (diese wird durch die Batterie selbst verursacht, auch wenn eine teilweise beschädigte Batterie genügend Energie speichern kann. Diese Energie geht schneller als üblich wieder verloren.). Trennen Sie die Batterie vom OptiMate. Schließen Sie die Batterie frühestens nach 12 Stunden wieder an, und lesen Sie das TEST-Ergebnis nach dem VORQUALIFIKATIONSTEST ab.

**AUTOMATISCHE BATTERIEWARTUNG:** Der WARTUNGSZYKLUS besteht aus 30-minütigen "Float"-Ladungsperioden, gefolgt von/abwechselnd mit 30-minütigen Ruheperioden, in denen kein Ladestrom anliegt. Dieser "50% Zyklus" verhindert den Verlust von Elektrolyt in gekapselten Batterien und minimiert den allmählichen Verlust von Wasser aus dem Elektrolyt in Batterien mit Verschlusskappen und trägt damit erheblich zur Optimierung der Lebensdauer von unregelmäßig oder saisonal benutzten Batterien bei. Die Schaltung versorgt die Batterie innerhalb eines sicheren Spannungslimits von 13,6 V mit Strom ("Float-Ladung"), wobei die Batterie jeden noch so geringen Strom entnehmen kann, der nötig ist, um sie bei voller (oder annähernd voller) Ladung zu halten und die kleinen elektrischen Belastungen auszugleichen, die Verbraucher im Fahrzeug oder Bordcomputer, oder die natürliche allmähliche Selbstentladung der Batterie selbst darstellen.

**Wartung einer Batterie über einen längeren Zeitraum:** Das OptiMate wartet monatelang sicher, eine Batterie, deren grundlegender Zustand gut ist. Überprüfen Sie mindestens einmal alle zwei Wochen, ob die Verbindungen zwischen Ladegerät und Batterie sicher sind, klemmen Sie bei Batterien mit Verschlussdeckeln die Batterie vom Ladegerät ab, prüfen Sie in den einzelnen Zellen den Elektrolytstand, füllen Sie die Zellen bei Bedarf auf (**mit destilliertem Wasser, NICHT mit Säure**), und schließen Sie die Batterie wieder an. Beachten Sie beim Umgang mit Batterien oder bei Arbeiten in ihrer Nähe immer sorgfältig die oben genannten SICHERHEITSWARNUNGEN.

## Ladedauer

Die Zeit, die das OptiMate 4 mindestens für einen Lade- und Prüfzyklus und die Ermittlung eines Ergebnisses braucht, beträgt, auch bei einer vollständig geladenen Batterie, 45 Minuten. Die Ladezeit einer leeren aber ansonsten unbeschädigten Batterie entspricht etwas gleich dem Ah-Wertes der Batterie, also sollte es bei einer 20Ah-Batterie nicht länger als rund 20 Stunden dauern, bis die Spannungshalteprüfung erreicht ist (§ 5). Bei tiefentladenen Batterien kann dies erheblich länger dauern. Wird das OptiMate 4 bei einer stark entladenen Autobatterie größerer Kapazität verwendet, lässt sich eine volle Ladung eventuell nicht innerhalb der Ladesicherheitsgrenze von 48 Stunden erreichen.

## Zurücksetzen des Lade- oder Testzyklus

Unterbrechen Sie die Netzspannungsversorgung. Warten Sie, bis die NETZ-LED 1 erlischt. Nach dem Verbinden mit der Netzspannung blinken alle LEDs bis auf 1, 2, 8, 9 und 10 zweimal, um die Funktion des Mikroprozessors zu bestätigen, auch wenn das Ladegerät nicht mit einer Batterie verbunden ist.

## BEGRENZTE GARANTIE

TecMate (International) N.V., Sint-Truidensesteenweg 252, B-3300 Tienen, Belgien, gewährt dem ursprünglichen Käufer beim Kauf dieses Produktes diese begrenzte Garantie. Diese begrenzte Garantie ist nicht übertragbar. TecMate (International) übernimmt für drei Jahre ab Verkaufsdatum die Garantie für dieses Batterieladegerät hinsichtlich Material- oder Verarbeitungsfehlern. Sollten solche Fehler auftreten, wird das Gerät nach Ermessen des Herstellers repariert oder ersetzt. Es ist Sache des Käufers, das Gerät zusammen mit dem Kaufnachweis (siehe "BEACHTUNG") an den Hersteller oder seinen ermächtigten Vertreter einzuschicken, wobei der Käufer die Transport- oder Portokosten trägt. Diese begrenzte Garantie ist nichtig, wenn das Produkt mißbräuchlich verwendet, unsachgemäß behandelt oder nicht vom Werk oder einem ermächtigten Vertreter repariert wurde. Der Hersteller gewährt außer dieser begrenzten Garantie keinerlei Garantie und schließt ausdrücklich jede implizite Gewährleistung, einschließlich jeglicher Garantie gegen Folgeschäden aus.

DIES IST DIE EINZIGE AUSDRÜCKLICHE BEGRENZTE GARANTIE, UND DER HERSTELLER ÜBERNIMMT KEINERLEI VERPFLICHTUNG GEGENÜBER DEM PRODUKT. IHRE GESETZLICHEN RECHTE SIND NICHT BETROFFEN.

BEACHTUNG: Siehe [www.tecmate.com/warranty](http://www.tecmate.com/warranty) oder kontaktieren Sie [warranty@tecmate.com](mailto:warranty@tecmate.com)

copyright © 2012 TecMate International

OptiMate 4 und die Namen anderer Produkte wie BatteryMate, TestMate und TestMate mini, die in diesen Anweisungen erwähnt werden, sind geschützte Warenzeichen von TecMate International NV.

Mehr Informationen über TecMate Produkten können bei [www.tecmate.com](http://www.tecmate.com) gefunden werden.

DE

# Optimate™ 4

## AUTOMATISCHE DIAGNOSTISCHE LADER VOOR 12V LOOD-ZUURACCU'S VAN 3Ah - 50Ah, ZOALS GEBRUIKT IN:



### NIET GEBRUIKEN VOOR NiCd, NiMH, Li-Ion OF NIET-OPLAADBARE DROGE CELBATTERIJEN.

Ingang: 220-240V ~ maximum 0,095A. De maximale uitgangsstroom is 0,8A.

### BELANGRIJK: LEES DE ONDERSTAANDE INSTRUCTIES ALVORENS DE LADER TE GEBRUIKEN

Dit apparaat is niet bedoeld voor gebruik door personen (ook kinderen) met fysieke, zintuigelijke of mentale beperkingen, of gebrek aan ervaring of kennis, tenzij onder toezicht of met begeleiding betreffende het gebruik van het apparaat door een persoon die instaat voor hun veiligheid. Men dient erop toe te zien dat kinderen niet spelen met het apparaat.

**VEILIGHEIDSWAARSCHUWING EN OPMERKINGEN:** Accu's geven EXPLOSIEVE GASSEN vrij - voorkom vlammen of vonken in de buurt van accu's.

Ontkoppel de wisselstroomvoeding alvorens de verbinding tussen de accu en de gelijkstroom te maken of te verbreken. Accuzuur is uiterst corrosief. Draag beschermende kledij en oogbescherming en vermijd contact. In geval van contact, onmiddellijk wassen met zeep en water. Controleer of de accu goed stevig in elkaar zit, laat de accu anders door een professional nakijken. Indien de accu gecorrodeerd is, moet u dit schoonmaken met een koperen borstel; vet of vuil verwijderd u met een licht vochtige vod die in detergent werd gedrenkt. Gebruik de lader alleen wanneer de leidingen en koppelstukken in goede en onbeschadigde toestand verkeren. Indien de voedingskabel beschadigd is, moet u deze onmiddellijk door de fabrikant, diens gemachtigde vertegenwoordiger of een erkend atelier laten vervangen om gevaar te vermijden. Bescherm uw lader tegen zuren en zure dampen en tegen vochtige omstandigheden tijdens gebruik en opslag. Schade als gevolg van corrosie, oxidatie of interne kortsluiting wordt niet gedekt door de garantie. Zet de lader tijdens het laden weg van de accu om contaminatie te vermijden of blootstelling aan zuren of zure dampen. Indien de lader horizontaal wordt gebruikt, moet u hem op een hard en effen oppervlak plaatsen maar NIET op plastic, textiel of leer. Gebruik de bevestigingsgaten in de behuizing om de lader te bevestigen op een geschikt en stevig verticaal oppervlak.

**BLOOTSTELLING AAN VLOEISTOFFEN:** De lader is ontworpen om oppervlakkige blootstelling aan van bovenaf per ongeluk gemorste vloeistoffen of lichte regenval te kunnen weerstaan. Het is niet aangeraden om de lader langere tijd hieraan bloot te stellen. De lader beschikt over een langere levensduur indien u deze blootstelling tot een minimum kan beperken. Het falen van de lader door oxidatie, als gevolg van mogelijke penetratie door vloeistoffen in de elektronische componenten, verbindingstukken of stekker is niet gedekt door de garantie.

**AANSLUITING VAN DE ACCU:** Er worden 2 onderling vervangbare aansluitsets geleverd, één heeft krokodilklampen voor het laden van de accu buiten het voertuig, de andere heeft metalen klepjes met ogen voor permanente aansluiting op de accu en een afsluitbare waterdichte kap op de connector die verbonden wordt met de lader. Dankzij deze set kunt u de lader gemakkelijk en veilig aansluiten om de accu op het voertuig te houden. De herbruikbare waterdichte kap is bedoeld om de connector te beschermen tegen vuil en vocht wanneer de lader niet is aangesloten. Raadpleeg een professionele onderhoudstechnicus voor hulp bij het bevestigen van de metalen oogjes. Zet de connector vast met de waterdichte kap zodat hij geen bewegende delen van het voertuig kan belemmeren en dat de kabel niet geklemd kan raken of beschadigd wordt door scherpe randen. De zekering in de verbindingssset beschermt de accu tegen toevallige kortsluiting doorheen positieve en negatieve geleiders. Vervang gesmolten zekeringen enkel door een gelijkwaardige nieuwe zekering van 15A.

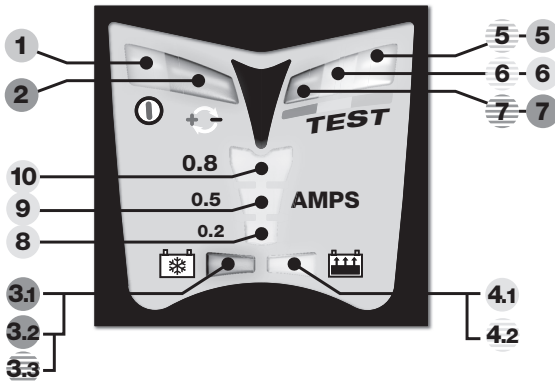
### DE LADER AANSLUITEN OP DE ACCU

1. De stekker van de lader mag niet in het stopcontact zitten, wanneer gelijkstroom-/accuverbindingen gemaakt of verbroken worden.
2. Indien u een accu in een voertuig met accuklemmen gaat opladen, dient u, voordat u de lader aansluit, te controleren of de accuklemmen veilig en op voldoende afstand van de omringende bedrading, metalen buizen en het chassis geplaatst kunnen worden. Sluit de lader aan in deze volgorde: Sluit eerst de pool van de accu aan die niet verbonden is met het chassis (meestal positief), sluit daarna de andere accuklem aan (meestal negatief) op het chassis op ruime afstand van de accu en de brandstofleiding. Ontkoppel de lader in omgekeerde volgorde.
3. Plaats de accu in een goed geventileerde ruimte wanneer u een accu met accuklemmen buiten het voertuig gaat opladen. De lader aansluiten op de accu: RODE klem op de POSITIEVE (POS, P of +) pool en ZWARTE klem op de NEGATIEVE (NEG, N of -) pool. Zorg dat de klemmen stevig en veilig zijn bevestigd. Een goed contact is belangrijk.
4. Als de accu zwaar ontladen (en mogelijk gesulfateerd) is, dient de accu uit het voertuig verwijderd en gecontroleerd te worden voordat er een poging ondernomen wordt om de accu te herstellen. Controleer de accu visueel op mechanische defecten zoals vormverwijding, gescheurde behuizing of tekenen van elektrolytlekkage. Als de accu vuldoppen heeft en de platen in de cellen vanaf de buitenzijde zichtbaar zijn, kunt u voorzichtig proberen vast te stellen of bepaalde cellen afwijken van andere (bijvoorbeeld wit materiaal tussen de platen, platen die elkaar raken). Probeer de accu niet op te laden wanneer u mechanische defecten hebt vastgesteld, maar laat de accu nakijken door een vakman.
5. Lees de veiligheidsinstructies en de gebruiksaanwijzing van de fabrikant zorgvuldig door voordat u de lader aansluit op een nieuwe accu. Volg, indien van toepassing, de instructies betreffende het vullen van zuur zorgvuldig en nauwkeurig op.

NL

VEILIGHEID

## DE OPTIMATE 4 GEBUIKEN



**DUBBEL PROGRAMMA:** de OptiMate 4 is uitgerust met twee laadprogramma's. Er kan slechts één programma tegelijkertijd worden uitgevoerd. Afhankelijk van het geselecteerde model van de OptiMate 4 zal programma 1 (STANDAARD) of programma 2 (CAN-bus) standaard zijn ingesteld.

**Programma 1 (STANDAARD)** is het normale laadprogramma voor rechtstreekse aansluiting op een accu in elke mogelijke conditie. Alle programmafuncties zijn actief, inclusief Standaard, TURBO- en PULS-desulfateringsmodus.

**Programma 2 (CAN-bus)** activeert automatisch een 12 V-uitgang op voertuigen die zijn uitgerust met een CAN-bus, voor het laden, testen en onderhouden van de accu wanneer het voertuig is gestald. De standaard desulfateringsmodus en de TURBO-desulfateringsmodus met hoge spanning zijn gedeactiveerd. De PULS-desulfateringsmodus met lage spanning blijft actief, om een ontladen accu die aan het bedradingscircuit van het voertuig blijft gekoppeld, te herstellen.

Programma 2 kan ook worden gebruikt om een accu in of buiten het voertuig rechtstreeks te laden en te onderhouden, *maar kan niet worden gebruikt om een gesulfateerde accu te herstellen*. Om een gesulfateerde accu te herstellen, kiest u programma 1 en volgt u de instructies onder **DIEP ONTLADEN VERWAARLOOSDE ACCU'S**.

**Programma-indicatie** wanneer de lader niet is aangesloten op een 12 V-uitgang van accu.

- STANDAARD: alleen LED #1 (VOEDING AAN), blijft branden.
- CAN-bus: LED #1 (VOEDING AAN) blijft branden en zowel LED #3 (DESULFATEREN) als LED #4 (LADEN) knipperen steeds kort met regelmatige tussenpozen.

### Om van het ene programma over te schakelen naar het andere:

1. Koppel de lader los van de AC-voeding.
2. Bevestig de accuklemmen op de lader en sluit de negatieve klem rechtstreeks aan op de positieve klem.
3. Sluit de lader opnieuw aan op de AC-voeding.
4. Let op de volgende ledindicaties:  
LED #3+4+5+6+7 knipperen 12 keer tijdens het selecteren van het andere programma (5x langzaam, 5x snel, 2x langzaam).  
Na overschakeling naar het andere programma zijn de volgende indicaties te zien (terwijl de accuklemmen nog steeds op elkaar zijn aangesloten):
  - Overgeschakeld van CAN-bus naar STANDAARD: alleen LED #1 (VOEDING AAN) blijft branden.
  - Overgeschakeld van STANDAARD naar CAN-bus: LED #3 en LED #4 knipperen beide met regelmatige tussenpozen, meteen gevolgd door LED #8.
5. Koppel de accuklemmen los. De OptiMate 4 is klaar om een accu te laden op basis van het geselecteerde programma.

## BEGINNEN MET LADEN

**VOEDING AAN: LED #1** – Deze LED bevestigt de AC stroomtoevoer naar de lader.

**BESCHERMING OMGEKEERDE POLARITEIT: LED #2** – Brandt wanneer de accu verkeerd is aangesloten. De lader is elektronisch beschermd en zal dus niet beschadigd raken. De uitgang blijft uitgeschakeld tot de aansluiting gecorrigeerd is.

**LAADSTROOMBALK: LED #8, 9, 10** – Brandt wanneer een pulsstroom of continue stroom wordt geleverd aan de accu.

Stroomsterkte-indicaties: LED #8: 0,2 A LED #8+9: 0,5 A LED #8+9+10: 0,8 A

NL

## PROGRAMMA 1 - STANDAARD

**DEEP ONTLADEN VERWAARLOOSDE ACCU's:** wanneer de accu diep ontladen (en mogelijk gesulfateerd) is, moet de accu uit het voertuig worden verwijderd en worden gecontroleerd voordat de lader op de accu wordt aangesloten en een poging wordt gedaan om de accu te herstellen.

De TURBO-herstelmodus van de lader kan niet worden ingeschakeld wanneer de lader detecteert dat de accu nog steeds is aangesloten op het bedradingscircuit van het voertuig. De elektrische weerstand van een aangesloten accu is namelijk duidelijk lager dan die van de accu alleen. Wanneer een diep ontladen accu voorafgaand aan een herstel poging niet is verwijderd, zal dit echter geen schade toebrengen aan de accu of het voertuig.

**LET OP!** Het volgende grondig lezen, in het bijzonder voor relatief kleine accu's voor gebruik op bromfietsen, grasmaaiers, jetski's, sneeuwscooters en dergelijke: Een accu die lange tijd diep ontladen blijft, kan permanente schade ontwikkelen in één of meer cellen. Deze accu's kunnen oververhitten tijdens het laden. Stop het laden onmiddellijk indien de accu onaangenaam heet aanvoelt. Controleer de temperatuur van de accu tijdens het eerste uur en daarna om het uur. Kijk uit voor ongewone tekenen zoals borrelend of lekkend elektrolyt, een verhoogde activiteit in één cel in vergelijking met andere of een sissend geluid. Indien de accu onaangenaam warm aanvoelt of als u ongewone zaken ziet, ONTKOPPEL DE LADER DAN ONMIDDELIJK.

### PREKwalificatietest: LED #5, 6, 7

De TESTLED's #5, 6, 7 geven de conditie van de accu voorafgaand aan het laden weer. Het laden start na 10 seconden.

Raadpleeg de tabel "VROEGE TEKENEN VAN ACCUPROBLEMEN" op pagina 2 (afbeelding 2) voor TESTLED-indicaties.

**LED #7 knippert:** de OptiMate 4 stuurt een testsignaal om te bepalen of de accu kan worden hersteld. Wanneer de indicatie 10 seconden lang stabiel is, wordt begonnen met laden. Wanneer de led blijft knipperen, kan de accu niet met succes worden hersteld.

### HERSTELLEN/DESULFATEREN: LED #3

Deze modus wordt ingeschakeld wanneer prekwificatie-LED #7 (rood) of LED #6 (geel) brandt, of wanneer beide branden. Het programma zal de juiste laadmodus bepalen. Laadtijd: minimaal 15 minuten, maximaal 2 uur.

**STANDAARD-herstel voor verwaarloosde accu's – LED #3 brandt constant:** er wordt maximaal 16 V geleverd met een stroom die wordt beperkt tot 0,2 A. Wanneer de accu geen laadstroom kan accepteren, wordt na 5 seconden de TURBO-herstelmodus ingeschakeld. Accu's die een laadstroom van 0,2 A kunnen accepteren, zullen overgaan naar PULS-herstel.

**TURBO-herstel voor zwaar verwaarloosde accu's – LED #3 knippert:** de uitgangsspanning wordt verhoogd naar maximaal 22 V met een stroom die wordt beperkt tot 0,2 A.

**PULS-herstel – laatste 15 minuten – LED #3 brandt constant:** er wordt een stroom van maximaal 0,8 A geleverd in pulsen, om de accu voor te bereiden op de ontvangst van een normale laadstroom. *Deze modus is met name effectief voor het herstellen van in de fabriek geactiveerde/"hoogwaardige" AGM lood- of cyclische accu's.*

### LADEN: LED #4

**BULK-laden – LED #4 brandt constant:** er wordt een continue stroom van 0,8 A met een spanning van maximaal 14,2-14,4 V geleverd aan de accu.

**EIND-laden – LED #4 knippert:** pulsabsorptiestap – de stroom wordt geleverd in pulsen, variërend van 0,2 tot 0,8 A met een spanning van maximaal 14,2-14,4 V, om de accu in een zo kort mogelijke tijd volledig te laden. Controleestap: zodra de stroomvraag lager is dan 0,2 A wordt de laadspanning begrensd tot 13,6 V terwijl het laadniveau van de accu wordt gecontroleerd.

Wanneer de accu nog verder moet worden geladen, keert het programma terug naar pulsabsorptie.

Wanneer de accu zoveel lading heeft ontvangen als de basisconditie toestaat, volgt de spanningsbehoudstap.

**Nota** Om veiligheidsredenen is de totale laadtijd beperkt tot 48 uur.

### Spanningsbehoudtest: LED #5 knippert

De levering van stroom aan de accu wordt gedurende 30 minuten onderbroken, zodat het programma kan bepalen of de accu in staat is om de lading vast te houden. Voor accu's in een gezonde conditie zou LED #5 (groen) tijdens deze 30 minuten continu moeten blijven knipperen. Raadpleeg de tabel "VROEGE TEKENEN VAN ACCUPROBLEMEN" op pagina 2 voor andere ledindicaties dan LED #5 (groen). Er is sprake van een ernstig probleem wanneer de accu niet in staat is om voldoende lading vast te houden gedurende de testperiode van 30 minuten. Lees de paragraaf OPMERKINGEN OVER DE TESTRESULTATEN over de redenen voor slechte resultaten of over het testen van een accu die een goed resultaat laat zien, maar niet voldoende vermogen kan leveren wanneer hij weer in gebruik wordt genomen.

### ONDERHOUDSLADEN: LED #5, 6, 7 branden constant

Het laadcircuit levert gedurende 30 minuten stroom aan de accu binnen een veilige begrenzing van 13,6 V, terwijl het resultaat van de spanningsbehoudtest wordt weergegeven. Raadpleeg de tabel "VROEGE TEKENEN VAN ACCUPROBLEMEN" op pagina 2 voor andere ledindicaties dan LED #5 (groen). De 30 minuten durende druppellaadperiodes worden afgewisseld met de 30 minuten durende SPANNINGSBEHOUDTEST-periodes totdat de accu wordt losgekoppeld. Een uitgebreidere beschrijving van de automatische onderhoudscyclus voor langdurige accuopslag is te vinden in de paragraaf AUTOMATISCH ACCUONDERHOUD.

## PROGRAMMA 2 – CAN-bus

**BELANGRIJK:** de STANDAARD- en HERSTELLAAD-modi met hoge spanning zijn uitgeschakeld. Dit programma is bedoeld voor het laden, testen en langdurig onderhouden van accu's in voertuigen die zijn uitgerust met een CAN-bus.

AANBEVELING: laad via de 12 V-uitgang met behulp van de relevante 0-2 (12 V-uitgangsconnector voor auto- en DIN-contact) of 0-9 (verlengde 12 V DIN-connector).

### LEDINDICATIES VOORAFGAAND AAN AANSLUITING OP DE ACCU:

**LED #3+4 knipperen:** het programma verstuurt een signaal om een via CAN-bus bestuurd 12 V-uitgang te detecteren en te activeren.

**LED #3+4+5+6+7 knipperen:** er is een kortsluiting over de uitgangsklemmen gedetecteerd. Wanneer LED #2 (OMGEKEERDE POLARITEIT) eveneens brandt, is de accu verkeerd aangesloten. De lader is elektronisch beveiligd, zodat er niets zal worden beschadigd. De uitgang zal uitgeschakeld blijven totdat de aansluitingen correct zijn.

### PREKWALIFICATIETEST: LED #5, 6, 7

De TESTLED's #5, 6, 7 geven een succesvolle activering van de via een CAN-bus bestuurd 12 V-uitgang en de conditie van de accu voorafgaand aan het laden aan. Het laden start na 10 seconden. Raadpleeg de tabel "VROEGE TEKENEN VAN ACCUPROBLEMEN" op pagina 2 (afbeelding 2) voor TESTLED-indicaties.

**Nota** Het niet activeren van de uitgang kan de volgende oorzaken hebben: programma 1 is geselecteerd; slechte aansluiting op de 12 V-uitgang; accu heeft te laag vermogen om CAN-bus te voeden; verouderd CAN-busprogramma op het voertuig – neem contact op met de voertuigfabrikant.

### HERSTELLEN/DESULFATEREN: LED #3

Deze modus wordt ingeschakeld wanneer prekwalficatie-LED # 7 (rood) of LED #6 (geel) brandt, of wanneer beide branden. Het CAN-busprogramma kan enkel de PULS-herstelmodus met lage spanning selecteren. Laadtijd: 15 minuten.

**PULS-herstel – LED #3 brandt constant:** er wordt een stroom van maximaal 0,8 A geleverd in pulsen, om de accu voor te bereiden op de ontvangst van de volle laadstroom.

### LADEN: LED #4

**BULK-laden – LED #4 brandt constant:** er wordt een constante stroom van 0,8 A met een spanning van maximaal 14,2-14,4 V geleverd aan de accu.

**EIND-laden – LED #4 knippert:** pulsabsorptiestap – de stroom wordt geleverd in pulsen, variërend van 0,2 tot 0,8 A met een spanning van maximaal 14,2-14,4 V, om de accu in een zo kort mogelijke tijd volledig te laden. Controleestap: zodra de stroomvraag lager is dan 0,2 A wordt de laadspanning begrensd tot 13,6 V terwijl het laadniveau van de accu wordt gecontroleerd. Wanneer de accu nog verder moet worden geladen, keert het programma terug naar pulsabsorptie.

Wanneer de accu zoveel lading heeft ontvangen als de basisconditie toestaat, volgt de spanningsbehoudstap.

**Nota 1** Het programma wordt 2 minuten na een handmatige loskoppeling automatisch gereset. Een automatische reset vindt ook plaats wanneer het CAN-bussysteem de bestuurd 12 V-uitgang heeft gedeactiveerd en het programma de uitgang niet binnen 2 minuten kan heractiveren.

**Nota 2** Om veiligheidsredenen is de totale laadtijd beperkt tot 48 uur.

### SPANNINGSBEHOUDTEST: LED #5 knippert

De stroom naar de accu wordt gedurende 30 minuten onderbroken om te kunnen bepalen of de accu in staat is om de lading vast te houden. Dit zal het CAN-bussysteem aangeven de 12 V-uitgang binnen de eigen tijdslimiet uit te schakelen, waarbij de accu wordt losgekoppeld van de lader. Aan het einde van de testperiode zal het programma de via een CAN-bus bestuurd 12 V-uitgang opnieuw initialiseren om de accuspanning te meten en vervolgens overschakelen naar ONDERHOUDSLADEN, waarbij het resultaat van de test wordt weergegeven.

Raadpleeg de tabel "VROEGE TEKENEN VAN ACCUPROBLEMEN" op pagina 2 voor ledindicaties. Lees de paragraaf **OPMERKINGEN OVER DE TESTRESULTATEN** over de redenen voor slechte resultaten of over het testen van een accu die een goed resultaat laat zien, maar niet voldoende vermogen kan leveren wanneer hij weer in gebruik wordt genomen. **Nota** Wanneer de lader tijdens de test handmatig wordt losgekoppeld van de 12 V-uitgang of de accu zal hij pas aan het einde van de testperiode automatisch worden gereset.

### ONDERHOUDSLADEN: LED #5, 6, 7 branden constant

Het laadcircuit levert gedurende 30 minuten stroom aan de accu binnen een veilige begrenzing van 13,6 V, terwijl het resultaat van de spanningsbehoudtest wordt weergegeven. De 30 minuten durende druppellaadperiodes worden afgewisseld met de 30 minuten durende SPANNINGSBEHOUDTEST-periodes totdat de accu wordt losgekoppeld. Een uitgebreidere beschrijving van de automatische onderhoudscyclus voor langdurige accuopslag is te vinden in de paragraaf **AUTOMATISCH ACCUONDERHOUD**.

**Nota** Het programma wordt 2 minuten na een handmatige loskoppeling automatisch gereset. Een automatische reset vindt ook plaats wanneer het CAN-bussysteem de bestuurd 12 V-uitgang heeft gedeactiveerd en het programma de uitgang niet binnen 2 minuten kan heractiveren.

NL



## OPMERKINGEN OVER DE TESTRESULTATEN:

1. Indien het testresultaat niet gelijk is aan groen LED #5, moet u de accu loskoppelen van het elektrische systeem dat het ondersteunt en de optimale opnieuw aankoppelen. Indien nu een beter testresultaat wordt verkregen, suggereert dat het stroomverlies gedeeltelijk te wijten is aan een elektrisch probleem in het elektrische systeem en niet in de accu zelf. Indien het slechte resultaat aanhoudt, moet u de accu naar een professionele dienst brengen die uitgerust is met professionele toestellen voor een grondiger onderzoek.

2. Tijdens de onderhoudslaadcyclus zullen de TEST-resultaten op het scherm blijven totdat de TEST- en ONDERHOUDS-cyclus wordt herhaald. Indien de spanningsdaling het gevolg was van een stroomlek uit de accu dat van tijdelijke aard was, kan de LED-aanduiding terugkeren naar een beter niveau.

3. Wanneer enkel LED #7 (rood) brandt of wanneer LED #6 (geel) en LED #7 (rood) beide branden, is er sprake van een ernstig probleem. Rode en gele + rode LED's #7 en #6 (of alleen GEEL #6 voor een afgedichte accu) betekent dat de spanning van de accu na het laden niet behouden blijft of dat de accu niet gerecupereerd kon worden. Dat kan te wijten zijn aan een defect in de accu zelf, zoals een kortsluiting in een cel of totale sulfatering of, indien de accu nog steeds verbonden is met het elektrische systeem dat hij ondersteunt, kan de rode LED #7 een stroomverlies aangeven door beschadigde bedrading of een beschadigde schakelaar of contact of toebehoren binnen de schakeling die stroom verbruiken. Een plotse belasting zoals de koplampen van een voertuig die ingeschakeld worden terwijl de lader is aangesloten kan er ook voor zorgen dat de accuspanning aanzienlijk daalt.

4. GOED TESTRESULTAAT, maar de accu kan niet voldoende vermogen leveren. Een permanente beschadiging van de accu kan leiden tot overmatige zelfontlading (veroorzaakt de accu zelf; zelfs een gedeeltelijk beschadigde accu kan aanvankelijk weer voldoende vermogen hebben, maar zal vervolgens sneller vermogen verliezen dan normaal). Koppel de accu los van de OptiMate. Wacht minstens 12 uur voordat u de lader opnieuw aansluit, en houd de TEST-resultaten tijdens de PREKwalificatietest in de gaten.

**AUTOMATISCH ACCUONDERHOUD:** De ONDERHOUDSLAADCYCLUS bestaat uit laadperiodes van 30 minuten gevolgd door en afgewisseld met rustperiodes van 30 minuten' zonder laadstroom. Deze "50%-cyclus" voorkomt verlies van elektrolyten in afgedichte accu's en beperkt het verlies van water uit het elektrolyt in accu's met vuldoppen. Zo draagt de cyclus aanzienlijk bij tot het optimaliseren van de levensduur van onregelmatig of seizoensgebonden gebruikte accu's. De schakeling levert stroom aan de accu binnen een veilige spanningslimiet van 13,6V ("druppellading") waardoor de accu de lage stroom kan onttrekken die nodig is om een volledige lading te behouden en om kleine elektrische belastingen te compenseren die afkomstig zijn van toebehoren op het voertuig of een boordcomputer of de natuurlijke geleidelijke zelfontlading van de accu zelf.

**HERHALEN VAN TEST- EN ONDERHOUDSCYCLUS:** De spanningsretentietestcyclus, gevolgd door de onderhoudscyclus, wordt herhaald 24 uur na de start van de allereerste test en blijft herhaald worden zolang de lader verbonden blijft.

**Een accu voor lange periodes onderhouden:** De OptiMate zal een niet-defecte accu maandenlang veilig onderhouden.

Minstens om de twee weken moet u controleren of de verbindingen tussen de lader en de accu veilig zijn. In geval van accu's met vuldoppen op elke cel moet u de accu loskoppelen van de lader, het elektrolytenpeil controleren en indien nodig de cellen bijvullen (met gedestilleerd water, NIET met zuur). Sluit daarna opnieuw aan. Bij het hanteren van accu's of het werken in de buurt ervan moet u altijd de bovenstaande VEILIGHEIDSVORZORGEN naleven.

## Laadtijd

De minimale tijd die vereist is voor de OptiMate 4 om een laad- en testcyclus uit te voeren en resultaat te bekomen, zelfs bij een volledig opgeladen accu, bedraagt 45 minuten. De laadtijd voor een platte maar verder onbeschadigde accu is gelijk aan de Ah-rating van de accu. Het mag dus niet langer duren dan 20 uur om een 20 Ah accu naar de controle op zelfontlading te brengen (§ 5). Voor diep ontladen accu's kan dat aanzienlijk langer duren.

Indien u de OptiMate 4 gebruikt op een diep ontladen auto-accu van grote capaciteit kan het gebeuren dat de volledige lading niet wordt verkregen binnen de veiligheidslimiet van 48 uur. In dat geval moet u de onderstaande resetprocedure volgen.

## De laad- of testcyclus resetten

Koppel de lader los van de AC-netvoeding. Wacht tot VOEDING AAN-LED #1 uit gaat. Wanneer de lader opnieuw wordt aangesloten op de netstroom zullen alle leds behalve LED #1, 2, 8, 9 en 10 twee keer knipperen om de goede conditie van de microprocessor te bevestigen, ongeacht of de lader wel of niet is aangesloten op een accu.

## BEPERKTE GARANTIE

TecMate (International) SA, Sint-Truidensesteenweg 252, B-3300 Tienen, België, staat deze beperkte garantie toe aan elke eerste koper van dit toestel. Deze beperkte garantie gaat in op de dag van aankoop en is niet overdraagbaar. De drie jaar geldige garantie aangeboden door TecMate (International) dekt alle erkende gebreken en arbeidskosten. Indien de lader defect blijkt te zijn tengevolge van een constructiefout, zal de klant het toestel altijd vooraf en op eigen kosten terugsturen naar de fabrikant of naar de nationale officiële verdeler, samen met een kopij van de aankoopfactuur (zie "NOTITIE"). In zulke gevallen, zal de eenheid ter keuze van de fabrikant worden hersteld of worden vervangen. Onkosten tengevolge van een ongeval, slordigheid, kwaadwilligheid, misbruik, niet conform gebruik volgens de aanwijzingen van de fabrikant, of herstellingen gedaan door door TecMate niet-erkende verdelers, zijn niet gedekt door de garantie.

DE BEPERKTE GARANTIE SLUIT UITDRUKKELIJK ALLE VERDERE VERANTWOORDELIJKHEID UIT MET BETREKKING TOT EVENTUELE SCHADEVERGOEDINGEN VAN WELKE AARD DAN OOK. UW STATUTAIRE RECHTEN WORDEN NIET BEÏNVLOED.

NOTITIE: Zie [www.tecmate.com/warranty](http://www.tecmate.com/warranty) of contacteer [warranty@tecmate.com](mailto:warranty@tecmate.com).

copyright © 2012 TecMate International

OptiMate 4 en de namen van andere producten zoals BatteryMate, TestMate en TestMate mini, die in deze instructies worden vermeld, zijn gedeponeerd handelsmerken van TecMate International NV.

Meer informatie over TecMate producten kan op [www.tecmate.com](http://www.tecmate.com) worden gevonden.



# Optimate™4

## CARICABATTERIE AUTODIAGNOSTICO PER BATTERIE 12V PIOMBO-ACIDO DA 3Ah - 50Ah, PER:



**NON UTILIZZARE PER BATTERIE NiCd, NiMH, Li-Ion O NON RICARICABILI.**

Alimentazione 220-240V ~ massimo 0,095A. La corrente massima è 0,8A.

### IMPORTANTE: LEGGERE ATTENTAMENTE LE SEGUENTI ISTRUZIONI PRIMA DI UTILIZZARE IL CARICATORE

Questo dispositivo non è destinato all'uso da parte di persone (tra cui i bambini) con ridotte capacità mentali, sensoriali o fisiche oppure con una carenza in esperienza e conoscenza, salvo supervisione o istruzioni relative all'uso del dispositivo da parte di una persona responsabile della loro sicurezza. I bambini devono essere sorvegliati per evitare che giochino con il dispositivo.

**AVVERTENZE e NOTE DI SICUREZZA:** Le batterie emettono GAS ESPLOSIVI – evitare di produrre fiamme o scintille vicino alle batterie. Scollegare la corrente CA prima di effettuare connessioni alla batteria. L'acido delle batterie è estremamente corrosivo. Indossare indumenti e occhiali di protezione ed evitare il contatto diretto. In caso di contatto accidentale, lavarsi immediatamente con acqua e sapone. Verificare che i poli non siano allentati; in caso contrario portare la batteria da un professionista. Qualora i poli fossero corrosi, pulirli con uno spazzolino a fili di rame; rimuovere il grasso e lo sporco con un panno inumidito con detergente. Azionare il caricatore solo se i conduttori in uscita e in entrata e i connettori sono in buone condizioni e non presentano danni. Qualora il cavo di alimentazione fosse danneggiato, è essenziale farlo sostituire immediatamente dal fabbricante, da un suo agente di servizio autorizzato o da un'officina qualificata, onde evitare possibili pericoli. Proteggere il caricatore da acidi e vapori acidi e dall'umidità sia durante l'uso sia al momento di riporlo. I danni dovuti alla corrosione, ossidazione o corto circuito dei circuiti elettrici interno non sono coperti da garanzia. Distanziare il caricatore dalla batteria durante la carica per evitare la contaminazione o esposizione agli acidi e vapori acidi. Se utilizzato in posizione orizzontale, posizionare il caricatore su una superficie dura e piatta, ma NON su plastica, tessuto o pelle. Servirsi degli appositi fori praticati nella base di appoggio per attaccare il caricatore a una solida e adatta superficie verticale.

**ESPOSIZIONE AI LIQUIDI:** Se sistemato in posizione orizzontale su una superficie piatta, questo caricatore è progettato in modo da prevenire danni al circuito elettrico in caso di esposizione a liquidi versati o spruzzati accidentalmente dall'alto. I guasti del caricatore in seguito a ossidazione del pannello di controllo elettronico dovuta a un'eventuale penetrazione di liquido nei componenti elettronici non sono coperti da garanzia. I connettori o le prese non vanno mai esposti alla pioggia o alla neve.

**COLLEGAMENTI:** Sono forniti 2 set di collegamento intercambiabili, uno a morsetti fornito con il caricatore per caricare la batteria fuori dal veicolo, l'altro in opzione con occhielli in metallo per la connessione permanente ai poli, e un tappo di gomma. Questo set permette un facile e sicuro collegamento del caricatore per la manutenzione della batteria senza rimozione dal veicolo. Il tappo di gomma è progettato per proteggere il connettore dalla sporcizia e dall'umidità quando il caricatore non è collegato. Consultare un professionista per il collegamento degli occhielli metallici ai poli. Assicurare il connettore al tappo a tenuta stagna per evitare che possa interferire con parti smovibili del veicolo o che il cavo sia pizzicato o danneggiato da bordi taglienti. Il fusibile in linea nel set di collegamento a occhielli protegge la batteria da cortocircuiti accidentali fra i conduttori positivo e negativo. Sostituire i fusibili bruciati solo con fusibili nuovi similari di 15A.

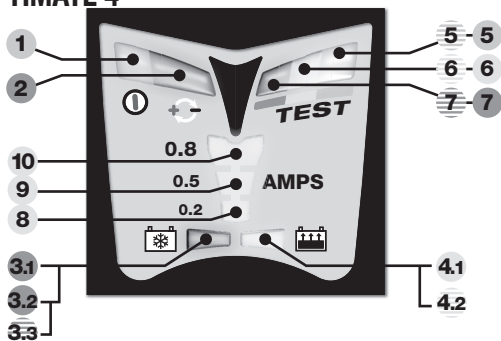
### CONNESSIONE DEL CARICABATTERIE ALLA BATTERIA

1. Scollegare l'alimentazione CA prima di effettuare o di eliminare i connessioni alla batteria.
2. Se si carica la batteria del veicolo con i morsetti, prima di effettuare le connessioni verificare possano essere posizionati in modo sicuro e protetto, distanti da cavi e tubi metallici circostanti o dal telaio. Eseguire le connessioni procedendo come segue: collegare innanzitutto il terminale della batteria non collegato al telaio (solitamente positivo), quindi collegare l'altro morsetto (solitamente negativo) al polo negativo, mantenendo le distanze dalla batteria e dalla linea del combustibile. Scollegare sempre nella sequenza contraria.
3. Quando si carica una batteria smontata dal veicolo utilizzando i morsetti della batteria, posizionare quest'ultima in una zona ben ventilata. Collegare il caricabatteria alla batteria: morsetto ROSSO a terminale POSITIVO (POS, P o +) e morsetto NERO al terminale NEGATIVO (NEG, N o -). Verificare che le connessioni siano salde e sicure. Un buon contatto è fondamentale.
4. **Se la batteria è molto scarica (e probabilmente solfaticata), rimuoverla dal veicolo e ispezionarla prima di collegare il caricabatteria per effettuare un tentativo di recupero.** Effettuare un'ispezione visiva della batteria per rilevare la presenza di eventuali difetti meccanici, quali una scatola curvata o incrinata, oppure segni di perdite di elettrolito. Se la batteria presenta tappi per riempimento e le placche nelle celle sono visibili dall'esterno, esaminare attentamente la batteria per cercare di stabilire se alcune celle hanno un aspetto diverso dalle altre (ad esempio, se presentano del materiale bianco tra le placche o se le placche sono in contatto tra loro). Qualora vengano rilevati difetti meccanici, non cercare di ricaricare le batterie, ma sottoporle a una verifica da parte di esperti.
5. **Se la batteria è nuova,** prima di procedere alla connessione del caricabatteria, leggere attentamente le istruzioni di sicurezza e di funzionamento del produttore della batteria. Ove necessario, attenersi scrupolosamente alle istruzioni di riempimento di acido.

IT

SICUREZZA

## UTILIZZARE OPTIMATE 4



**DUE PROGRAMMI:** OptiMate 4 comprende due programmi di caricamento. È possibile utilizzare solo un programma alla volta. I modelli selezionati di OptiMate 4 sono venduti con il programma 1 (STANDARD) o il programma 2 (CAN-bus) in configurazione predefinita.

**Programma 1 (STANDARD)** è il programma di carica normale per il collegamento diretto a una batteria in qualsiasi stato. Tutte le funzioni del programma sono attive, tra cui la modalità di desolfatazione Standard, TURBO e AD IMPULSI.

**Programma 2 (CAN-bus)** attiva automaticamente la presa 12 V su veicoli dotati di CAN-bus per caricare, testare e conservare la batteria quando il veicolo è in rimessa. **Le modalità di desolfatazione standard e TURBO ad alta tensione sono disattivate.** La modalità di desolfatazione AD IMPULSI a bassa tensione resta attiva per recuperare una batteria scarica che rimane collegata ai cavi del veicolo.

Il programma 2 può inoltre essere usato per caricare e conservare una batteria dentro e fuori dal veicolo *ma non è in grado di recuperare una batteria solfatata*. Per recuperare una batteria solfatata, selezionare il programma 1 e seguire le istruzioni presenti in **BATTERIE COMPLETAMENTE SCARICHE**.

**Indicazione programma** in mancanza di collegamento a un'uscita da 12 V o a una batteria.

STANDARD – solo il LED 1 di accensione resta attivo.

CAN-bus – il LED 1 DI ACCENSIONE resta attivo, mentre il LED 3 DI DESOLFATAZIONE e il LED 4 DI CARICA lampeggiano brevemente e simultaneamente a intervalli regolari.

### Per passare da un programma all'altro:

1. Scollegare il caricatore dall'alimentazione CA.
2. Collegare la clip negativa direttamente alla clip positiva.
3. Ricollegare il caricatore all'alimentazione di rete CA.
4. Osservare le seguenti indicazioni dei LED:

I LED 3+4+5+6+7 lampeggiano 12 volte durante la selezione del programma alternato (5x lentamente, 5x velocemente, 2x lentamente).

Una volta cambiato il programma, osservare le seguenti indicazioni (con le clip della batteria ancora collegate):

- Modifica da CAN-bus a STANDARD: solo il LED 1 DI ACCENSIONE resta attivo.
- Modifica da STANDARD a CAN-bus: i LED 3 e 4 lampeggiano simultaneamente a intervalli regolari, seguiti immediatamente dal LED 8.

5. Scollegare le clip della batteria. OptiMate 4 è pronto a caricare una batteria in base al programma selezionato.

## INIZIO DI CARICA

**LED 1 DI ACCENSIONE** - Questo LED conferma l'alimentazione CA al caricabatterie.

**PROTEZIONE DA INVERSIONE DI POLARITÀ: LED 2** - si accende quando i collegamenti della batteria non sono stati effettuati correttamente. Il caricatore è protetto elettronicamente per cui non sarà danneggiato, e rimarrà disattivato fino ripristino dei collegamenti corretti.

**BARRA CORRENTE DI CARICA: LED 8, 9, 10** - si accendono quando sono premuti o quando viene consegnata corrente continua alla batteria.

Indicatori del livello di corrente: LED 8: 0,2 A LED 8+9: 0,5 A LED 8+9 +10: 0,8 A

## PROGRAMMA 1 - STANDARD

**BATTERIE COMPLETAMENTE SCARICHE:** se la batteria è completamente scarica (ed eventualmente solfatata), rimuoverla dal veicolo e ispezionarla prima di collegare il caricatore per effettuare un tentativo di recupero.

La modalità di recupero **TURBO** non può essere attivata in caso di una batteria ancora collegata al circuito di cablaggio di un veicolo che sempre offre una resistenza elettrica inferiore rispetto alla batteria stessa. Tuttavia, in caso di mancata rimozione della batteria completamente scarica per effettuare il recupero; purtroppo, la batteria e l'impianto elettronico del veicolo non possono subire nessun danno.

**Prestare particolare attenzione a quanto segue, particolarmente importante per batterie relativamente piccole come quelle utilizzate nei motocicli, trattorini, jet-ski, snowmobile e simili:** una batteria lasciata molto scarica per un lungo periodo può sviluppare danni permanenti in una o più celle. Tali batterie potrebbero surriscaldarsi sotto carica ad alta tensione. Arrestare immediatamente il caricamento di qualsiasi batteria che risulti surriscaldata al tatto.

Sorvegliare la temperatura della batteria durante la prima ora, e a ogni ora successiva. Prestare attenzione a segnali insoliti: bolle o perdita di elettrolito, attività più intensa in una cella rispetto alle altre, sibili. In qualsiasi momento, se la batteria risulta troppo calda al tatto o se si notano segnali insoliti, **SCOLLEGARE IMMEDIATAMENTE IL CARICATORE.**

### TEST DI PREQUALIFICAZIONE: LED 5 / 6 / 7

**I LED DI TEST 5/6/7 indicano lo stato della batteria prima del caricamento. Il caricamento inizia dopo 10 secondi.**

Consultare la tabella **"ALLERTA IMMEDIATA DI PROBLEMI ALLA BATTERIA"** a pag. 2 (figura 2) per le indicazioni dei LED DI TEST. **LED 7 (rosso) lampeggiante:** OptiMate 4 sta inviando un segnale di test per verificare se la batteria è recuperabile. Quando l'indicazione rimane fissa per un massimo di 10 secondi, inizia il caricamento. Se il lampeggiamento continua, la batteria non può essere recuperata correttamente.

### RECUPERO / DESOLFATAZIONE: LED 3

Questa modalità viene attivata in caso di accensione del LED 7 (rosso) o del LED 6 (giallo) durante la prequalificazione, oppure in caso di accensione di entrambi. Il programma determinerà la modalità di caricamento corretta. Tempo di carica: minimo 15 minuti, massimo 2 ore.

**Recupero STANDARD per batterie trascurate - LED 3 fisso:** 16 V max. con corrente fino a 0,2 A.

**Recupero STANDARD per batterie trascurate - LED 3 fisso:** 16 V max. con corrente fino a 0,2 A. Se la batteria non è in grado di sopportare una carica, dopo 5 secondi viene attivato il recupero TURBO. Le batterie in grado di sopportare una corrente di carica da 0,2 A passano al recupero AD IMPULSI.

**Recupero TURBO per batterie seriamente trascurate - LED 3 lampeggiante:** la tensione di uscita aumenta fino a un massimo di 22 V con corrente limitata a 0,2 A.

**Recupero AD IMPULSI - ultimi 15 minuti - LED 3 luce fissa:** viene consegnata corrente AD IMPULSI da 0,8 A max. per preparare la batteria a sopportare una carica normale. Questa modalità è particolarmente efficace per il recupero di batterie AGM cicliche o al piombo puro ad alte prestazioni / attivate in fabbrica.

### CARICA: LED 4

**Carica A CORRENTE COSTANTE - LED 4 luce fissa:** la batteria riceve una carica di corrente costante da 0,8 A fino a 14,2 - 14,4 V.

**Carica FINALE - LED 4 lampeggiante:** fase di assorbimento AD IMPULSI. La corrente viene consegnata AD IMPULSI, con variazioni comprese tra 0,2 e 0,8 A e fino a una tensione di 14,2 - 14,4 V, per completare la carica della batteria nel minor tempo possibile. Fase di verifica: quando la richiesta di corrente è inferiore a 0,2 A, la tensione di caricamento è limitata a 13,6 V mentre il livello di carica della batteria è sottoposto a verifica. Se la batteria richiede un ulteriore caricamento, il programma viene commutato sull'assorbimento AD IMPULSI. Se la batteria ha sopportato tutta la carica che la sua condizione di base le consente, segue la fase di mantenimento della tensione.

**NOTA:** per motivi di sicurezza, il limite di tempo di carica totale è di 48 ore.

### TEST DI MANTENIMENTO DELLA TENSIONE: LED 5 lampeggiante

La consegna di corrente alla batteria viene interrotta per 30 minuti per consentire al programma di determinare la capacità della batteria di mantenere la carica. Se le batterie si trovano in buono stato, il LED 5 (verde) dovrebbe continuare a lampeggiare per tutto il periodo di 30 minuti. Consultare la tabella **"ALLERTA IMMEDIATA DI PROBLEMI ALLA BATTERIA"** a pag. 2 per gli indicatori LED diversi dal 5 (verde). Se la batteria non è in grado di mantenere una carica sufficiente per il periodo di test di 30 minuti, il problema è grave. Leggere la sezione NOTE SUI RISULTATI DEI TEST per comprendere le ragioni che hanno determinato risultati scarsi o per sapere come testare una batteria che produce un risultato corretto ma che non è in grado di consegnare sufficiente energia una volta riutilizzata.

### CARICA DI MANTENIMENTO: LED 5 / 6 / 7 luce fissa

Il circuito consegna corrente alla batteria per 30 minuti entro un limite di tensione sicuro di 13,6 V mentre viene visualizzato il risultato del test di mantenimento della tensione. Consultare la tabella **"ALLERTA IMMEDIATA DI PROBLEMI ALLA BATTERIA"** a pag. 2 per gli indicatori LED diversi dal 5 (verde). Seguono periodi di mantenimento della carica tampone di 30 minuti alternati a periodi di TEST DI MANTENIMENTO DELLA TENSIONE di 30 minuti, fino allo scollegamento della batteria. È possibile trovare una descrizione dettagliata del ciclo di mantenimento automatico per la conservazione a lungo termine della batteria nella sezione **MANTENIMENTO AUTOMATICO DELLA BATTERIA.**

## PROGRAMMA 2 - CAN-bus

**IMPORTANTE:** le modalità CARICA DI RECUPERO e STANDARD ad alta tensione sono disattivate. Questo programma è stato concepito per caricare, testare e conservare per lunghi periodi le batterie montate su veicoli dotati di CAN-bus.

**RACCOMANDAZIONE:** caricare usando la presa 12 V della moto con l'apposito accessorio 0-2 (connettore di uscita da 12 V per presa auto e DIN) o 0-9 (connettore DIN da 12 V esteso).

### INDICATORI LED PRIMA DEL COLLEGAMENTO ALLA BATTERIA:

**LED 3+4 lampeggianti:** il programma sta inviando un segnale per rilevare e attivare la presa 12 V controllata da CAN-bus.

**LED 3+4+5+6+7 lampeggianti:** è stato rilevato un cortocircuito nei terminali di uscita, oppure il LED 2 (POLARITÀ INVERSA) sta indicando un errore nei collegamenti della batteria. Il caricatore è dotato di protezione elettronica, pertanto non può subire danni. L'uscita resta disabilitata fino alla correzione dell'errore di collegamento.

### TEST DI PREQUALIFICAZIONE: LED 5 / 6 / 7

I LED DI TEST 5/6/7 indicano la corretta attivazione della presa 12 V controllata da CAN-bus e lo stato della batteria prima della carica, che si inizia dopo 10 secondi. Consultare la tabella "ALLERTA IMMEDIATA DI PROBLEMI ALLA BATTERIA" a pag. 2 (figura 2) per le indicazioni dei LED DI TEST.

**NOTA:** la mancata attivazione può essere dovuta a una delle seguenti cause: è stato selezionato il programma 1 / collegamento incorretto alla presa 12 V della moto / la carica della batteria è troppo bassa per poter alimentare il sistema CAN-bus / programmazione non aggiornata di CAN-bus sul veicolo - rivolgersi al fabbricante del veicolo

### RECUPERO / DESOLFATAZIONE: LED 3

Questa modalità viene attivata in caso di accensione del LED 7 (rosso) o del LED 6 (giallo) durante la prequalificazione, oppure in caso di accensione di entrambi. Il programma CAN-bus può selezionare solo la modalità di recupero AD IMPULSI a bassa tensione. Tempo di carica: 15 minuti.

**Recupero AD IMPULSI - LED 3 luce fissa:** viene consegnata corrente AD IMPULSI da 0,8 A per preparare la batteria a sopportare la carica di corrente completa.

### CARICA: LED 4

**Carica A CORRENTE COSTANTE - LED 4 luce fissa:** la batteria riceve una corrente costante da 0,8 A a 14,2 -14,4 V.

**Carica FINALE - LED 4 lampeggiante:** fase di assorbimento a impulsi. La corrente viene consegnata con impulsi, con variazioni comprese tra 0,2 e 0,8 A e fino a una tensione di 14,2 - 14,4 V, per completare la carica della batteria nel minor tempo possibile. Fase di verifica: quando la richiesta di corrente è inferiore a 0,2 A, la tensione di caricamento è limitata a 13,6 V mentre il livello di carica della batteria è sottoposto a verifica.

Se la batteria richiede un ulteriore caricamento, il programma viene commutato sull'assorbimento a impulsi.

Se la batteria ha sopportato tutta la carica che la sua condizione di base le consente, segue la fase di mantenimento della tensione.

**NOTA 1:** il programma si reimposta automaticamente 2 minuti dopo lo scollegamento manuale o se il sistema CAN-bus ha disattivato la presa 12 V controllata e il programma non la riattiva entro 2 minuti.

**NOTA 2:** per motivi di sicurezza esiste un limite complessivo nel tempo di carica di 48 ore.

### TEST DI RITENZIONE DELLA CARICA: LED 5 lampeggiante

La consegna della corrente alla batteria viene interrotta per 30 minuti per determinare la capacità della batteria di mantenere la carica. Ciò fa sì che il sistema CAN-bus disattivi la presa 12 V entro il limite di tempo impostato, scollegando la batteria dal caricatore. Al termine del periodo di test, il programma attiva nuovamente la presa della moto 12 V controllata dal CAN-bus per misurare la tensione della batteria e quindi procedere alla CARICA DI MANTENIMENTO, durante la quale verrà visualizzato il risultato del test. Vedere la tabella "ALLERTA IMMEDIATA DI PROBLEMI ALLA BATTERIA" a pag. 2 per gli indicatori LED.

Leggere la sezione NOTE SUI RISULTATI DEI TEST in caso di risultati scarsi o per testare una batteria il cui risultato è corretto ma che non è in grado di consegnare sufficiente energia una volta riutilizzata. **NOTA:** se durante il test il caricatore viene scollegato manualmente dall'uscita da 12 V o dalla batteria, non verrà reimpostato automaticamente fino al termine del periodo di test.

### CARICA DI MANTENIMENTO: LED 5 / 6 / 7 luce fissa

Il circuito consegna corrente alla batteria per 30 minuti entro un limite di tensione sicuro di 13,6 V mentre viene visualizzato il risultato del test di ritenzione della tensione. Seguono periodi di mantenimento della di 30 minuti alternati a periodi di TEST DI RITENZIONE DELLA CARICA di 30 minuti, fino allo scollegamento della batteria. È possibile trovare una descrizione più dettagliata del ciclo di mantenimento automatico per la conservazione a lungo termine della batteria nella sezione MANTENIMENTO AUTOMATICO DELLA BATTERIA.

**NOTA 1:** il programma si reimposta automaticamente 2 minuti dopo lo scollegamento manuale o se il programma CAN-bus ha disattivato la presa 12 V della moto ed il programma non la riattiva entro 2 minuti.

## NOTE SUI RISULTATI DEL TEST:

1. In caso di risultati diversi da #5 verde, scollegare la batteria dall'impianto elettrico che supporta, e ricollegare l'OptiMate. Se a questo punto si ottiene un risultato migliore, questo indica che le perdite di energia sono parzialmente dovute a un problema di impianto elettrico e non di batteria. Se i risultati negativi persistono, si consiglia di portare la batteria in un'officina dotata di tester professionali per un esame più approfondito.
2. Durante il ciclo di carica di mantenimento il risultato del TEST continuerà a essere visualizzato fino alla ripetizione del ciclo TEST e MANTENIMENTO. Qualora la diminuzione di tensione fosse dovuta a una domanda di corrente dalla batteria di natura temporanea, l'indicazione LED può tornare a un livello migliore.
3. Se il LED 7 rosso si accende da solo o se il LED 6 giallo e il LED 7 rosso si accendono simultaneamente, si è in presenza di un problema grave. LED rosso / LED giallo+rosso #6 e 7, (o LED #6 giallo da solo per le batterie sigillate) significa che dopo essere stata caricata la batteria non rimane in tensione o che nonostante i tentativi fatti la batteria è irrecuperabile. Potrebbe trattarsi di un difetto della batteria stessa, tipo una cella in corto circuito o in solfatazione totale, o, nel caso di una batteria ancora collegata all'impianto elettrico che alimenta, il LED rosso #9 potrebbe segnalare una perdita di corrente dovuta a deterioramento dei cavi o di un interruttore o contatto, o ad accessori con ad elevato consumo. Anche un consumo improvviso dovuto ad esempio all'accensione dei fari mentre il caricatore è collegato può dare adito a una significativa diminuzione della tensione della batteria.
4. RISULTATO DEL TEST CORRETTO ma la batteria non produce sufficiente energia: i danni permanenti al suo interno potrebbero causare un'eccessiva autoscarica (determinata dalla batteria stessa; anche una batteria parzialmente danneggiata potrebbe inizialmente trattenere energia sufficiente, per poi perderla più velocemente del normale). Scollegare la batteria dall' OptiMate. Attendere almeno 12 ore, quindi ricollegarla e osservare il risultato del TEST DI PREQUALIFICAZIONE.

**MANTENIMENTO AUTOMATICO DELLA BATTERIA:** Il CICLO DI CARICA DI MANTENIMENTO consiste in 30 minuti di periodi di carica di mantenimento seguiti e alternati con periodi di 30 minuti di "riposo" durante i quali non vi è corrente di carica. Questo "ciclo di lavoro al 50%" previene la perdita di elettrolito nelle batterie sigillate e minimizza la graduale perdita d'acqua dall'elettrolito nelle batterie con tappi di riempimento, contribuendo così notevolmente a ottimizzare la vita di servizio delle batterie utilizzate irregolarmente e su base stagionale. Il circuito trasmette corrente alla batteria entro un limite di sicurezza di 13,6V ("carica di mantenimento"), permettendole di assorbire la corrente necessaria per sostenerla alla carica massima (o quasi) e compensare eventuali piccoli carichi elettrici imposti dagli accessori del veicolo o dal computer di bordo, o dal naturale scaricamento graduale della batteria stessa.

**Mantenimento di una batteria per periodi prolungati:** L'OptiMate manterrà una batteria di cui lo stato di base è buono, senza rischio durante parecchi mesi.

Verificare almeno ogni due settimane che i collegamenti fra il caricatore e la batteria siano sicuri e, nel caso di batterie con tappi di riempimento per ogni cella, scollegare la batteria dal caricatore, controllare il livello dell'elettrolito, e se necessario rimboccare (**con acqua distillata, NON acido**), quindi ricollegare. Nel manipolare le batterie o in vicinanza di esse, rispettare sempre le AVVERTENZE DI SICUREZZA sopra riportate.

## Tempi di carica

Il tempo minimo necessario a OptiMate 4 per completare un ciclo di caricamento e test e fornire un risultato, anche per una batteria completamente carica, è di 45 minuti. Il tempo di caricamento di una batteria scarica ma non danneggiata è comparabile al valore di capacità nominale in Ah di quella batteria, per cui una batteria da 20Ah non dovrebbe richiedere più di 20 ore per completare il controllo dell'auto-scarica (§ 5). Per le batterie estremamente scariche i tempi potrebbero essere significativamente superiori. Se si utilizza OptiMate 4 su una batteria per automobile di grande capacità molto scarica, il limite di sicurezza di 48 ore potrebbe non essere sufficiente per una carica completa, occorrerà pertanto seguire la procedura di riavvio descritta qui sotto.

## Reimpostazione del ciclo di carica o di test

Scollegare dall'alimentazione di rete CA. Attendere che il LED 1 DI ACCENSIONE si spenga. Quando ci si ricollega all'alimentazione di rete CA, tutti i LED eccetto i numeri 1, 2, 8, 9 e 10 lampeggiano due volte per confermare l'integrità del microprocessore, indipendentemente dal fatto che il caricatore rimanga collegato o no alla batteria.

## GARANZIA LIMITATA

TecMate (International) S.A., Sint-Truidensesteenweg 252, B-3300 Tienen, Belgio riconosce questa garanzia limitata agli acquirenti originali al dettaglio di questo strumento. Questa garanzia limitata non è trasferibile. TecMate (International) garantisce il caricabatterie per tre anni dalla data di acquisto al dettaglio contro difetti di materiale o di manodopera. Se tali difetti fossero riscontrati lo strumento sarà riparato o sostituito a discrezione dell'Azienda. Sarà obbligo dell'acquirente rispedire lo strumento, a proprie spese e cura, con il tagliando di acquisto (vede "NOTA"), al produttore o al distributore autorizzato. Questa garanzia limitata è nulla se il prodotto è maltrattato o usato male, soggetto ad incuria nel utilizzo, o riparato da chiunque esclusi il produttore o il distributore autorizzato. Il produttore non riconosce altre garanzie se non questa limitata garanzia ed esclude espressamente ogni implicata garanzia che includa garanzie per conseguenti danneggiamenti.

**QUESTA È LA SOLA ED ESPRESSAMENTE LIMITATA GARANZIA E L'AZIENDA PRODUTTRICE NE ASSUME NE AUTORIZZA ALCUNO AD ASSUMERE O FARE ALTRE CONCESSIONI CHE RIGUARDINO IL PRODUTTORE, DIVERSAMENTE DA QUESTA. I VOSTRI DIRITTI STATUTARI NON SONO COMMOVENTI.**

NOTA: Vede [www.tecmate.com/warranty](http://www.tecmate.com/warranty) o contattate [warranty@tecmate.com](mailto:warranty@tecmate.com)

copyright © 2012 TecMate International

OptiMate 4 ed i nomi degli altri apparecchi citati in questo testo come BatteryMate, TestMate e TestMate mini, sono marchi registrati di TecMate International SA.

Si può trovare più informazione sui prodotti di TecMate da [www.tecmate.com](http://www.tecmate.com).

# Optimate™ 4

## AUTOMATISK LADDARE MED DIAGNOSFUNKTION FÖR 12 V BLY/SYRA-BATTERIER FRÅN 3Ah - 50Ah, SOM BLAND ANNAT I:



**ANVÄND INTE MED NiCd-, NiMH-, Li-Ion- ELLER EJ UPPLADNINGSBARA BATTERIER.**

Försörjning: 220-240 V ~ max 0,095A. Högsta utmatningsström: 0,8A.

### VIKTIGT: LÄS NEDANSTÅENDE ANVISNINGAR INNAN DU BÖRJAR ANVÄNDA LADDAREN

Den här apparaten ska inte användas av personer (inklusive barn) med nedsatt fysisk, sensorisk eller mental förmåga, eller personer som saknar erfarenhet och kunskap, såvida de inte hålls under uppsikt eller instrueras om hur apparaten används av en person som ansvarar för deras säkerhet. Håll barn under uppsikt för att se till att de inte leker med apparaten.

**SÄKERHETS FÖRESKRIFTER och ANMÄRKNINGAR:** Batterier avger explosiva gaser – undvik öppen låga eller gnistor i närheten av batterier. Koppla från nätströmförsörjningen innan du upprättar eller avbryter likströms- eller batterianslutning. Batterisyra är starkt frätande. Använd skyddskläder och ögonskydd och undvik kontakt. Skölj omedelbart med tvål och vatten vid kontakt av misstag. Kontrollera att batteriets poler inte är lösa. Låt granska batteriet av en fackman om så är fallet. Rengör batteripolerna med en kopparborste om de är korroderade. Rengör dem med en trasa fuktad med rengöringsmedel om det är fett eller smuts på dem. Använd laddaren endast om in- och utgående sladdar och kontaktdon är i gott och oskadat skick. Är den ingående sladden skadad måste den för att undvika skada snarast bytas av tillverkaren, av denne godkänd underhållspersonal eller av behörig verkstad. Skydda laddaren från syra och syraångor och från fukt och fuktiga förhållanden, såväl under bruk som under förvaring. Skada som uppstår på grund av korrosion, oxidering eller inre kortslutning täcks inte av garantin. Undvik förorening genom eller exponering för syra och syraångor genom att hålla laddaren på avstånd från batteriet under laddning. Ställ laddaren på en fast plan yta, men INTE på plast, textil eller läder, om den används vågrätt. Använd de fästhål som finns i botten av omslutningen för att fästa laddaren vid lämplig lodrät yta.

**EXPONERING FÖR VÄTSKOR:** När denna laddare placeras på en plan yta eller väggmonteras är den konstruerad för att förhindra skador på elektroniska styrkretsar på grund av att vätska av misstag spills eller stänks på höljet uppfifrån. Fel på laddaren på grund av oxidation på det elektroniska styrkortet till följd av att vätska eventuellt trängt in i de elektroniska komponenterna täcks inte av garantin. Exponera aldrig kontaktdon eller kontakter för regn eller snö.

**BATTERIANSLUTNINGAR:** Det finns två utbytbara uppsättningar anslutningar. Med batteriet levereras en uppsättning batteriklämmor för att ladda batteriet utanför fordonet. Med den extra anslutningsuppsättningen följer ögleklämmor av metall för bestående anslutning till batteripolerna och ett återförlutbart vattentätt lock till kontaktdonet som ansluts till laddarens utgångskabel. Denna uppsättning anslutningar gör det möjligt att enkelt och säkert ansluta laddaren och ha batteriet kvar i fordonet. Det återförlutbara vattentäta locket är konstruerat för att skydda kontaktdonet från smuts och fukt när laddaren inte är ansluten. Samråd med en fackman för att få hjälp med att ansluta metallöglorna till batteripolerna. Fäst kontaktdonet med det vattentäta locket så att det inte kan komma i vägen för någon rörlig del i fordonet eller klämmas fast eller skadas av skarpa kanter. Den integrerade säkringen i ögleanslutningen skyddar batteriet mot kortslutning av misstag genom att batteriets positiva och negativa poler kommer i kontakt med varandra. Säkring som har löst ut ska bytas mot motsvarande ny säkring märkt 15 A.

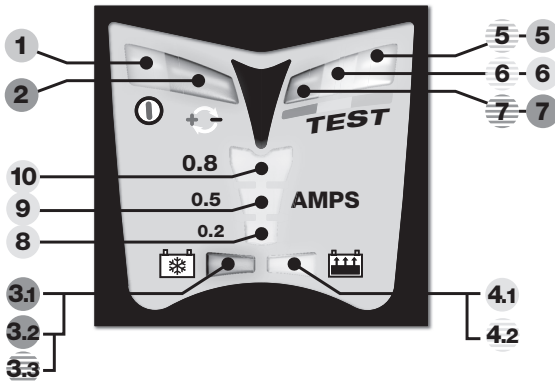
### ANSLUTA LADDAREN TILL BATTERIET

1. Koppla ifrån spänningsförsörjningen (växelström) innan du ansluter eller lossar likströms- eller batterianslutningar.
2. När ett batteri laddas i fordonet med batterikablar, måste du innan du ansluter, kontrollera att batteriklämmorna kan placeras säkert och att de inte vidrör omkringliggande ledningar, metallrör eller chassiet. Anslut i följande ordning: Anslut först till den batteriklämma som inte är ansluten (normalt positiv), anslut sedan den andra batteriklämma (normalt negativ) till chassiet på ett tillräckligt avstånd från batteriet och bränsleledningar. Lossa alltid anslutningarna i motsatt ordningsföljd.
3. När ett batteri ska laddas utanför fordonet med batteriklämmorna måste det placeras i ett utrymme med god ventilation. Anslut laddaren till batteriet: Anslut den RÖDA klämman till PLUS-polen (POS, P eller +) och den SVARTA klämman till MINUS-polen (NEG, N eller -). Kontrollera att anslutningarna sitter korrekt och säkert. God kontakt är viktigt.
4. Om batteriet är djupurladdat (och eventuellt sulfaterat) måste det demonteras ur fordonet och kontrolleras, innan det ansluts till laddaren för återhämtning. Kontrollera batteriet visuellt för att upptäcka mekaniska defekter som utbuktningar eller sprickor samt tecken på elektrolytläckor. Om batteriet har påfyllningslock och man kan se plattorna i cellerna utanifrån måste batteriet undersökas noga för att avgöra om någon cell verkar annorlunda än de andra (t.ex. vitt material mellan plattorna, plattorna rör vid varandra). Ladda inte batteriet om det är mekaniskt skadat. Låt en fackhandlare kontrollera det.
5. Om batteriet är nytt: Läs batteritillverkarens instruktioner om säkerhet och drift noga innan laddaren ansluts till batteriet. Läs och följ instruktionerna för påfyllning av syra (om tillämpligt).

SV

SÄKERHET

## SÅ HÄR ANVÄNDER DU OPTIMATE 4



**DUBBLA PROGRAM:** OptiMate 4 är utrustad med två olika laddningsprogram. Det går enbart att använda ett program i taget. Vissa OptiMate 4-modeller levereras med program 1 (STANDARD) eller program 2 (CAN-bus) som standardinställning.

**Program 1 (STANDARD)** är det vanligaste laddningsprogrammet för anslutning till ett batteri i vilket skick som helst. Alla programfunktioner är aktiva, inklusive lägena Standard, TURBO- och PULS-avsulfatering.

**Program 2 (CAN-bus)** aktiverar automatiskt en 12 V-utgång på fordon utrustade med CAN-bus, för laddning, test och underhåll av batteriet när fordonet står i förvaring. Lägena Standard och TURBO-avsulfatering med hög spänning är inaktiverade. Läget PULS-avsulfatering med låg spänning förblir aktivt för att återställa ett urladdat batteri som är anslutet till fordonets elsystem.

Program 2 kan även användas för direkt laddning och för att underhålla ett batteri i eller utanför fordonet. *Programmet kan dock inte återställa ett sulfaterat batteri.* För att återställa ett sulfaterat batteri väljer du program 1 och följer instruktionerna i avsnitt **URLADDADE OCH SKADADE BATTERIER.**

**Programindikering** när enheten ej är ansluten till en 12 V-utgång eller batteri.

STANDARD – endast strömdiode LED #1 lyser.

CAN-bus – LED #1 (ström) lyser och LED #3 (avsulfatering) och LED #4 (laddning) blinkar regelbundet i jämna intervaller.

**Så här gör du för att byta till ett annat program:**

1. Koppla från strömmen till laddaren.
2. Sätt fast batteriklämmorna på laddaren och anslut den negativa klämman direkt på den positiva klämman.
3. Koppla på strömmen till laddaren.
4. Observera följande LED-indikeringar:
  - LED #3, 4, 5, 6 och 7 blinkar 12 gånger vid val av det alternerande programmet (5 långsamma, 5 snabba och 2 långsamma).
  - Efter att programmet har ändrats kan följande indikering observeras (med batteriklämmorna fortfarande anslutna till varandra):
    - Ändrad från CAN-bus till STANDARD: Endast LED #1 lyser.
    - Ändrad från STANDARD till CAN-bus: LED #3 och LED #4 blinkar tillsammans i regelbundna intervaller och LED #8 börjar blinka direkt efter.
5. Koppla från batteriklämmorna. OptiMate 4 är klar för att ladda batterier enligt det valda programmet.

## GÅ VIDARE TILL LADDNING

**STRÖM PÅ: LED #1** - Denna lysdiode bekräftar AC-strömförsörjning till laddaren.

**SKYDD MOT OMVÄND POLARITET: LED #2** - Lyser om batterianslutningarna är felvända. Laddaren är elektroniskt skyddad och utmatningen är avstängd till anslutningarna rättas till.

**LADDNINGSTAPEL: LED #8, 9 och 10** - Lyser när pulsström eller konstant ström laddas till batteriet.

Strömnivåindikeringar: LED #8: 0,2 A LED #8+9: 0,5 A LED #8+9+10: 0,8 A



## PROGRAM 1 - STANDARD

**URLADDADE OCH SKADADE BATTERIER:** Om batteriet är djupurladdat (och eventuellt sulfaterat) måste det demonteras ur fordonet och kontrolleras innan det ansluts till laddaren för återställning.

Laddarens **TURBO**-återställningsläge kan inte aktiveras om det känner av att batteriet fortfarande är anslutet till ett fordons elkrets. Denna elkrets ger nämligen ett lägre elektriskt motstånd än batteriets elkrets. Om det djupurladdade batteriet inte tas bort innan återställningen, kommer alltså varken batteri eller fordonets elektronik att skadas.

### FÖRBEDÖMNINGSTEST: LEDS #5, 6 och 7

**TEST-LED #5, 6 och 7** indikerar skicket på batteriet innan laddning. Laddningen startar efter 10 sekunder.

Mer information finns i tabellen "TIDIG VARNING FÖR BATTERIPROBLEM" på sidan 2 (bild 2) om TEST LED-indikeringar.

LED #7 (röd) blinkar: OptiMate 4 skickar en testsignal för att se om batteriet går att återställa. När indikatorn lyser fast i mer än 10 sekunder, startar laddningen. Om blinkandet fortsätter, kan batteriet inte återställas helt.

### ÅTERSTÄLLNING/AVSULFATERING: LED #3

Det här läget aktiveras om LED #7 (röd) lyser, LED #6 (gul) lyser eller om båda lyser samtidigt vid förbedömning. Programmet avgör korrekt laddningsläge. Laddningstid: Minst 15 minuter, maximalt 2 timmar.

**STANDARD-återställning för skadade batterier - LED #3 lyser:** Upp till 16 V med begränsad ström till 0,2 A appliceras. **TURBO**-återställningen startar efter 5 sekunder om batteriet inte kan laddas. Batterier på laddning upp till 0,2 A kommer att fortsätta till PULS-återställning.

**TURBO-återställning för mycket dåliga batterier - LED #3 blinkar:** Utgångsspänningen ökar till maximalt 22 V med en strömgräns på 0,2 A.

**PULS-återställning - sista 15 minuterna - LED #3 lyser:** Ström upp till 0,8 A levereras i puls för att förbereda batteriet för att kunna ta normal laddning. *Det här läget är speciellt effektivt för återställning av fabriksaktiverade/hög prestanda-batterier av bly eller cykliska cell AGM-batterier.*

### LADDNING: LED #4

**BULK-laddning - LED #4 lyser:** En konstant ström på 0,8 A upp till en spänning på 14,2 - 14,4 V levereras till batteriet.

**SLUTLIG laddning - LED #4 blinkar:** Pulsande absorptionssteg: Strömmen levereras i pulser mellan 0,2 och 0,8 A och upp till en spänning på 14,2 - 14,4 V, för att batteriet ska laddas fullt på kortast möjliga tid. Verifikationssteg: När strömkravet är mindre än 0,2 A är laddningsspänningen nu begränsad till 13,6 V medan batteriets laddningsnivå verifieras.

Om batteriet kräver mer laddning, kommer programmet att återgå till pulsande absorption.

Om batteriet har laddats så mycket som dess grundläggande skick tillåter, fortsätter retentionsstegen.

OBS! Av säkerhetsskäl finns det en laddningsgräns på 48 timmar.

### TEST AV LADDNINGSGRAD: LED #5 blinkar

Leverans av strömmen till batteriet avbryts i 30 minuter för att programmet ska kunna avgöra batteriets förmåga att behålla laddning. För batterier i gott skick ska LED #5 (grön) blinka hela perioden på 30 minuter. Läs mer i tabellen "TIDIG VARNING FÖR BATTERIPROBLEM" på sidan 2 om andra LED-indikeringar än LED #5 (grön). Ett allvarligt problem föreligger om batteriet inte kan ta emot tillräckligt med laddning under testperioden på 30 minuter. Läs i avsnittet TESTRESULTAT om du fått dåliga testresultat eller om hur du testar ett batteri som får ett godkänt testresultat men inte kan leverera tillräckligt med ström.

### UNDERHÅLLSLADDNING: LED #5, 6 och 7 lyser

I 30 minuter kan kretsen ge ström till batteriet inom en säker spänningsgräns på 13,6 V samtidigt som resultatet från test av laddningsgrad visas. Läs mer i tabellen "TIDIG VARNING FÖR BATTERIPROBLEM" på sidan 2 om andra LED-indikeringar än LED #5 (grön). Den flytande underhållsladdningen på 30 minuter växlar med test av laddningsgrad i 30 minuter tills batteriet kopplas från. En mer detaljerad beskrivning av den automatiska underhållsrytmen för batteriförvaring hittar du i avsnittet AUTOMATISKT BATTERIUNDERHÅLL.



## PROGRAM 2 - CAN-bus

**VIKTIGT:** Högspanningsläget STANDARD och ÅTERSTÄLLINGS-laddningsläget är inaktiva. Det här programmet är utformat för laddning, testning och långsiktigt förvaringsunderhåll av batterier som är monterade i fordon med CAN-bus.

REKOMMENDERAS: Ladda via 12 V-utgången med lämplig 0-2 (12 V-utgångskontakt för auto eller DIN-uttag) eller 0-9 (förlängd 12 V DIN-kontakt).

### LED-INDIKERINGAR FÖRE ANSLUTNING TILL BATTERIET:

**LED #3+4 blinkar:** Programmet skickar en signal för att registrera och aktivera en CAN-bus-styrd 12 V-utgång.

**LED #3, 4, 5, 6 och 7 blinkar:** En kortslutning har registrerats vid utgångsplintarna, eller LED #2 (OMVÄND POLARITET) indikerar att batterianslutningarna är felaktiga. Laddaren är skyddad så tillståndet kommer inte resultera i några skador och utgången förblir inaktiverad tills anslutningarna är korrigerade.

### FÖRBEDÖMNINGSTEST: LED #5, 6 och 7

**TEST-LED #5, 6 och 7 indikerar lyckad aktivering av den CAN-bus-styrda 12 V-utgången och skicket på batteriet innan laddning. Laddning startar efter 10 sekunder.** Mer information finns i tabellen "TIDIG VARNING FÖR BATTERIPROBLEM" på sidan 2 (bild 2) om TEST LED-indikeringar.

**OBS!** Icke-aktivitet kan ha orsakats av något av följande: Program 1 är valt/dålig kontakt till 12 V-utgången. Batteriet är för svagt för att ge ström åt CAN-bus. Uppdaterat CAN-bus-program på fordonet - rådfråga fordonets tillverkare.

### ÅTERSTÄLLNING/AVSULFATERING: LED #3

Det här läget aktiveras om LED #7 (röd) lyser, LED #6 (gul) lyser eller om båda lyser samtidigt vid förbedömning. CAN-bus-programmet kan endast välja PULS-återställningsläge med låg spänning. Laddningstid: 15 minuter.

**PULS-återställning - LED #3 lyser:** Ström upp till 0,8 A levereras pulsannde för att förbereda batteriet på att ta emot full strömladdning.

### LADDNING: LED #4

**BULK-laddning - LED #4 lyser:** En konstant ström på 0,8 A upp till en spänning på 14,2 -14,4 V levereras till batteriet.

**SLUTLIG laddning - LED #4 blinkar:** Pulsande absorptionssteg: Strömmen levereras i pulser mellan 0,2 och 0,8 A och upp till en spänning på 14,2 - 14,4 V, för att batteriet ska laddas fullt på kortast möjliga tid. Verifikationssteg: När strömkravet är mindre än 0,2 A är laddningsspänningen nu begränsad till 13,6 V medan batteriets laddningsnivå verifieras.

Om batteriet kräver mer laddning, kommer programmet att återgå till pulsannde absorption. Om batteriet har laddats så mycket som dess grundläggande skick tillåter, fortsätter retentionsstegen.

**OBS 1:** Programmet kommer automatiskt att återställas 2 minuter efter manuell fränkoppling eller om CAN-bus-systemet har inaktiverat 12 V-utgången och programmet inte aktiveras inom 2 minuter.

**OBS 2:** Av säkerhetsskäl finns det en övre laddningsgräns på 48 timmar.

### TEST AV LADDNINGSGRAD: LED #5 blinkar

Leveransen av ström till batteriet avbryts i 30 minuter för att avgöra batteriets förmåga att behålla laddning. Detta gör att CAN-bus-systemet inaktiverar 12 V-utgången efter den inställda tidsgränsen och kopplar ur batteriet från laddaren. I slutet av testperioden kommer programmet att aktivera 12 V-utgången för att mäta batteriets spänning för att sedan fortsätta till UNDERHÅLLSLADDNING, då även testresultatet visas.

Läs mer i tabellen "TIDIG VARNING FÖR BATTERIPROBLEM" på sidan 2 om LED-indikeringar. Läs avsnittet TESTRESULTAT om du fått ett icke godkänt testresultat eller om hur du kan testa ett batteri som blir godkänt men inte ger tillräckligt med ström.

**OBS!** Om laddaren kopplas från 12 V-utgången eller batteriet manuellt under testperioden, kommer det inte automatiskt återställas förrän i slutet av testperioden.

### UNDERHÅLLSLADDNING: LED #5, 6 och 7 lyser

I 30 minuter kan kretsen ge ström till batteriet inom en säker spänningssgräns på 13,6 V samtidigt som resultatet från test av laddningsgrad visas. Den flytande underhållsladdningen på 30 minuter alternerar med test av laddningsgrad i 30 minuter tills batteriet kopplas från. En mer detaljerad beskrivning av den automatiska underhållscykeln för långtidsförvaring av batterier hittar du i avsnittet AUTOMATISKT BATTERIUNDERHÅLL.

**OBS 1:** Programmet kommer automatiskt att återställas 2 minuter efter manuell fränkoppling eller om CAN-bus-systemet har inaktiverat 12 V-utgången och programmet inte aktiveras inom 2 minuter.

SV

## ANMÄRKNINGAR TILL TESTRESULTAT:

1. Koppla från batteriet från det elsystem det stödjer vid annat testresultat än att grön led #5 lyser och anslut åter optimate. Om man då erhåller ett bättre testresultat indikerar det att effektförlusten delvis beror på ett elproblem i elsystemet och inte i själva batteriet. Om det dåliga utfallet fortfarande finns kvar rekommenderar vi att du tar batteriet till en fackmannaverkstad med professionell utrustning för en mer ingående undersökning.

2. Vid underhållsladdningcykeln kommer TEST-resultatet att fortsättas att visas tills TEST- och UNDERHÅLLS-cykeln upprepas. Om spänningsförlusten berodde på ett strömläckage ur batteriet av annat än övergående slag, återgå till en bättre nivå.

3. Om den röda LED #7 lyser, eller om den gula LED #6 och röda LED #7 lyser samtidigt, innebär det att finns ett allvarligt fel. Röda/gul-röd LED #6 och #7 eller enbart gul LED #6 för ett slutet batteri) betyder att batteriets spänning efter laddning inte hålls kvar eller att batteriet inte kunnat återställas trots flera försök. Det kan bero på ett fel på själva batteriet, som en kortsluten cell eller total sulfatering, eller när det gäller batterier som fortfarande är anslutna till det elsystem det stödjer kan den röda LED #7 indikera en strömförlust på grund av dåliga kablar, brytare eller dålig kontakt eller på grund av tillbehör i kretsen som drar ström. Även en plötslig belastning som att fordonets strålkastare slås på medan laddaren är ansluten kan göra att batterispänningen faller kraftigt.

4. GODKÄNT TESTRESULTAT, men batteriet kan inte leverera tillräckligt med ström. Permanent skada i batteriet kan orsaka överdriven självurladdning (orsakas av batteriet i sig självt, även ett delvis skadat batteri kan initialt ge tillräckligt med ström för att sedan förlora kraften snabbare än normalt). Koppla bort batteriet från OptiMate. Efter minst 12 timmar återanslut du batteriet och observera resultatet från FÖRBEDÖMNINGSTESTET.

**AUTOMATISKT BATTERIUNDERHÅLL:** Cykeln för underhållsladdning består av perioder på 30 minuter av avlastningsladdning som följs av och alternerar med "viloperioder" på 30 minuter utan laddningsström. Denna "50 %-iga driftcykel" förhindrar att elektrolyt går förlorad i slutna batterier och minimerar det gradvisa bortfallet av vatten från elektrolyten i batterier med påfyllningslock. Därmed bidrar den starkt till att optimera livslängden för batterier som används med ojämna mellanrum eller säsongsviss. Kretsen tillför batteriet ström inom en säker spänningsbegränsning på 13,6 V ("avlastningsladdning"), så att det kan ta till sig den lilla ström som krävs för att hålla det vid (eller nära) full laddning och kompensera för eventuella små elektriska belastningar som orsakas av fordonstillbehör eller färdatorer eller batteriets naturliga egenurladdning.

**UNDERHÅLL AV ETT BATTERI UNDER LÅNGRE TID:** OptiMate underhåller ett batteri vars grundförutsättning är bra, utan några risker under flera månader.

Kontrollera minst varannan vecka att anslutningarna mellan laddare och batteri är säkra och – för batterier med påfyllningslock till varje cell – koppla loss batteriet från laddaren, kontrollera elektrolytnivån och fyll vid behov på cellerna (**med destillerat vatten, INTE syra**) och anslut det åter. Följ alltid ovanstående säkerhetsföreskrifter vid hantering av batterier och i deras närhet.

## Laddningstid

Minsta tid som OptiMate 4 behöver för att utföra en laddnings- och testcykel och ge ett resultat är, även för ett fulladdat batteri, 45 minuter. Laddningstiden för ett urladdat men i övrigt oskadat batteri är i grova drag lika med batteriets Ah-klass, varför ett 20 Ah batteri inte bör behöva mer än omkring 20 timmar för att övergå till kontroll av egenurladdning (§ 5). Mycket urladdade batterier kan behöva mycket längre tid.

Om OptiMate 4 används med ett mycket urladdat bilbatteri med högre kapacitet kanske inte full laddning uppnås inom tidsgränsen för laddnings säkerhet på 48 timmar.

## Återställa laddaren eller testcykeln

Koppla från strömförsörjningen. Vänta på att (STROM PÅ) LED #1 slutar att lysa. Vid återanslutning till strömförsörjningen kommer alla LED-dioder utom 1, 2, 8, 9 och 10 att blinka två gånger för att bekräfta att mikroprocessorn fungerar, oavsett om laddaren är ansluten till ett batteri eller inte.

## INSKRÄNKT GARANTI

TecMate (International) NV, Sint-Truidensesteenweg 252, B-3300 Tienen, Belgien, utfärdar denna garanti till den ursprungliga köparen av produkten. Garantin kan inte överlåtas. Denna batteriladdare har av TecMate (International) försetts med en garanti som gäller i tre år från och med det datum den köpts hos en återförsäljare. Garantin omfattar materialfel och tillverkningsfel. Om något av nämnda fel upptäcks kommer enheten att repareras eller bytas ut enligt tillverkarens önskemål. Köparen måste överlämna enheten tillsammans med ett köpebevis (se "NOTERA") och förbetalda transport- eller portokostnader till tillverkaren eller en auktoriserad återförsäljare. Garantin gäller inte om produkten används felaktigt eller vårdslöst. Den gäller heller inte om produkten reparerats av någon annan än tillverkaren eller en auktoriserad återförsäljare. Denna garanti är den enda giltiga och den omfattar inga implicerade garantikrav, inklusive garantikrav för följskador.

DETTA ÄR DEN ENDA GÄLLANDE GARANTIN OCH TILLVERKAREN VARKEN ÅTAR SIG ELLER AUKTORISERAR NÅGON ANNAN ATT ÅTA SIG ELLER UPPRÄTTA NÅGRA SKYLDIGHETER GENTEMOT PRODUKTEN FÖRUTOM DENNA GARANTI. DINA LAGLIGA RÄTTIGHETER PÅVERKAS INTE.

NOTERA: Se [www.tecmate.com/warranty](http://www.tecmate.com/warranty) eller kontakta [warranty@tecmate.com](mailto:warranty@tecmate.com)

copyright © 2012 TecMate International

OptiMate 4 och namnger av andra produkter som nämns i dessa anvisningar liksom BatteryMate, TestMate och TestMatemini, är registreringsvarumärken av TecMate International NV.

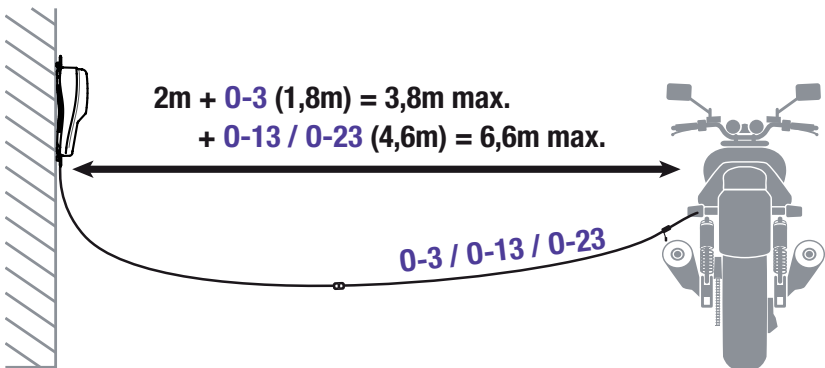
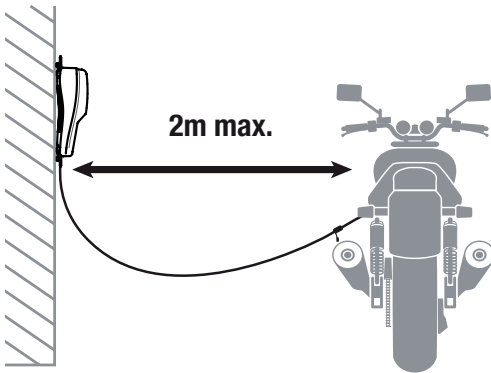
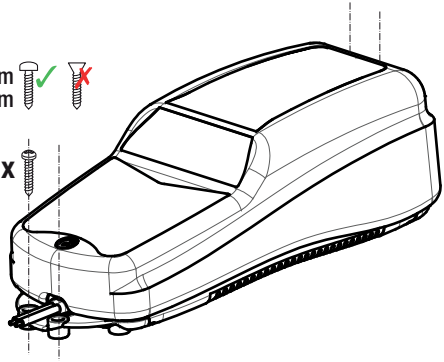
Mer information på TecMate produkter kan finnas på [www.tecmate.com](http://www.tecmate.com).

**MOUNTING NOTICE  
NOTICE DE MONTAGE  
NOTA PARA EL MONTAJE  
NOTA DA MONTAGEM  
WANDMONTIERUNG  
MUURBEVESTIGING  
NOTA DEL MONTAGGIO  
VÄGGMONTERING**

Ø 3,5mm  
L +20mm



4x



# Optimate

**accessories**



Discover our full range of accessories at [optimize1.com](http://optimize1.com)

Entdecken Sie unser komplettes Zubehörsortiment auf [optimize1.com](http://optimize1.com)

Découvrez notre gamme complète d'accessoires sur [optimize1.com](http://optimize1.com)



Ontdek ons volledig gamma toebehoren op [optimize1.com](http://optimize1.com)

Descubra nuestra gama completa de accesorios en [optimize1.com](http://optimize1.com)

Descubra toda a nossa gama de acessórios em [optimize1.com](http://optimize1.com)



Scoprite la nostra gamma completa di accessori su [optimize1.com](http://optimize1.com)

Se vårt kompletta sortiment av tillbehör på [optimize1.com](http://optimize1.com)

# Optimate™

**Battery Performance  
Guaranteed!**