

ARGENTA SERIES

IP66 METAL WALL-MOUNTING CABINETS

Description: IP66 - WALL-MOUNTING CABINET 1200X900X300 OPAQUE DOOR

Reference: GN1209030

Characteristics:

Product type:	Compact wall-mounting cabinet
Dimensions cabinet:	(AxBxC) 1200x900x300 mm
Installation:	Surface
Type of door:	Single opaque door
Locking:	5-mm double-bit lock - One 3-points lock
Finish:	Coated with hardened epoxy-polyester paint, embossed, 80-120 ?.
Colour:	RAL 7035 grey
Mounting plate:	With flat mounting plate. 2-mm galvanised sheet steel
Weight (Kg):	67
Materials:	Cold-rolled steel EN10130+A1

Technical data:

Degree of protection:	IP66 / NEMA 1, 12, 4
Resistance to impact:	IK10
Ambient temperature range:	-25°C / +40°C
Maximum operating voltage:	1000 V AC

Certificates and standards:

Directive:	2014/35/EU
Standards:	UNE-EN 62208 / UNE-EN 61439-1-3 (as applicable).
Certificates:	UL508A / Bureau Veritas

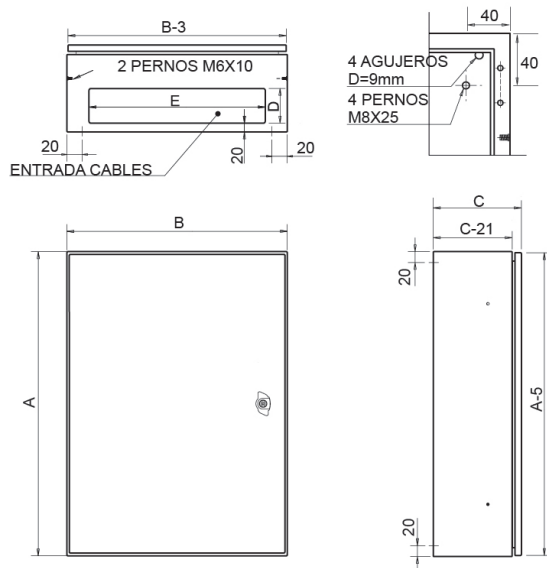


ARGENTA SERIES

IP66 METAL WALL-MOUNTING CABINETS

Description: IP66 - WALL-MOUNTING CABINET 1200X900X300 OPAQUE DOOR

Reference: GN1209030



Pictures and drawings are standards. To get more details please surf www.ide.es to download those files (pdf, dxf, igs).

Dimensions cabinet:	(AxBxC) 1200x900x300 mm	Cable entry:	(DxE) 140x700 mm
Body to be flush-fitted:	-	Wall fixing:	(Height x Width) 1160x860 mm
Inside usable space:	(Height x Width x Depth) 1150x850x279 mm		

Sustainability:

RoHS - REACH

Product end of life:

It does not require specific recycling operations.

Supply:

Supplied in individual packaging containing cabinet, plate and accessory bag. Mounting plate is supplied assembled inside the cabinet.