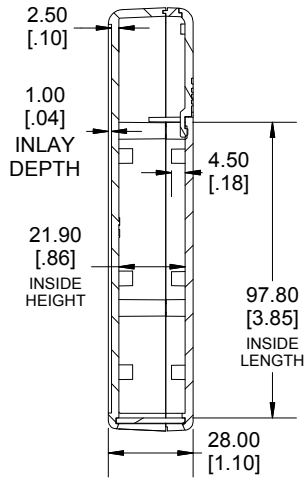
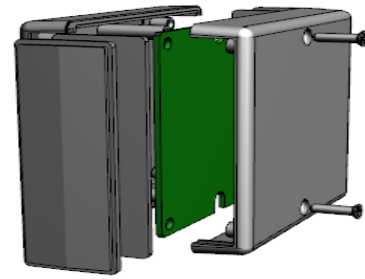


TOP VIEW



**SECTION B-B
SIDE VIEW**



Enclosures can be Factory Modified (Milling, Drilling, Printing etc.)
 Contact Factory (modshop@hammondmfg.com) for quotes
 Solid models of this enclosure available in STEP or PARA.
 (Part number and text placement/orientation on our products are subject to change,
 we do not recommend using them as a locating reference for modification purposes)

NOTE
 Enclosure molded from GP ABS (UL94-HB) plastic.
 Purchased assembly includes top and bottom cover, 1 plastic flat panel for front,
 battery door and 4 cover screws.

Recommended Cover Screw Torque - 57lbf-in (40cN-m)

1593	
1593J Regular Enclosure	
Black Enclosure	1593YBK
Grey Enclosure	1593YGY
Translucent Blue Enclosure	1593YTB

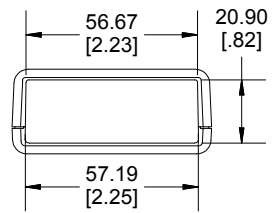
ACCESSORIES	
Cover Screws #4 X 3/4" Self-Tapping (100 Pkg)	1593QS100 (Silver) 1593QS100BK (Black)
P.C. Board Screws #4 X 1/4" Self-Tapping	1593ATS50 (Pkg 50) 1593ATS100 (Pkg 100)
Nylon Belt Clip	1599CLIP (Black) 1599CLIPGY (Grey)
1-AAA Battery Holder (Single)	BH1AAAW
2-AAA Battery Holder (Single)	BH2AAAW
2-AA Battery Holder (Single)	BH2AAW
1-9V Battery Holder (Single)	BS61

1593Y STD FLAT PANEL (SINGLE PANEL)	Black	1593PLBK-BULK
	Grey	1593PLGY-BULK
	Translucent Blue	1593PLTB-BULK
	Infrared	1593PIR10
1593Y STD CONTOURED PANEL (SINGLE PANEL)	Aluminum	1593PAL10
	Black	1593KCLBK-BULK
	Grey	1593KCLGY-BULK
	Translucent Blue	1593KCLTB-BULK

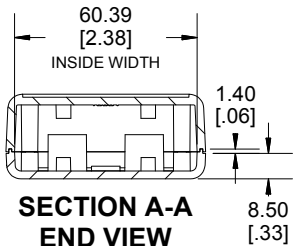
**HAMMOND
MANUFACTURING**

1593Y

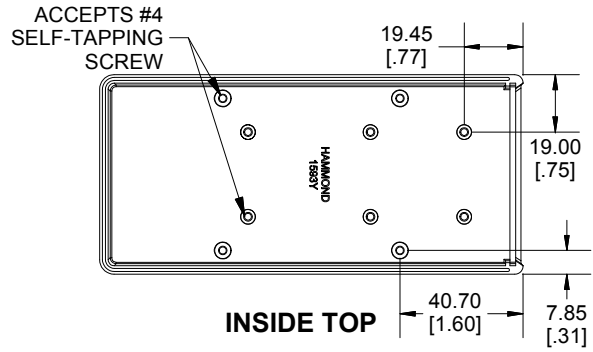
www.hammondmfg.com



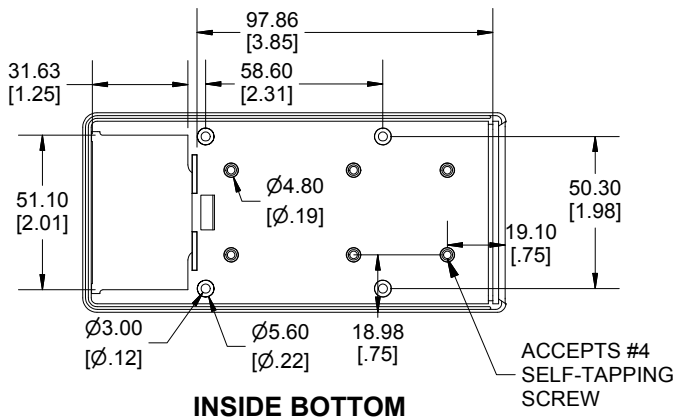
END VIEW



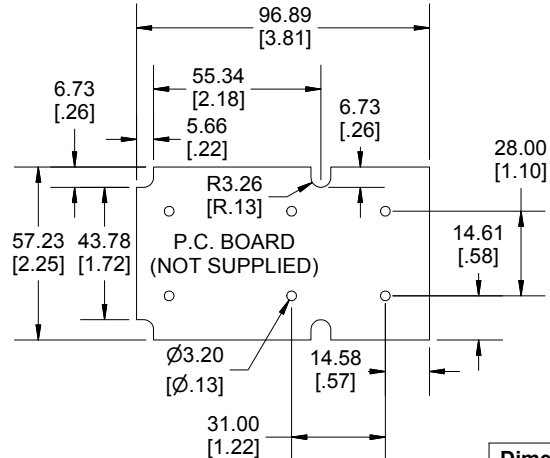
**SECTION A-A
END VIEW**



INSIDE TOP



INSIDE BOTTOM



**P.C. BOARD
(NOT SUPPLIED)**

Dimensions:
mm
[inches]