

Data sheet

Connection line M12 plug straight - M12 jack straight 8-pole, X-coded 5.0 m

Page 1/6

P/N

142M2X12050

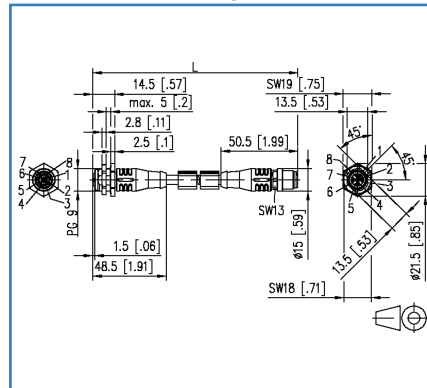
EAN 4250184198352

2017-10-10

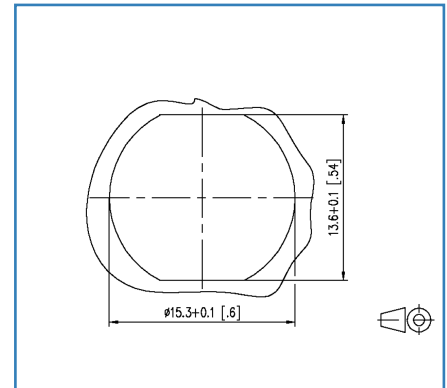
Illustrations



Dimensional drawing



Cut-out



See enlarged drawings at the end of document

Product specification

- shielded M12 Ethernet connection line
- Cat.6_A, 8 pole, X-coded
- M12-jack, straight on M12 connector, straight
- extrusion-coated cable on M12 connectors
- stranded wires 4x2xAWG26/7 PiMF
- overall shield tinned copper braid
- 1:1 pin assignment
- green cable, PUR
- a protective cap is included in scope of delivery
- variants: 1.0 m, 2.0 m, 5.0 m, 10.0 m
- other cable lengths on request

Data sheet

Page 2/6

Connection line M12 plug straight - M12 jack straight 8-pole, X-coded 5.0 m

P/N

142M2X12050

EAN 4250184198352

2017-10-10

Technical Data

General Data

Fields of application

Industrial Ethernet

Design

Ethernet-Connection line

Shielding

shielded

Transmission technology

Copper

Cable Type

S/FTP

Number of twisting elements

4

Twisting element

Pair

Wiring

1 - 1

Color coding fiber/ wire(s)

white/orange, orange, white/green, green, white/brown, brown, white/blue, blue

Color

green

Dimensions

Dimension - Interface 1 (L x W x H)

48.50 x 18.00 x 21.50 mm

Dimension - Interface 1 (L x W x H)

1.909 x 0.709 x 0.846 in.

Dimension - Interface 2 (L x W x H)

50.50 x 15.00 x 15.00 mm

Dimension - Interface 2 (L x W x H)

1.988 x 0.591 x 0.591 in.

Cable length (m)

5.00 m

Cable length (ft)

16.40 ft

Transmission characteristics

Category (ISO)

6_A

Transmission rate up to 10 GBit

IEEE 802.3an

Connections/interfaces

Connector technology interface 1

M12-jack

Connector technology interface 2

M12-plug

Coding interface 1

X-coded

Coding interface 2

X-coded

Number of positions/contacts interface 1

8

Number of positions/contacts interface 2

8



Connection line M12 plug straight - M12 jack straight 8-pole, X-coded 5.0 m

P/N

142M2X12050

EAN 4250184198352

2017-10-10

Technical Data

Connections/interfaces

Termination data, stranded wire (min. - max.)

Conductor cross section, stranded wire	AWG 26/7
Conductor cross section, stranded wire	0.141 mm ²
Conductor diameter, stranded wire (bare copper)	0.483 mm
Conductor diameter, stranded wire (bare copper)	0.019 in.
Cable sheath diameter (min. - max.)	
Cable sheath diameter	6.40 mm
Cable sheath diameter	0.236 in.

Electrical characteristics

Current carrying capacity	0.5 A
Insulation resistance	min. 100 MOhm

Mechanical characteristics

Bending radius without load	min. 64 mm
-----------------------------	------------

Materials and material properties

Material - Conductor	Cu (copper)
Material - Cable jacket	PUR
Material - Body interface 1	Plastics
Material - Body interface 2	Plastics
Material - Contact interface 1	CuZn (brass)
Material - Contact interface 2	CuZn (brass)
Material - Contact finish interface 1	Au (gold)
Material - Contact finish interface 2	Au (gold)
Material - Contact carriers interface 1	Plastics
Material - Contact carriers interface 2	Plastics
Material - Union nut interface 1	CuZn (brass)
Material - Union nut interface 2	CuZn (brass)
Material - Union nut finish interface 1	Ni (nickel)
Material - Union nut finish interface 2	Ni (nickel)
Material - Main shield	Cu (copper) braid
Material - Main shield finish	Sn (tin)
Flame retardancy	yes



Connection line M12 plug straight - M12 jack straight 8-pole, X-coded 5.0 m

P/N

142M2X12050

EAN 4250184198352

2017-10-10

Technical Data

Environmental conditions

Temperature (min. - max.)	
Temperature - Storage °C	-30 - 90 °C
Temperature - Storage °F	-22 - 194 °F
Temperature - Operating °C	-30 - 90 °C
Temperature - Operating °F	-22 - 194 °F
Particulate ingress interface 1	IP6X when plugged in
Liquid ingress/immersion interface 1	IPX7 when plugged in
Particulate ingress interface 2	IP6X when plugged in
Liquid ingress/immersion interface 2	IPX7 when plugged in
Pollution degree interface 1	3
Pollution degree interface 2	3

Approvals

RoHS	compliant
------	-----------

The product meets the following standards

Generic cabling systems	
General requirements	ISO/IEC 11801-1 DIN EN 50173-1
Multi-element metallic cables used in analogue and digital communication and control	DIN EN 50288-4-1
Test for vertical flame propagation for a single insulated wire or cable	DIN EN 60332-1-2
Measurement of smoke density of cables burning	DIN EN 61034

Classifications

ETIM 5.0	EC002599
ETIM 6.0	EC002599

Packing details

Type of packaging	1 pc(s) / plastic bag
Packaging unit - Weight (gram)	114.00 g
Packaging unit - Weight (pound)	0.25 lb

Connection line M12 plug straight - M12 jack straight
8-pole, X-coded 5.0 m

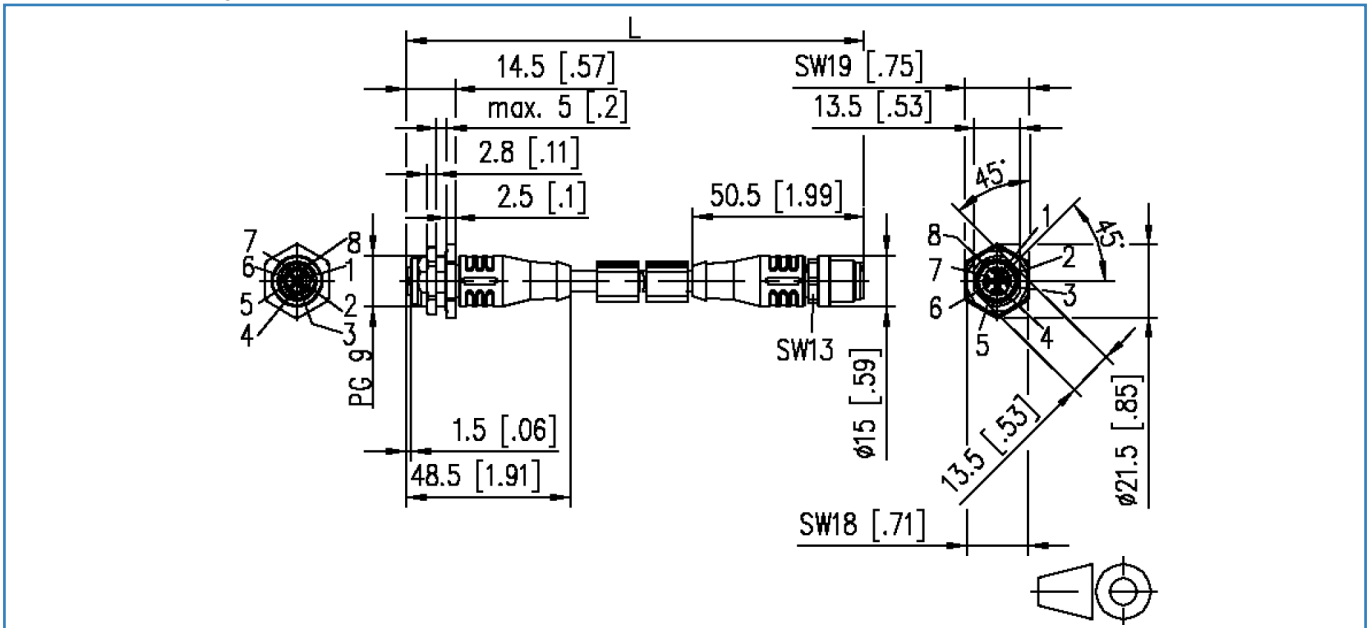
P/N
142M2X12050

EAN 4250184198352

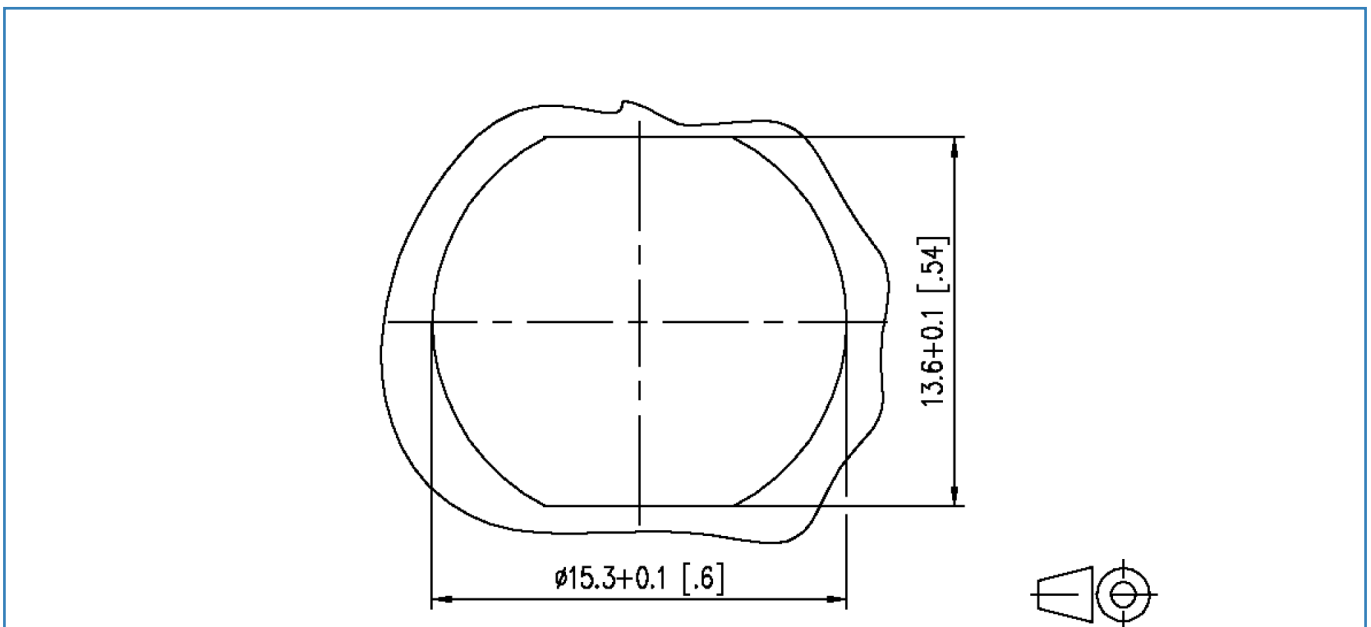
2017-10-10

Illustrations

Dimensional drawing



Cut-out



Data sheet

Page 6/6

Connection line M12 plug straight - M12 jack straight 8-pole, X-coded 5.0 m

P/N

142M2X12050

EAN 4250184198352

2017-10-10

Illustrations

Wiring

