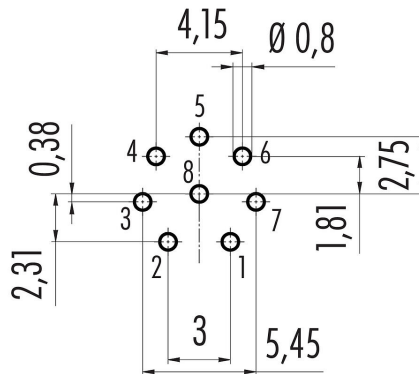


Product description	M12-A female panel mount connector, Contacts: 8, unshielded, dip-solder, IP68, UL, PG9, front mounting
Area	M12-A series 763
Order number	86 0532 1000 00008

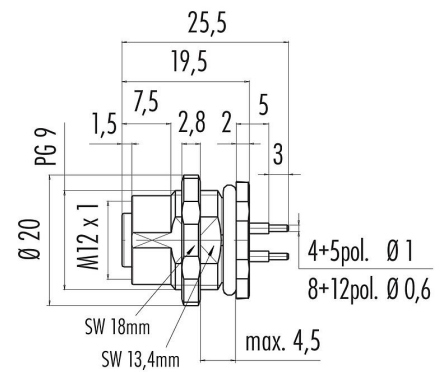
Illustration



Conductor layout

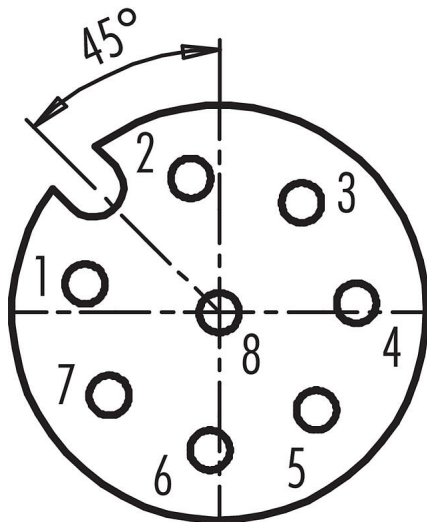


Scale drawing



Version with zinc diecasted housing

Contact arrangement (Plug-in side)



You can find the assembly instructions on the next page.

Technical data

Product description	<b>M12-A female panel mount connector, Contacts: 8, unshielded, dip-solder, IP68, UL, PG9, front mounting</b>
Area	<b>M12-A series 763</b>
Order number	<b>86 0532 1000 00008</b>

### General features

Order number	86 0532 1000 00008 Alternative order number: 09 3482 275 08
Notice	Please note that, due to the change from the old to the new order number, there may be deviations in the technical specifications. For questions about product details, please use the 'Contact Customer Service' form on the right.
Connector design	female panel mount connector
Version	connector female straight
Connector locking system	screw
Termination	dip-solder
Degree of protection	IP68
Temperature range from/to	-40 °C / 85 °C
Mechanical operation	> 100 Mating cycles
Weight (g)	12
Customs tariff number	85369010

### Electrical parameters

Rated voltage	30 V
Rated voltage UL	60
Rated impulse voltage	800 V
Rated current (40 °C)	2 A (UL 1.5 A)
Insulation resistance	> 10 <sup>8</sup> Ω
Pollution degree	3
Overvoltage category	II
Insulating material group	III
EMC compliance	unshielded

### Material

Housing material	Zinc die-cast nickel-plated
Contact body material	PA black
Contact material	CuSn (bronze)
Contact plating	Au (gold)
Contact length	6.0 mm
REACH SVHC	CAS 7439-92-1 (Lead)
SCIP number	e678d66c-2336-4317-af57-2340c8353a9b

### Authorization/approvals

Approvals	UL
-----------	----

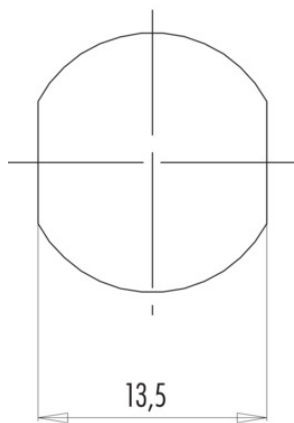
Product description	M12-A female panel mount connector, Contacts: 8, unshielded, dip-solder, IP68, UL, PG9, front mounting
Area	M12-A series 763
Order number	86 0532 1000 00008

### Classifications

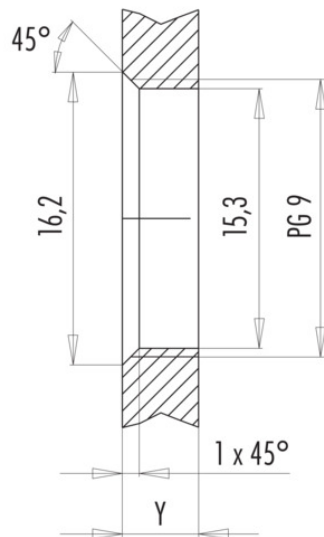
eCl@ss 11.1	27-44-01-09
ETIM 7.0	EC003569

### Assembly instructions / Panel cut-out

With flats as anti-rotation device



With bore hole



Installation direction: o-ring sits on chamfer.

### Tightening moment

Metall housing/Plastic housing 1,25 Nm

Thickness of wall Y (mm)		
Version	min (mm)	max (mm)
Fastened from rear	2	3,5
Front fastened	2	4,5
positioning possible <sup>1)</sup>	2	3,5
Screw clamp	2	3,5
Thread M12 x 1	2	3,0
Thread M14 x 1 <sup>2)</sup>	<sup>3)</sup> 1,5/ <sup>4)</sup> 2	6,5

### Notes

- <sup>1)</sup> Do not attach a chamfer
- <sup>2)</sup> Wall thickness:  
use locknut 01-5385 up to 1,5 mm,  
>1,5 mm cut thread
- <sup>3)</sup> Nut
- <sup>4)</sup> Thread in wall of housing

Product description	<b>M12-A female panel mount connector, Contacts: 8, unshielded, dip-solder, IP68, UL, PG9, front mounting</b>
Area	<b>M12-A series 763</b>
Order number	<b>86 0532 1000 00008</b>

### Security notices

The connectors have been developed for applications in plant engineering, control and electrical equipment construction. The user is responsible for checking whether the connectors can also be used in other areas of application.

Plug connectors with enclosure protection IP 67 and IP 68 are not suitable for use under water. When used outdoors, the plug connectors must be protected separately against corrosion. For further information on the IP protection classes, please refer to the "Technical Information" download centre.