



SPECIFICATIONS SHEET

PRODUCT TYPE : PIEZO BUZZER

PRODUCT SERIES : DB-E918

DESCRIPTION : PZ BUZZER SINGLE 12VDC PIN PBT SP RoHS

COLOR : BLACK

ELECTRICAL SPECIFICATIONS

MODEL NO.	91S3120LF - PH	
OPERATING VOLTAGE RANGE (VDC)	3.0 ~ 24.0	
RATED VOLTAGE (VDC)	12.0	
* MAX. RATED CURRENT (mA)	15.0	
* MIN. SOUND OUTPUT (dBA/ 30 cm)	80.0	
* FREQUENCY (Hz)	3000 ± 500	
TONE NATURE	SINGLE	
OPERATING TEMPERATURE (°C)	- 20 ~ + 105	
TERMINAL	PIN	
HOUSING MATERIAL	PBT	
WEIGHT (g)	3.5	

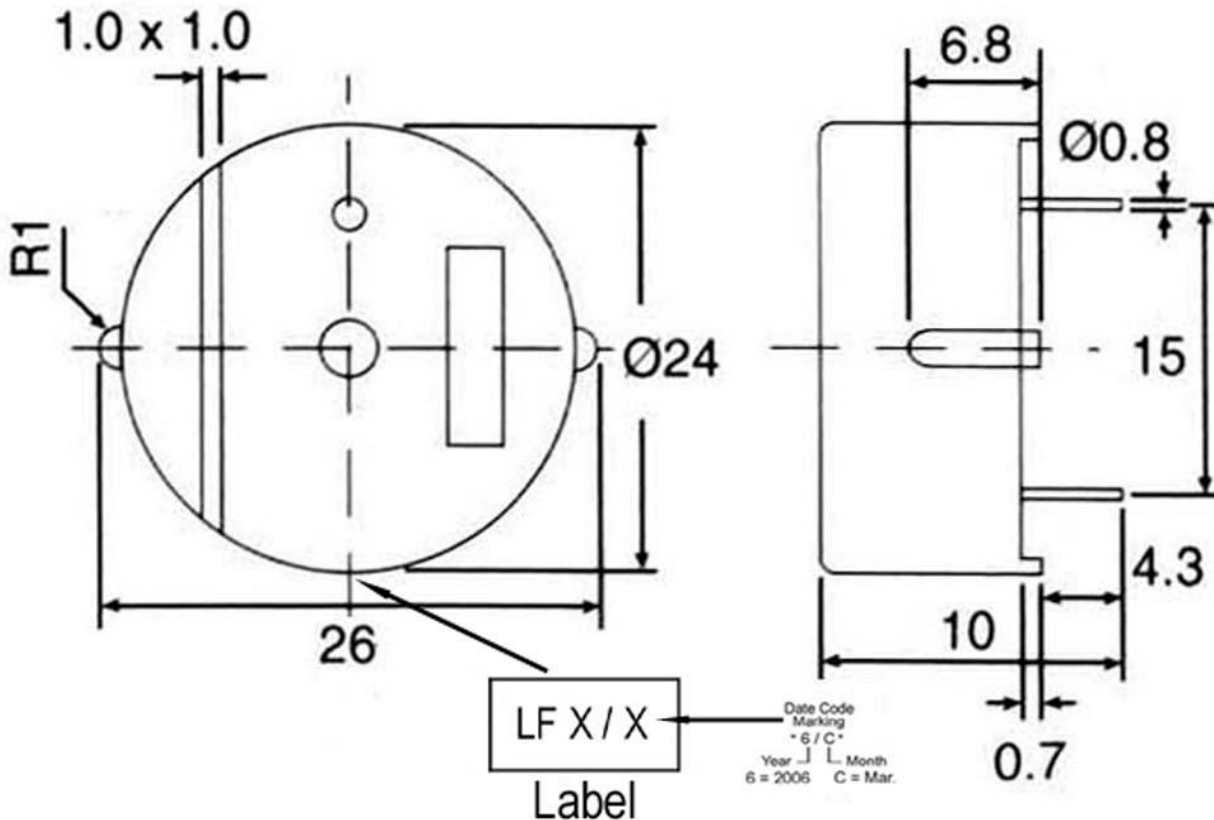
* Value applying at rated voltage

DIMENSIONS

UNIT : mm

TOP VIEW

SIDE VIEW



Approved By : 
Date : 3-Mar.-2006



Prepared By : 
Date : 3-Mar.-2006



Modify :	Date :	By :

