



Specifications Sheet

Product Type : Piezo Buzzer

Product Series : DB-E38

Description : PZ BUZZER SINGLE 12VDC L/W FR ABS RoHS

Color : White

Electrical Specifications

Model No.		3S3120LFLB
Operating Voltage Range	(VDC)	3.0 ~ 18.0
Rated Voltage	(VDC)	12.0
* Max. Rated Current	(mA)	35.0
* Min. Sound Output	(dBA / 30.0 cm)	105.0
* Frequency	(Hz)	2900.0 ± 500.0
Tone Nature		Single
Operating Temperature	(°C)	- 20.0 ~ + 70.0
Storage Temperature	(°C)	- 30.0 ~ + 80.0
Terminal		Leadwire (UL1007, AWG#26)
Housing Material		Flame Retardant ABS
Weight	(g)	28.0

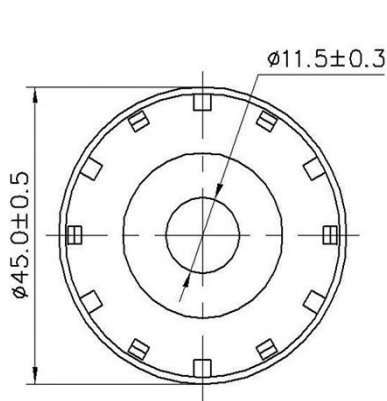
* Value applying at rated voltage

Dimensions

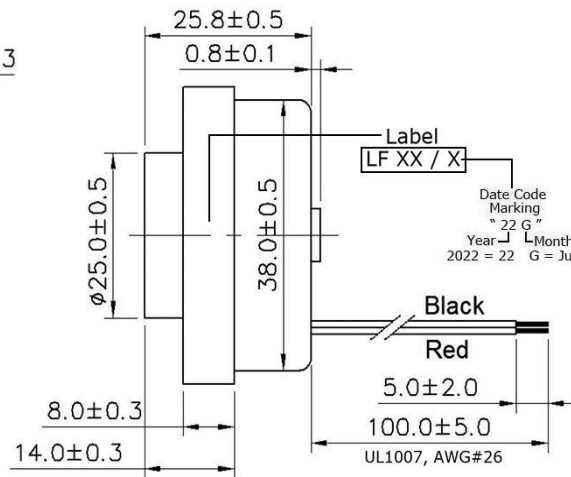
Unit : mm

Tolerance : ± 0.5 mm

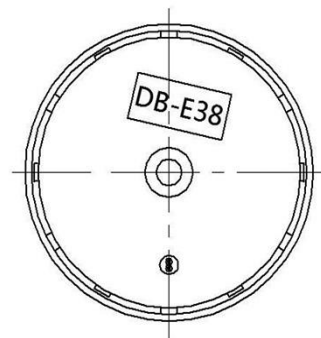
TOP VIEW





SIDE VIEW



BOTTOM VIEW



Approved By : 
Date : 14 July 2022

Prepared By : 
Date : 14 July 2022

Modify :	Date :	By :
1) Operating Voltage Range : 1 ~ 13 VDC change to 3 ~ 18 VDC. 2) Height : 26 mm change to 25.8 mm. 3) Bottom Housing : Ø 38.5 mm change to Ø 38 mm. 4) Modify " Mechanical Draw ". 5) Operating Temperature : - 20 ~ + 60 ° C change to - 20 ~ + 70 ° C. 6) Storage Temperature : - 30 ~ + 70 ° C change to - 30 ~ + 80 ° C.	14 July 2022	Ron