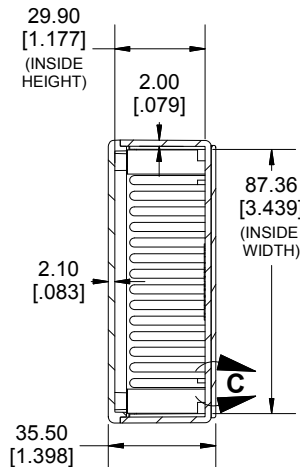
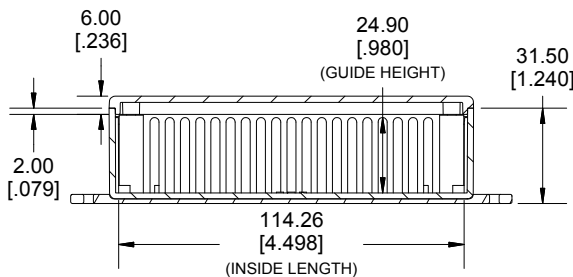
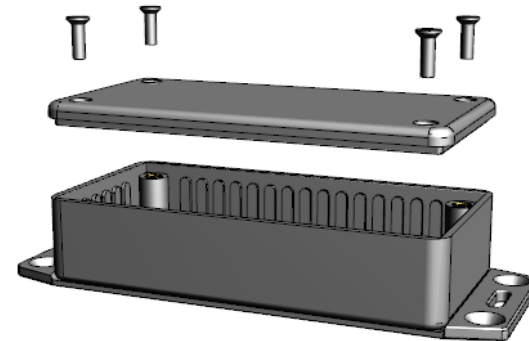


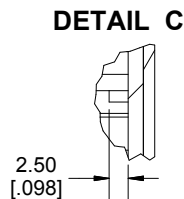
**TOP VIEW**



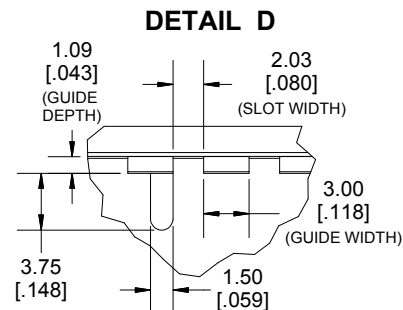
**SECTION A-A**



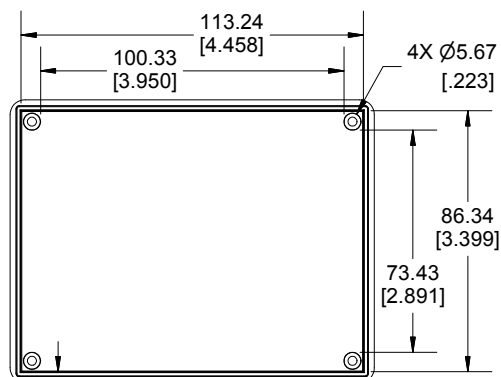
**SECTION B-B  
SIDE VIEW**



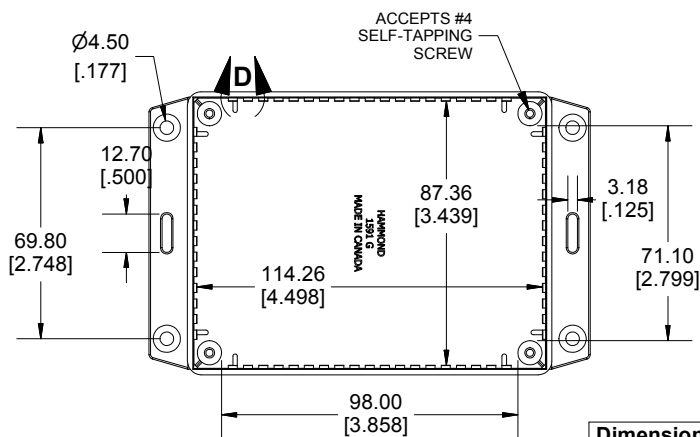
**DETAIL C**



**DETAIL D**



**INSIDE LID**



**INSIDE BOX**

**Dimensions:**  
mm  
[inches]

Enclosures can be Factory Modified ( Milling, Drilling, Printing etc.)  
Contact Factory [mjm@hammondmfg.com](mailto:mjm@hammondmfg.com) for quotes  
Solid models of this enclosure available in STEP or IGES.

**NOTE**

Purchased assembly includes box, lid and 4 cover screws  
Enclosure made from GPABS.

**Recommended Torque: 42-57 ozf.in (30-40 cN.m)**

**PART NUMBERS**

**1591G Enlosure**

General Perpose ABS Black	1591GF2SBK
General Perpose ABS Grey	1591GF2SGY

**Accessories**

Plated Cover screw	1591TS100 (Silver)
#4 X 1/2" (100Pkg) Self-Tapping	1591TS100BK (Black)
	1591Z6 (6Pkg)
PC Board Card Adapters	1591Z50 (50 Pkg)
	1591Z100 (100Pkg)
Nylon Belt / Pocket clip	1599CLIP (Black)
	1599CLIPGY (Grey)
Clear Lids - Flame Retardant	1591GC
Polycarbonate - Lid ONLY	

**HAMMOND  
MANUFACTURING®**

**1591GF2S**

[www.hammondmfg.com](http://www.hammondmfg.com)