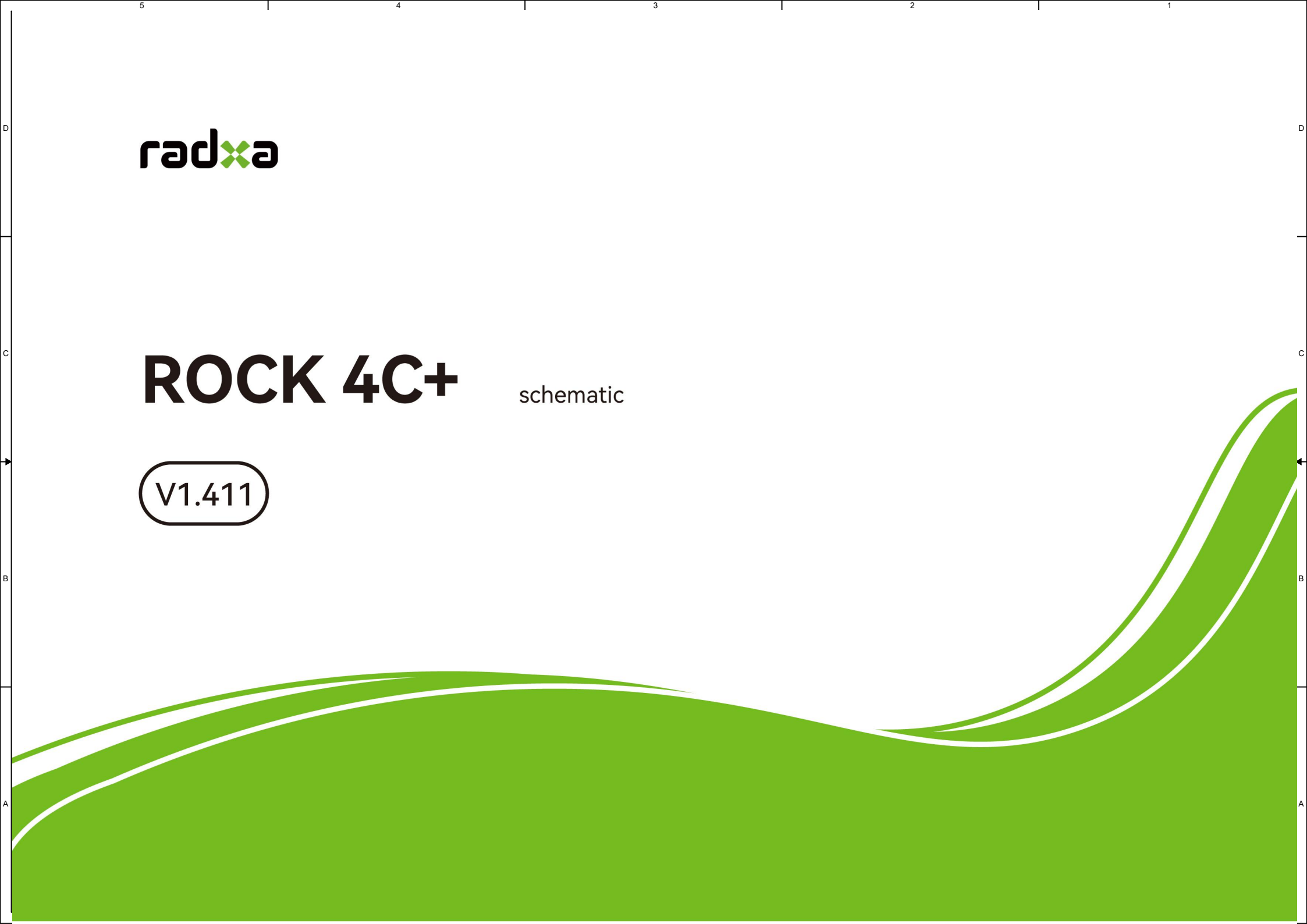




ROCK 4C+

schematic

V1.411

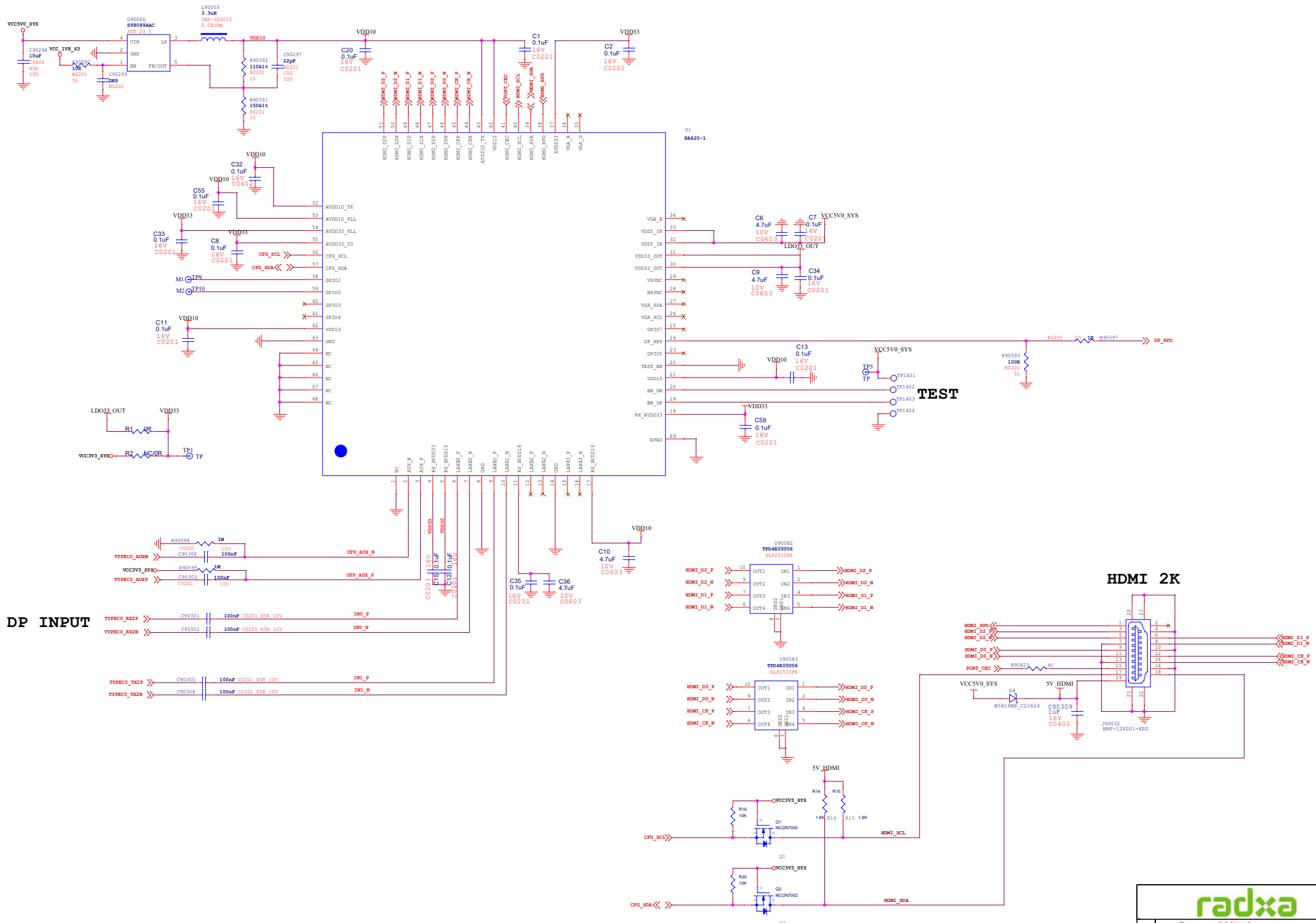


CONTENT INDEXING

- 01.Cover Page
- 02.CONTENT
- 03.DP to HDMI 2K
- 04.HDMI 4K
- 05.RK3399 Power/GND
- 06.RK3399 PMU Controller
- 07.RK3399 DRAM Controller
- 08.RK3399 FLASH/MMC Controller
- 09.RK3399 USB/USIC Controller
- 10.RK3399 SAR-ADC/Key
- 11.RK3399 VideoInput
- 12.RK3399 VideoOutput
- 13.RK3399 GPIO
- 14.RK3399 PCIE
- 15.RAM-LPDDR4(200P)
- 16.EMMC
- 17.WIFI/BT MODULE
- 18.TF Card
- 19.CAM
- 20.Audio
- 21.CONNECTOR
- 22:Power-PMIC RK809-3
- 23.USB3.0 OTG Port
- 24.RTL8211F
- 25.Power TYEPC IN



Size	Title: ROCK 4C+	REV
A4	Page Name: CONTENT	1.411
Date: Tuesday, November 29, 2022	Sheet 2 of 25	

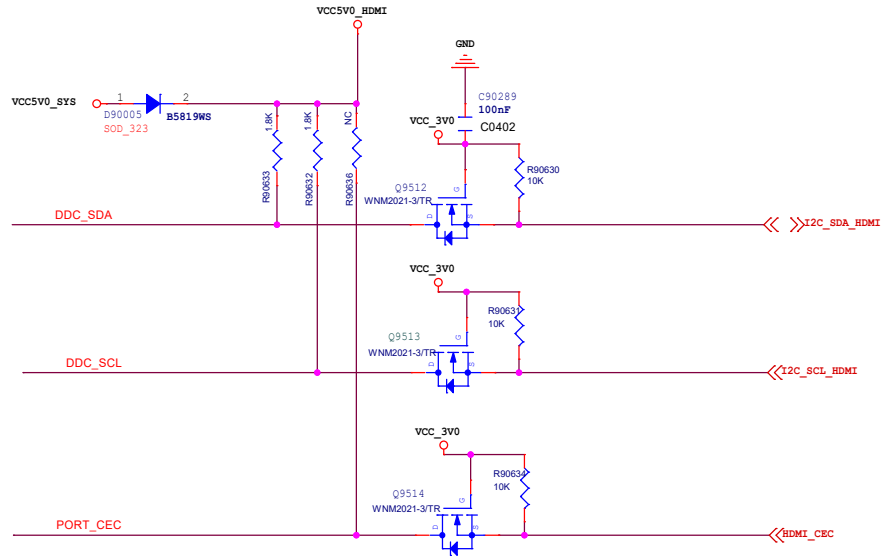
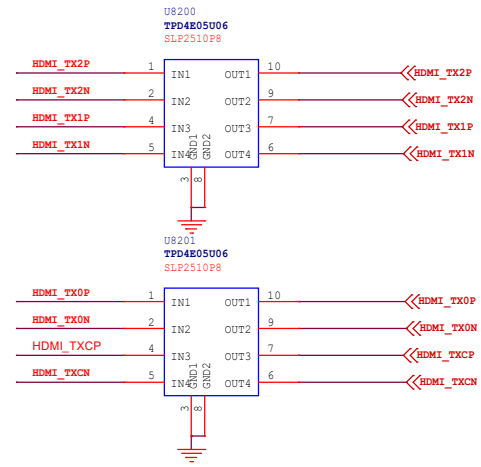
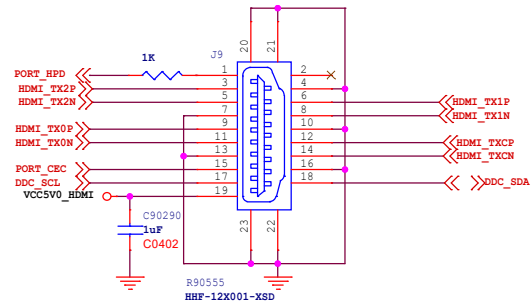


DP INPUT

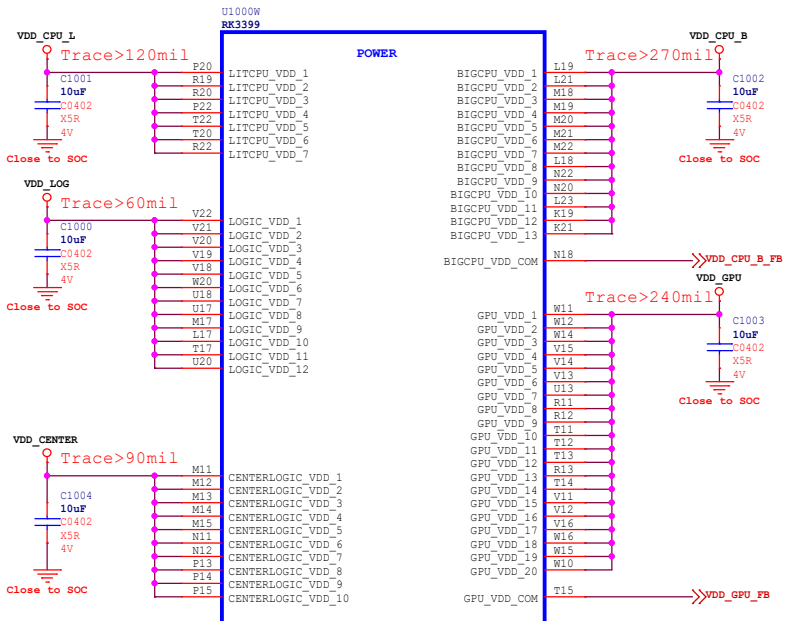
TEST

HDMI 2K

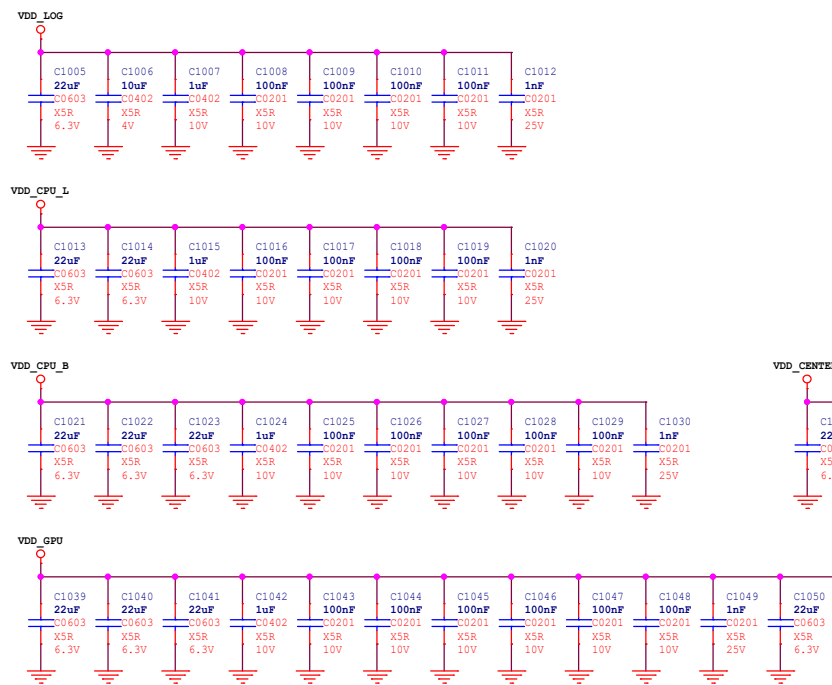
HDMI 4K



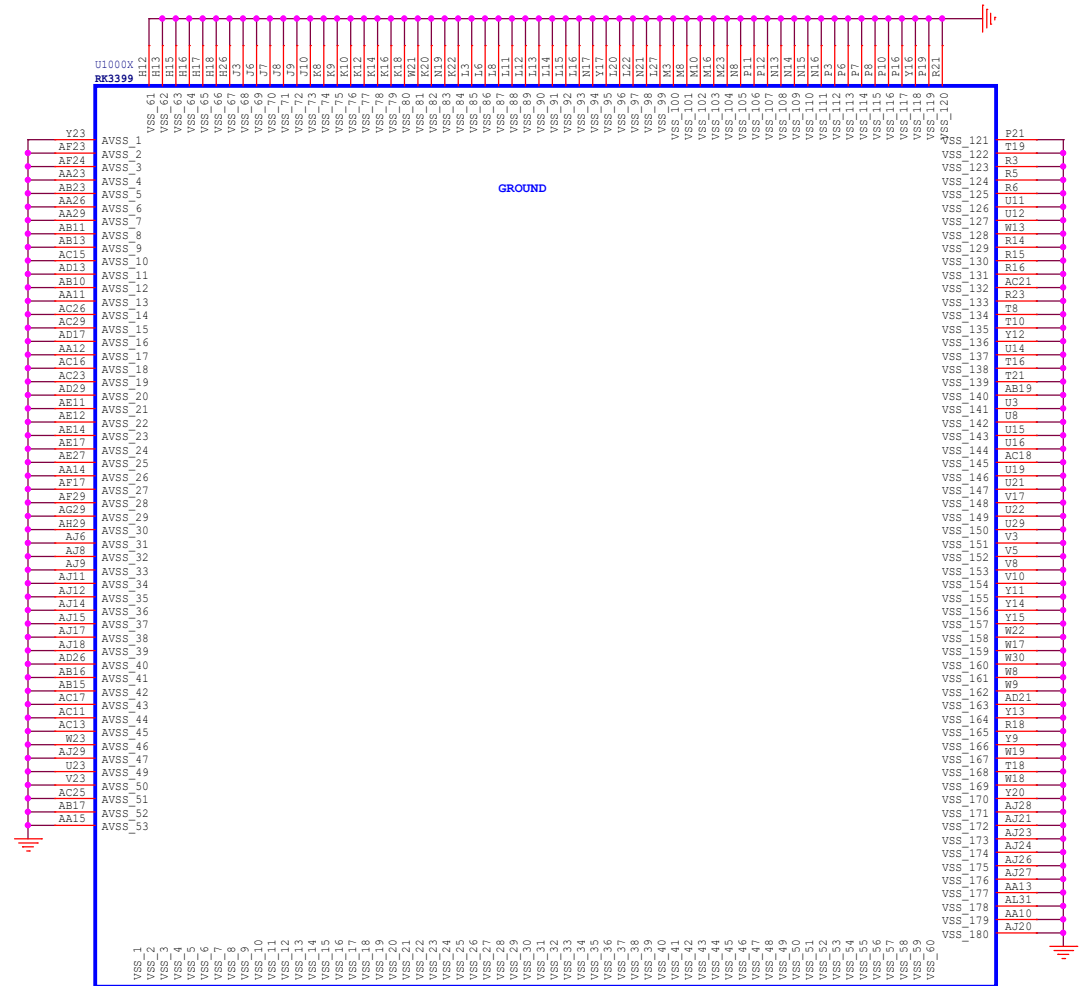
Power



Note: All the Power filter capacitors should be placed close to the power pins of RK3399

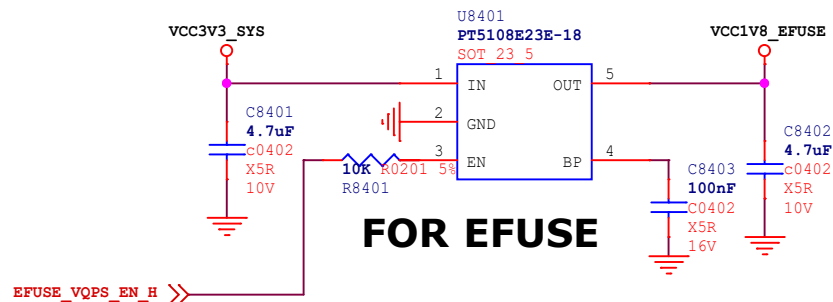
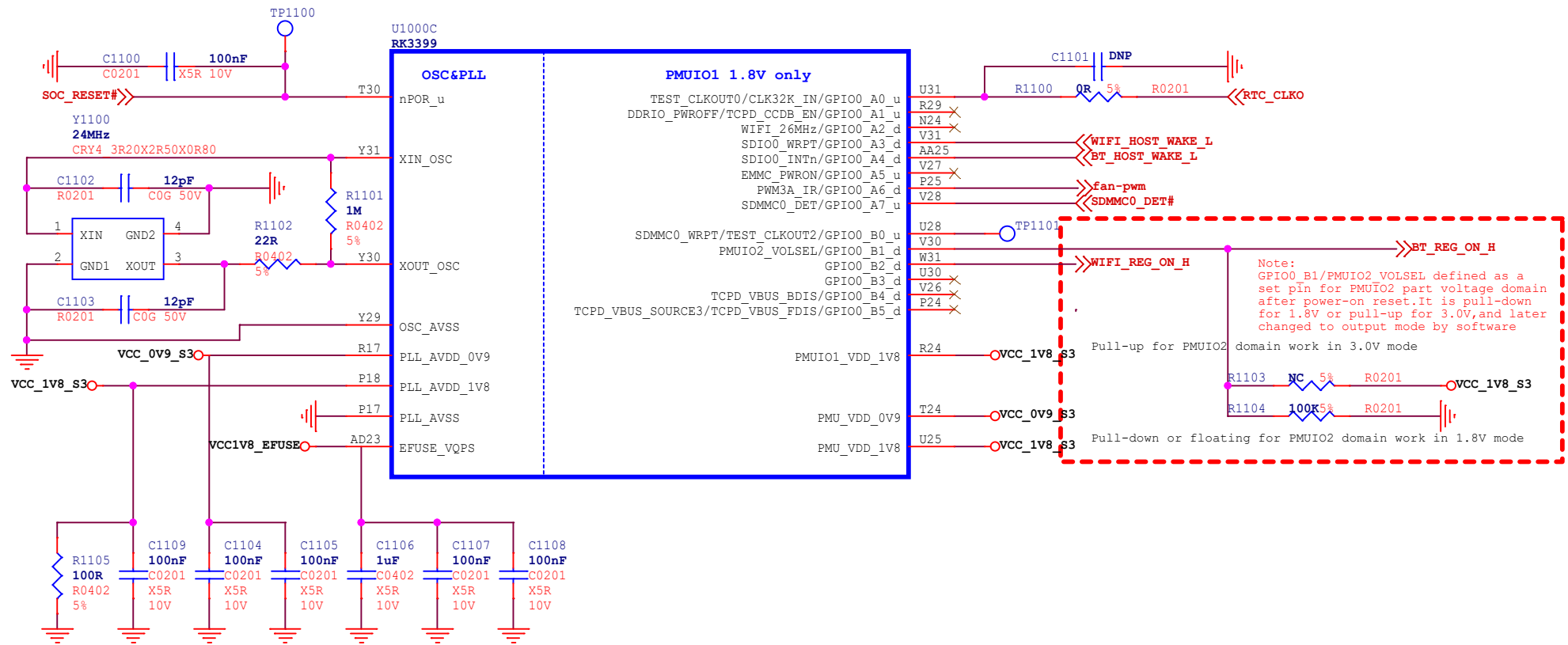


Ground



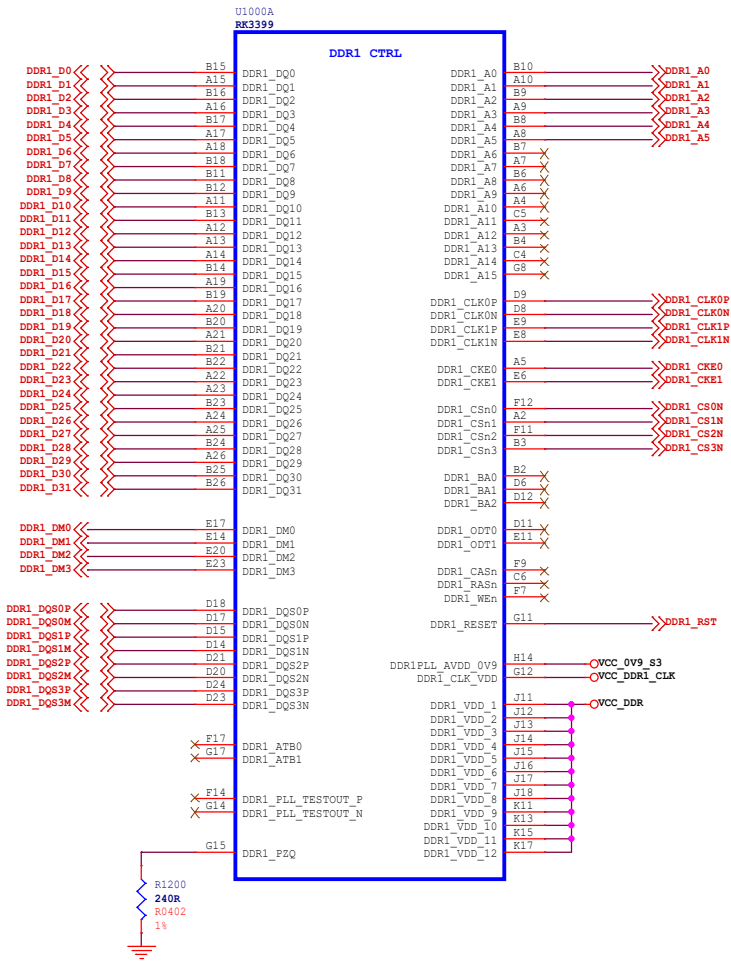
Size	Title: ROCK 4C+	REV
A3	Page Name: RK3399 Power/GND	1.411
Date: Tuesday, November 29, 2022	Sheet 5 of 25	

OSC/PLL/PMUIO1

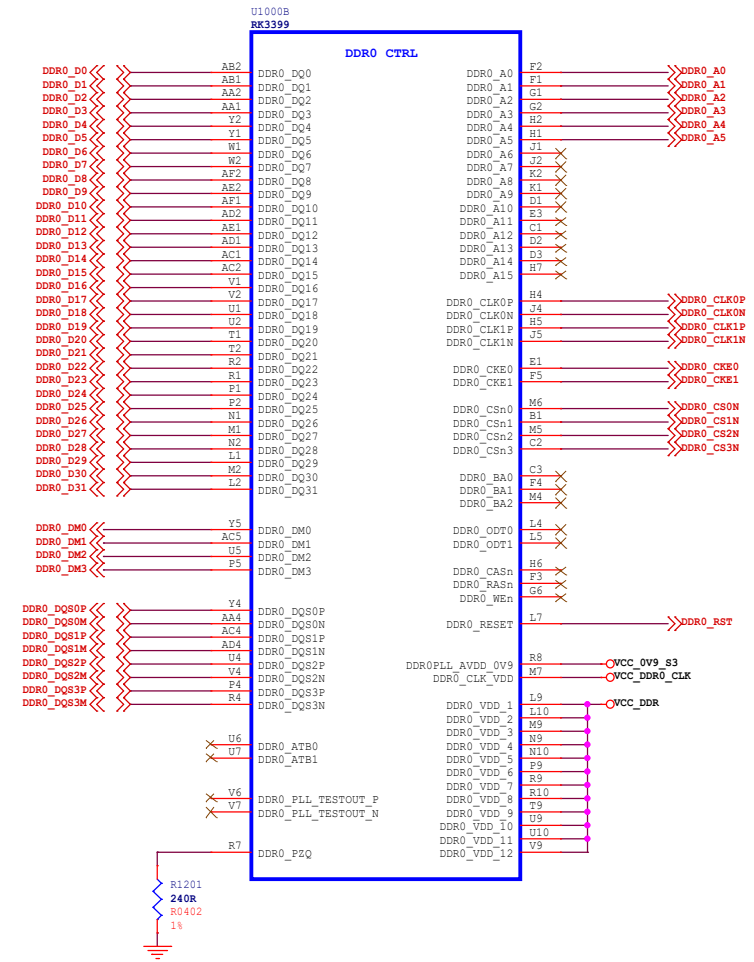


Size	Title: ROCK 4C+	REV
A4	Page Name: RK3399 PMU Controller	1.411
Date: Tuesday, November 29, 2022	Sheet 6 of 25	

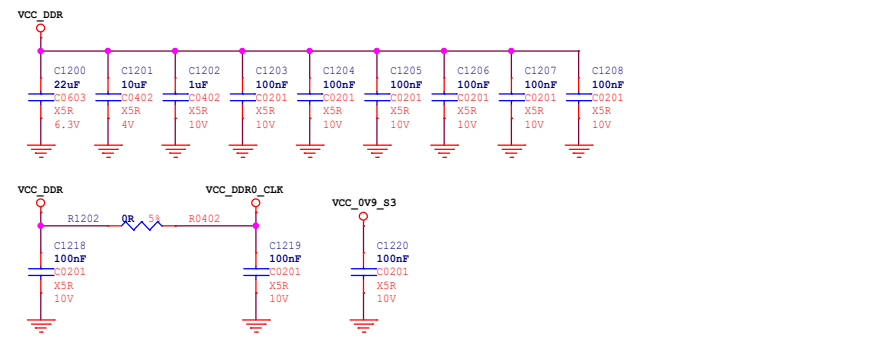
DDR1 Controller



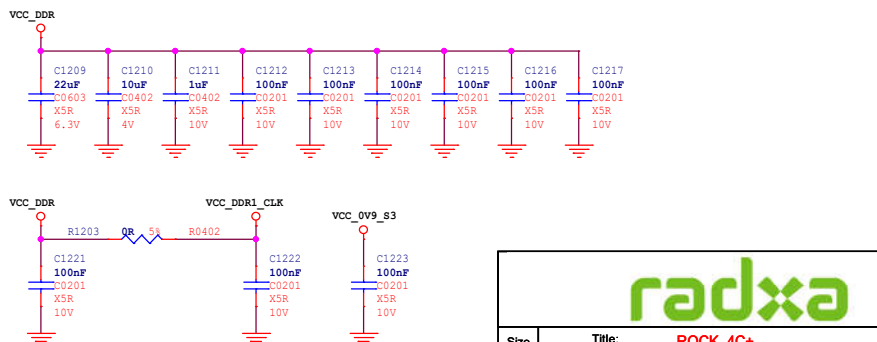
DDR0 Controller



DDR1 Power Decoupling

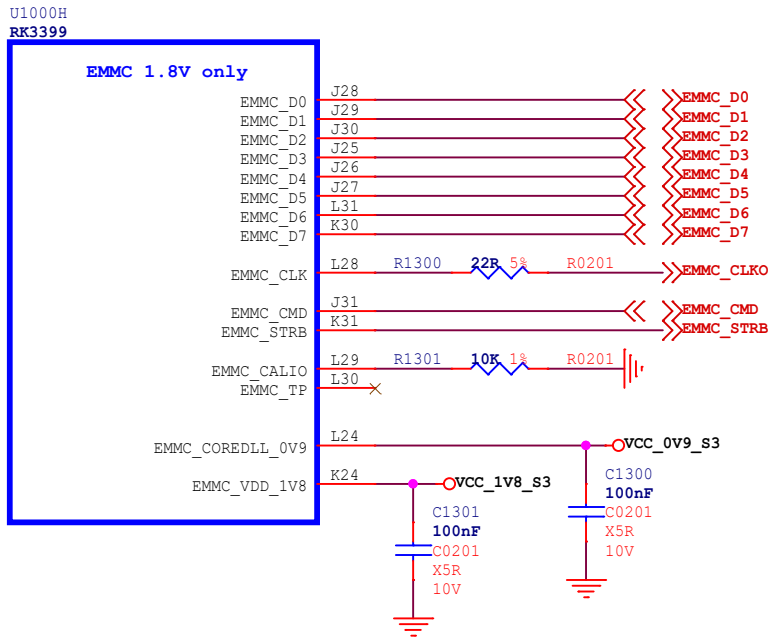


DDR0 Power Decoupling

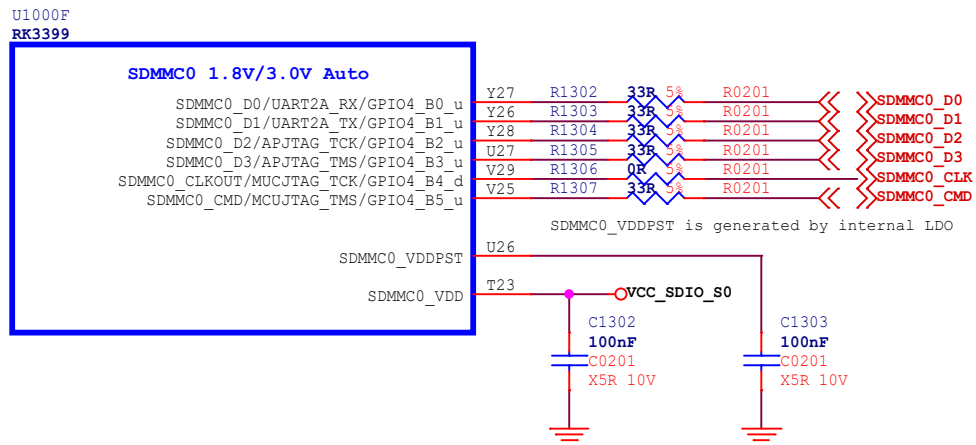


Size	Title: ROCK 4C+	REV
A3	Page Name: RK3399 DRAM Controller	1.411
Date: Tuesday, November 29, 2022	Sheet 7 of 25	

eMMC Controller

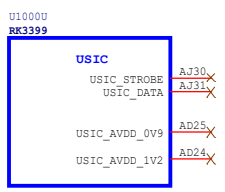


SDMMC Controller

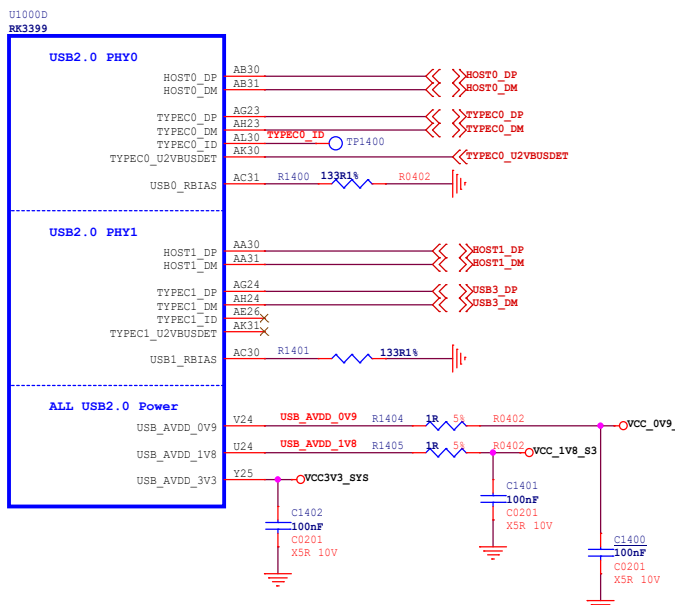


Size	Title: ROCK 4C+	REV
A4	Page Name: RK3399 FLASH/MMC Controller	1.411
Date: Tuesday, November 29, 2022	Sheet	8 of 25

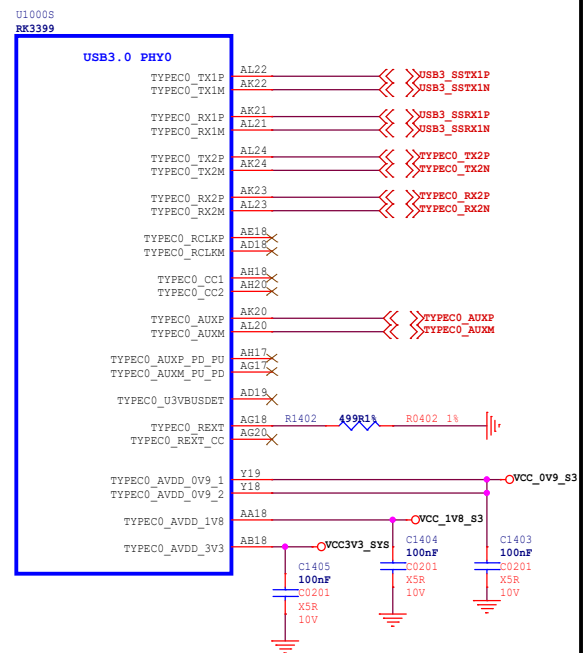
USIC Controller



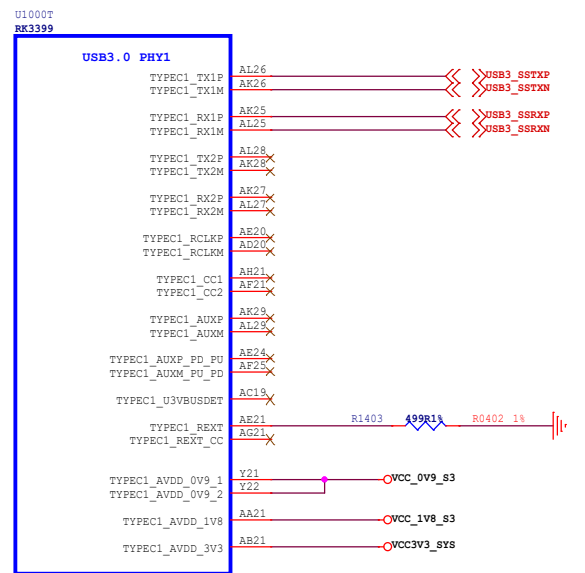
USB2.0 Controller



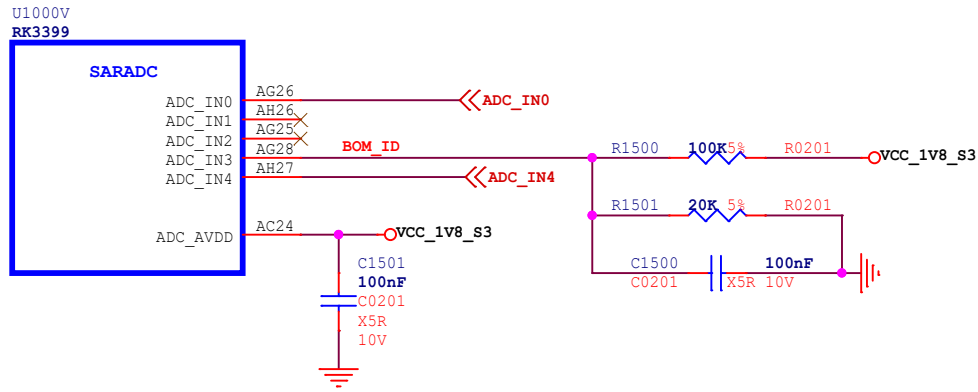
USB3.0 PHY0 Controller



USB3.0 PHY1 Controller



SARADC



BOM ID

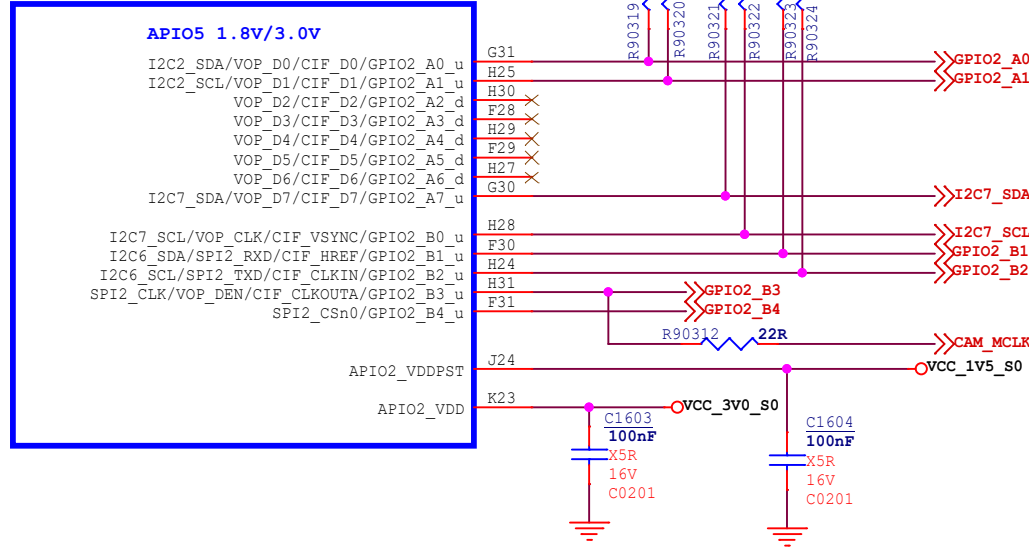
Item	Rup	Rdown		VOL	VERSION
LEVEL1	DNP	100K		0V	A
LEVEL2	100K	20K		0.3V	B
LEVEL3	100K	51K		0.6V	C
LEVEL4	100K	100K		0.9V	D
LEVEL5	100K	200K		1.2V	E
LEVEL6	100K	499K		1.5V	F
LEVEL7	100K	DNP		1.8V	G



Size	Title: ROCK 4C+	REV
A4	Page Name: RK3399 SAR-ADC/Key	1.411
Date: Tuesday, November 29, 2022	Sheet 10 of 25	

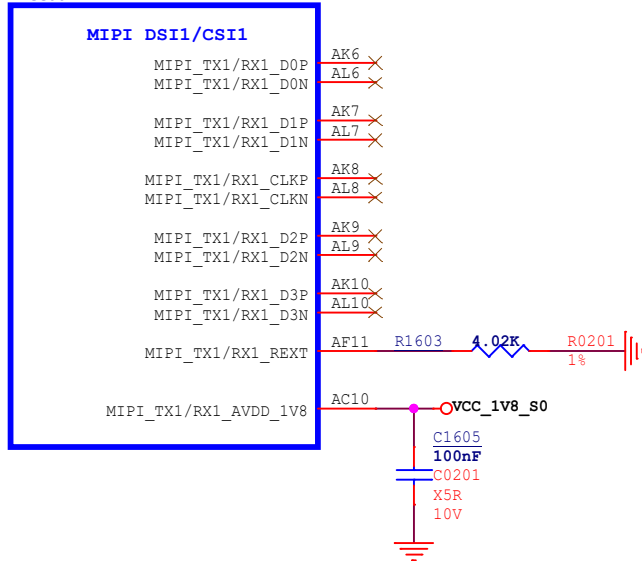
GPIO

U1000L
RK3399



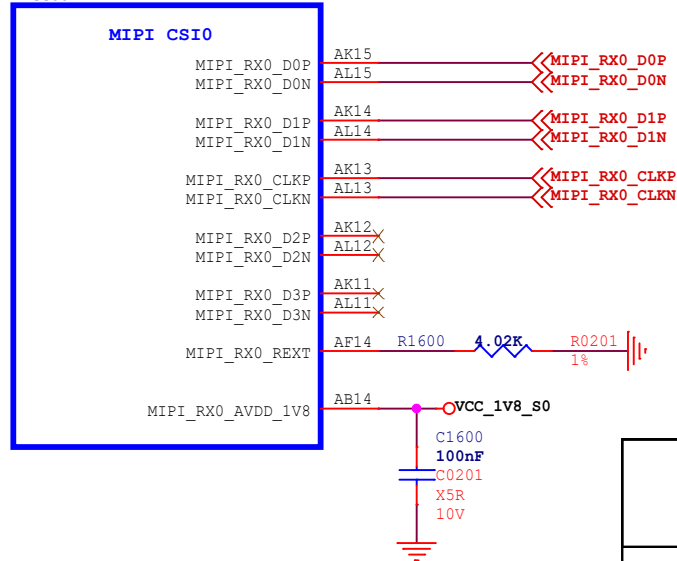
MIPI DSI1/CSI1

U1000P
RK3399



MIPI CSI0

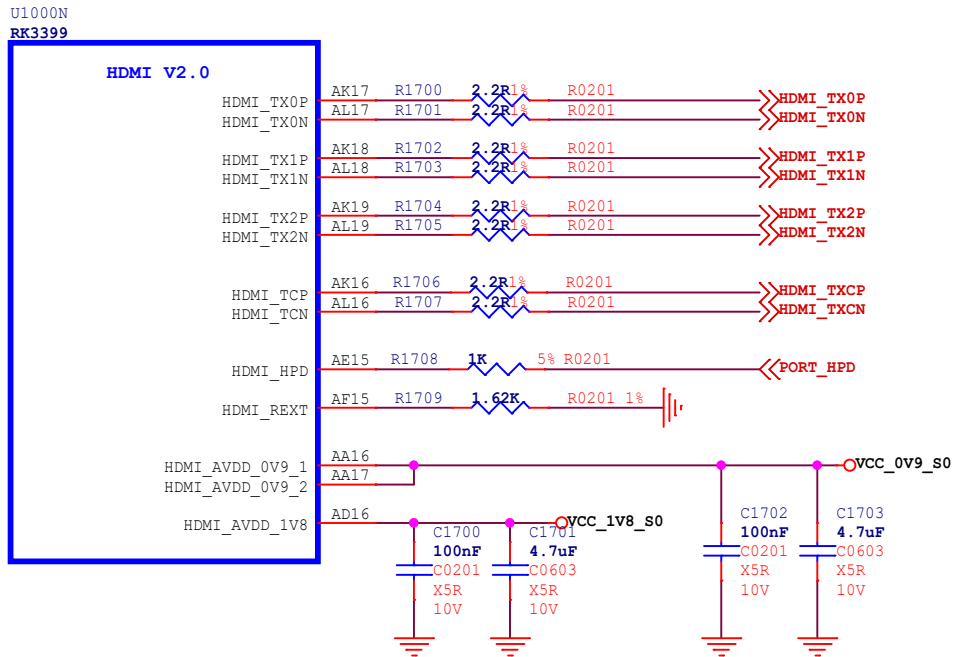
U1000R
RK3399



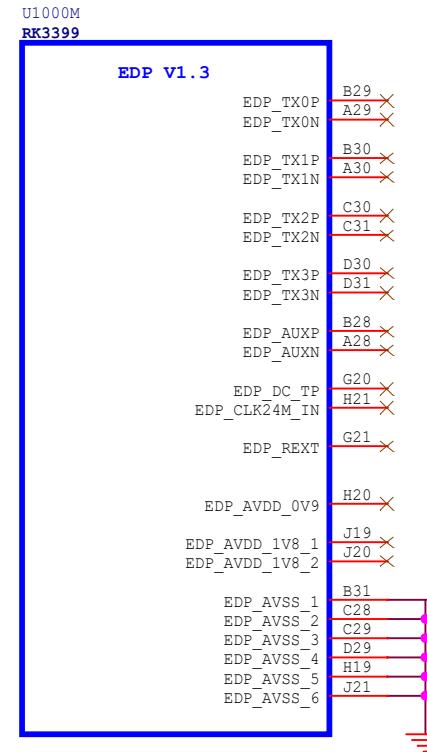
Size	Title: ROCK 4C+	REV
A4	Page Name: RK3399 VideoInput	1.411
Date:	Tuesday, November 29, 2022	Sheet 11 of 25

Note: All the Power filter capacitors should be placed close to the power pins of RK3399

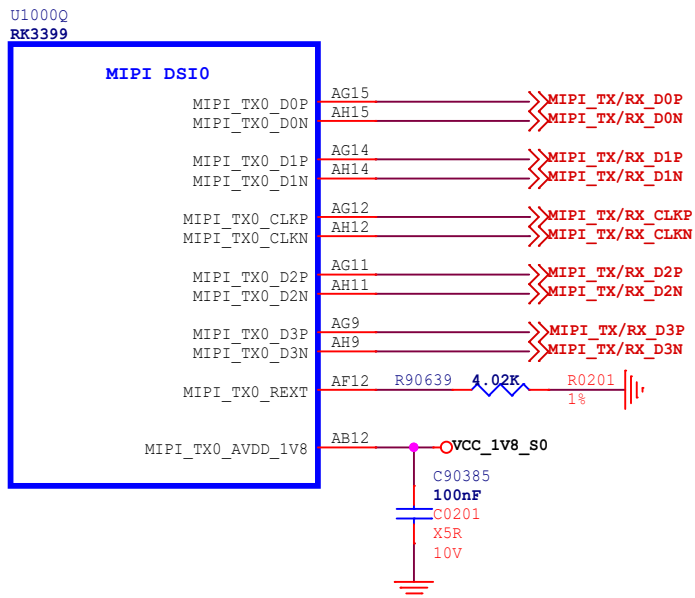
HDMI



EDP



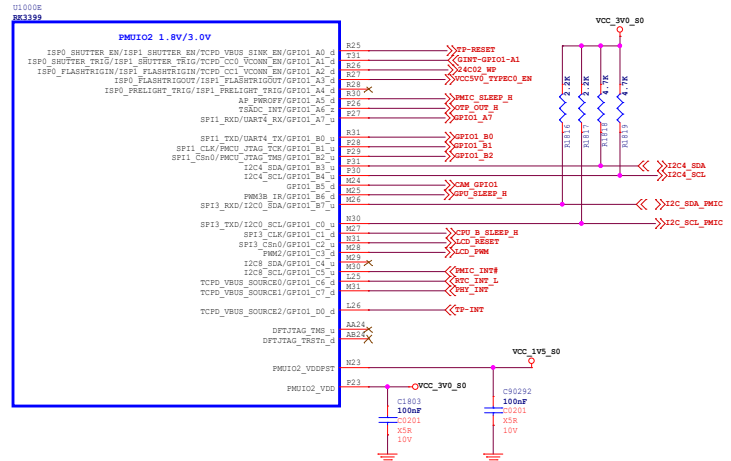
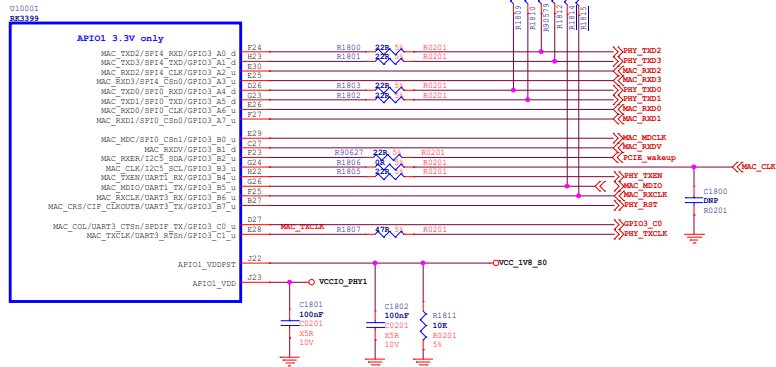
MIPI DSI0



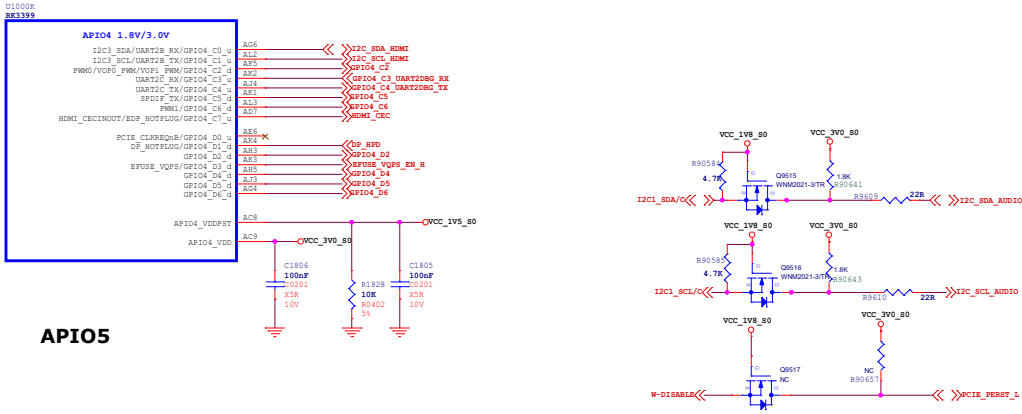
Size	Title: ROCK 4C+	REV
A4	Page Name: RK3399 VideoOutput	1.411
Date: Tuesday, November 29, 2022	Sheet 12 of 25	

PMUIO2

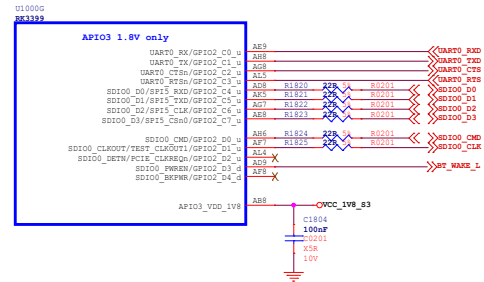
APIO1



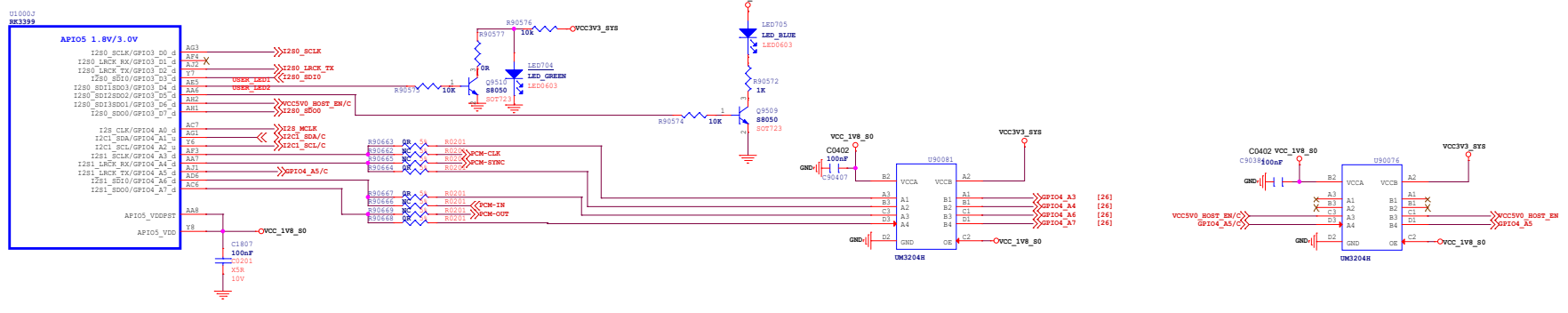
APIO4



APIO3

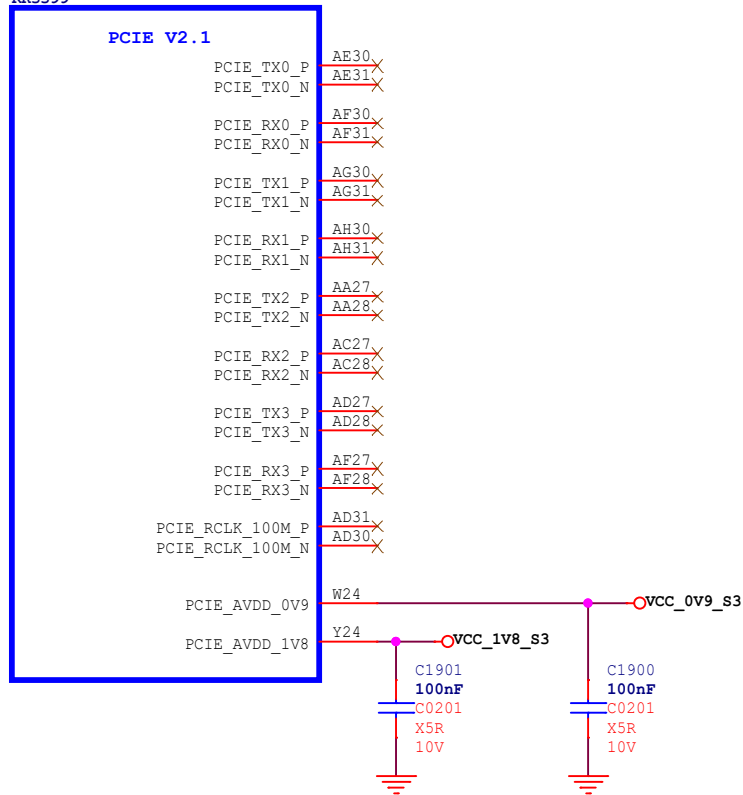


APIO5

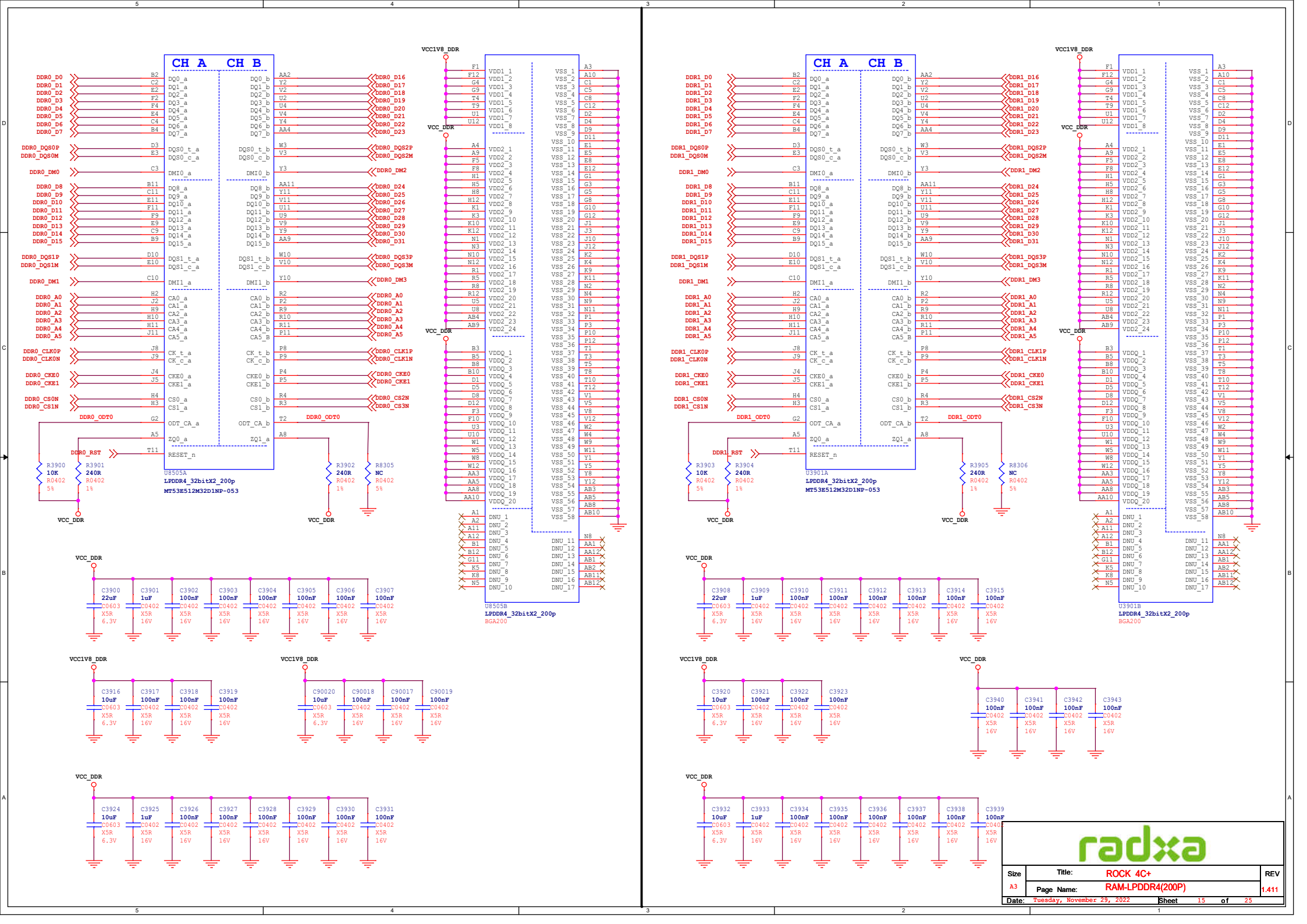


PCIE

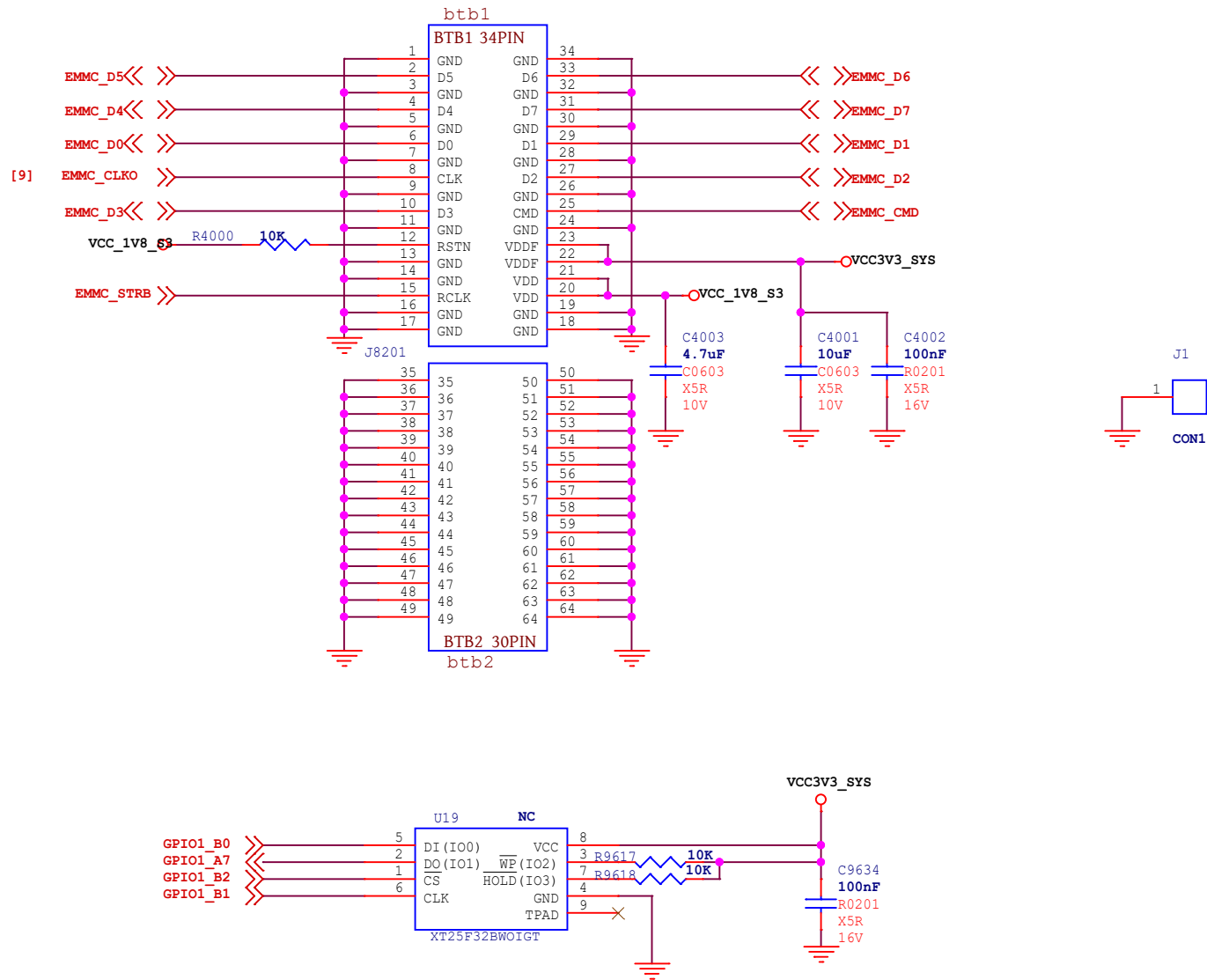
U10000
RK3399

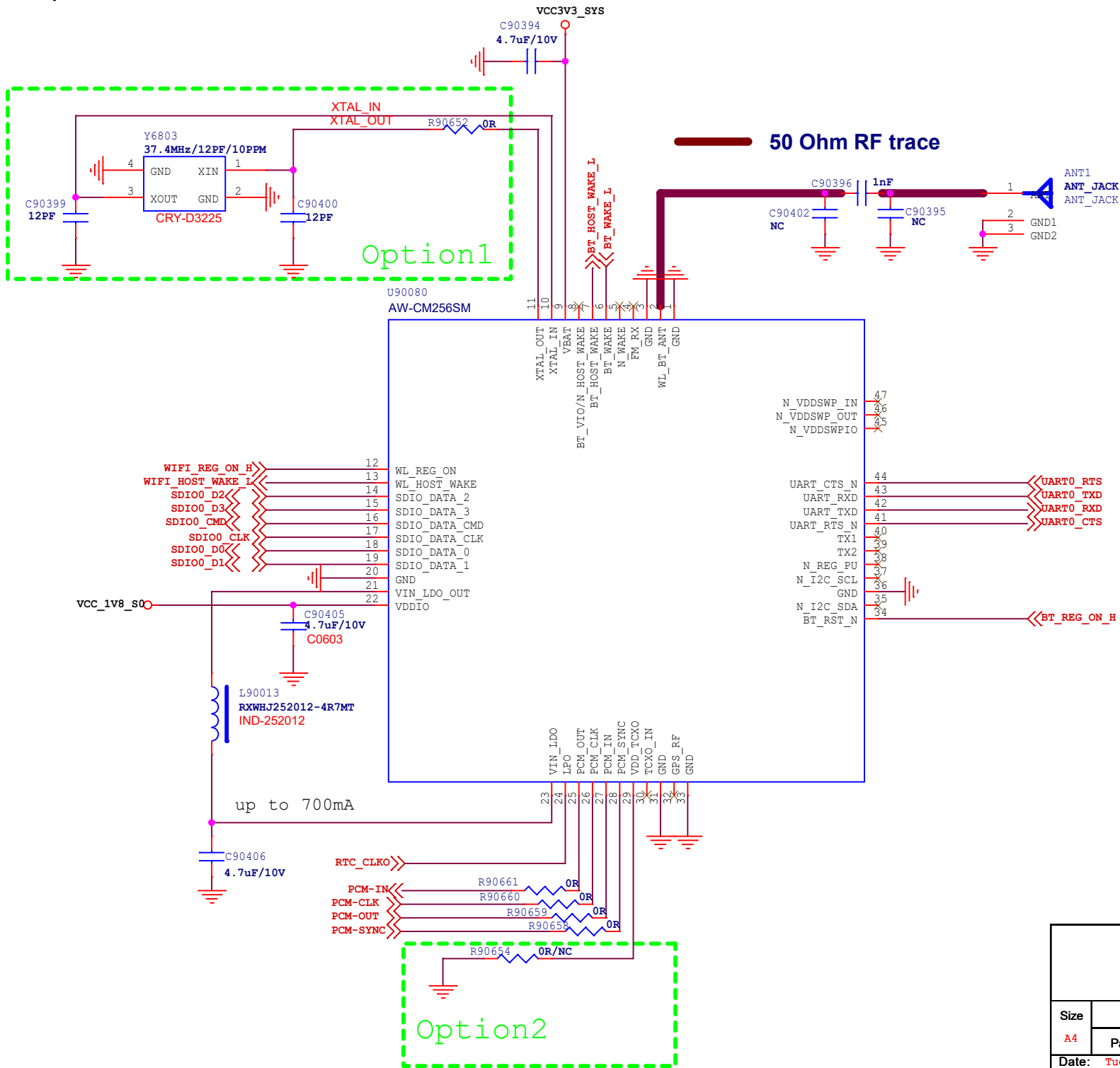


Size	Title: ROCK 4C+	REV
A4	Page Name: RK3399 PCIE	1.411
Date: Tuesday, November 29, 2022	Sheet 14 of 25	



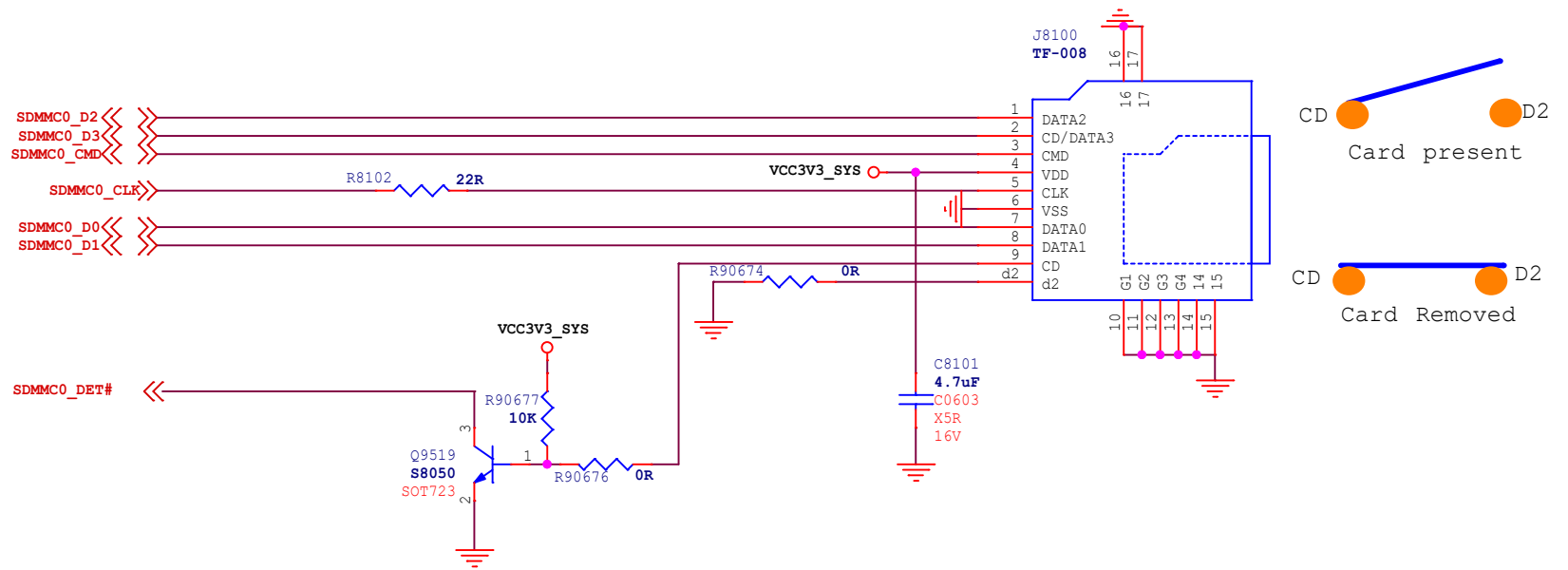
eMMC FLASH



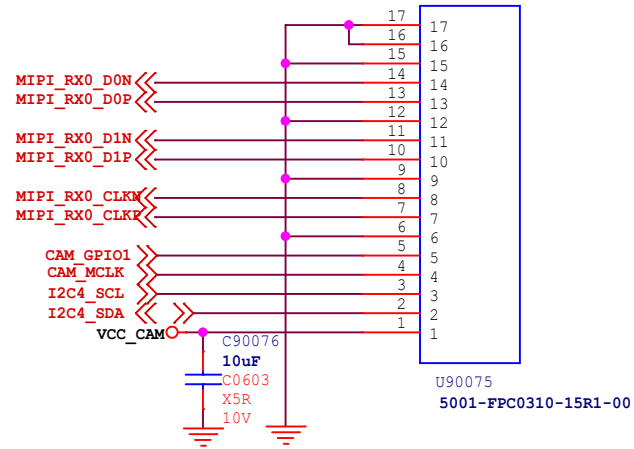


Size	Title: ROCK 4C+	REV
A4	Page Name: WIFI/BT MODULE	1.411
Date: Tuesday, November 29, 2022	Sheet 17 of 25	

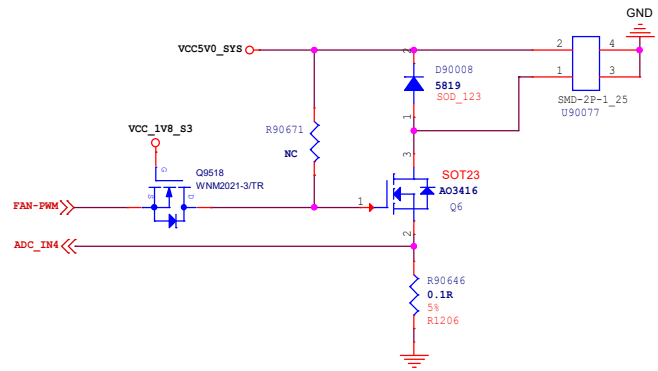
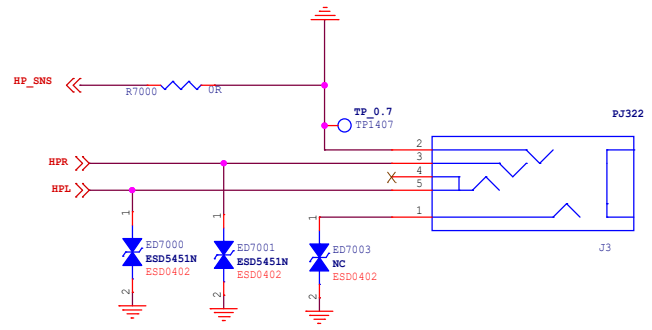
TF CARD

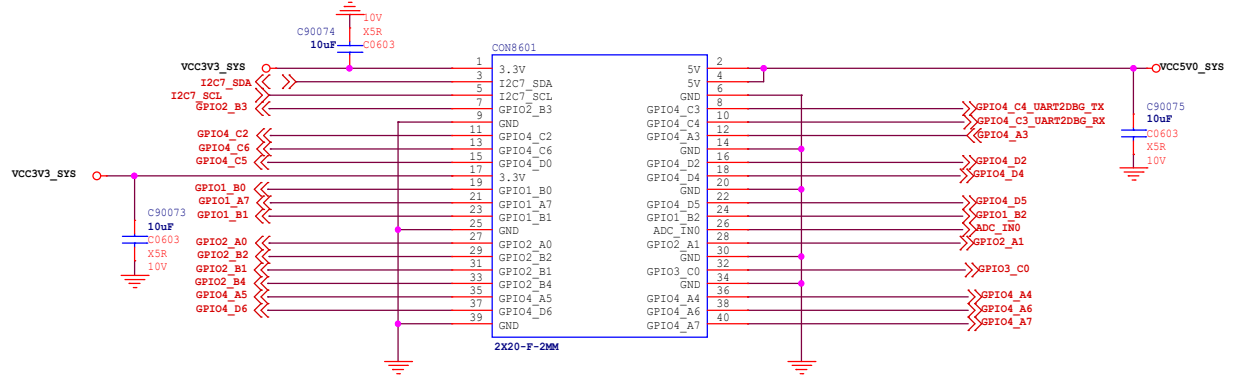
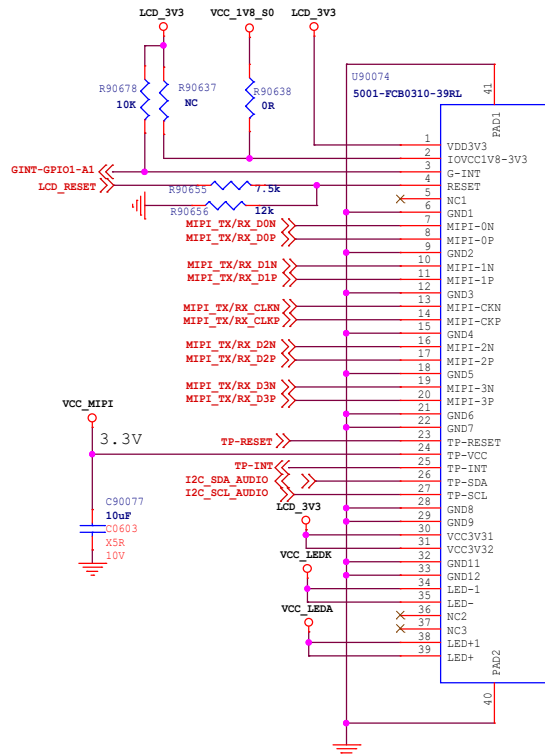


Size	Title: ROCK 4C+	REV
A4	Page Name: TF Card	1.411
Date: Tuesday, November 29, 2022 Sheet 18 of 25		

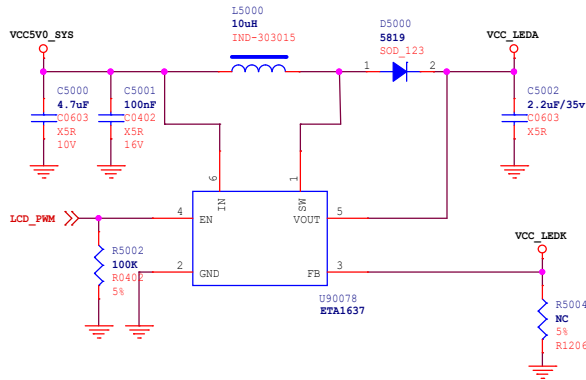


Size	Title: ROCK 4C+	REV
A4	Page Name: CAM	1.411
Date: Tuesday, November 29, 2022	Sheet 19 of 25	






LCD

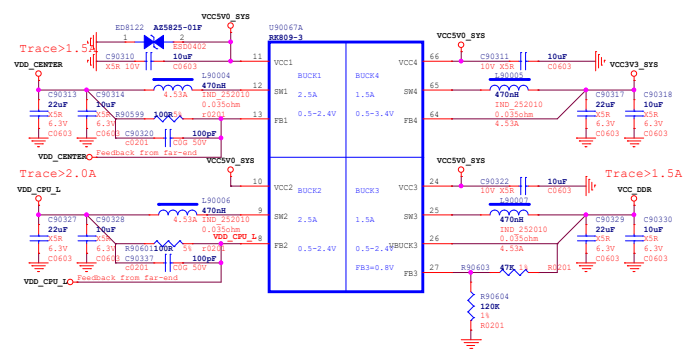


	RT9293B	ETA1637
R5004	2.2R	NC
OVF	20V	30V
L5000	10UH	10UH

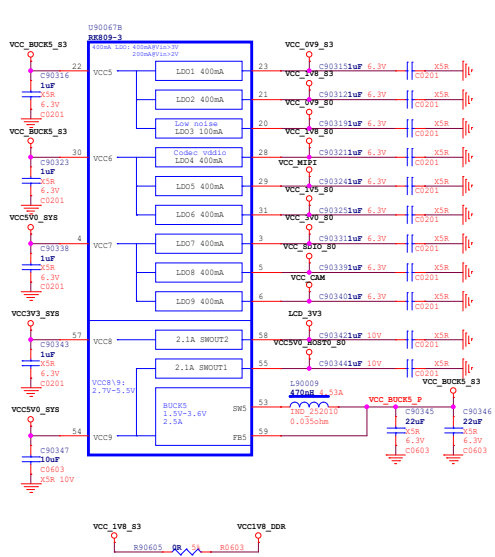


Size	Title: ROCK 4C+	REV
a3	Page Name: CONNECTOR	1.411
Date: Tuesday, November 29, 2022	Sheet 21 of 25	

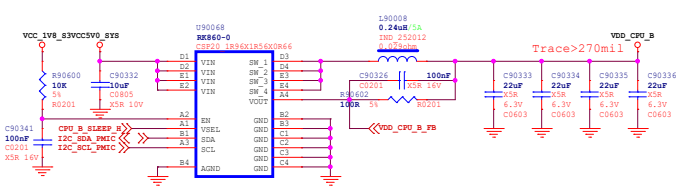
PMIC RK809-3 DCDC



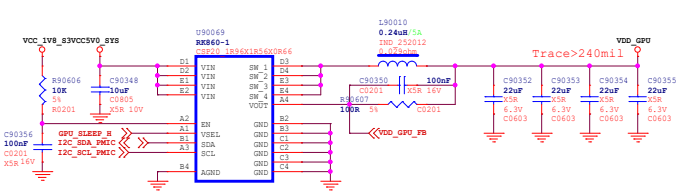
PMIC RK809-3 LDO



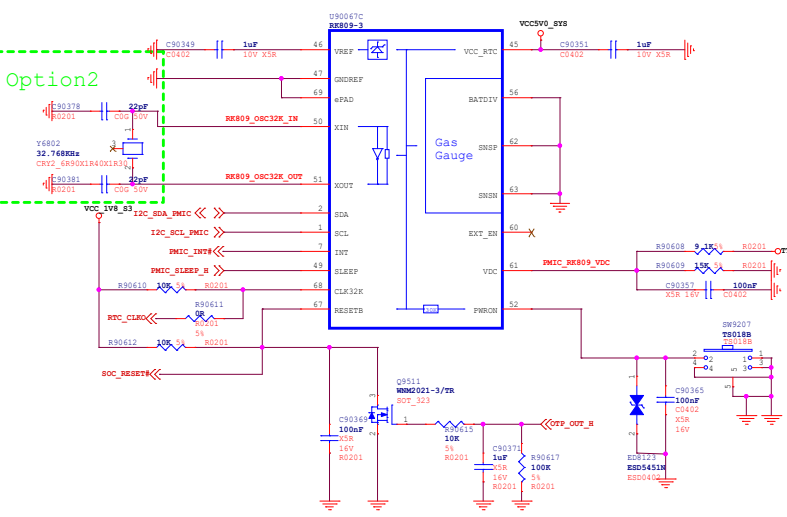
Power of VDD_CPU_B



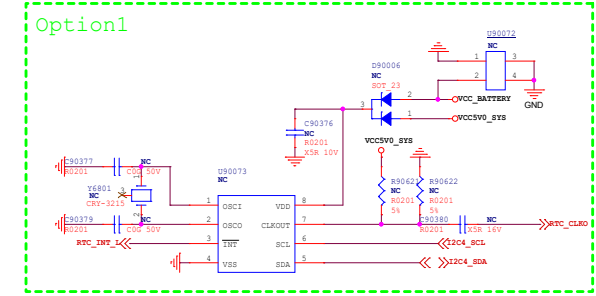
Power of VDD_GPU



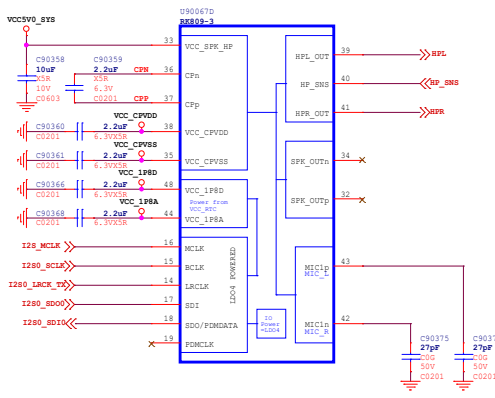
PMIC RK809-3 Manager



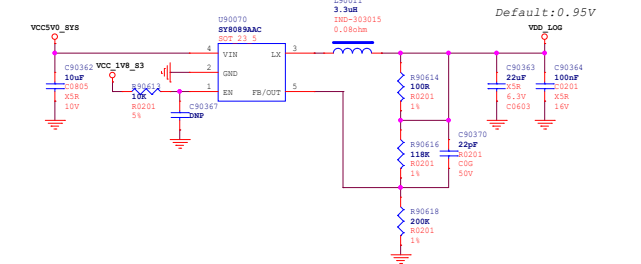
Choose one of the option 1 and option 2 :



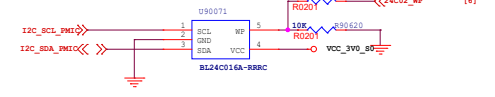
PMIC RK809-3 CODEC

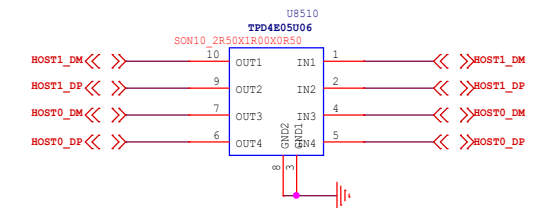
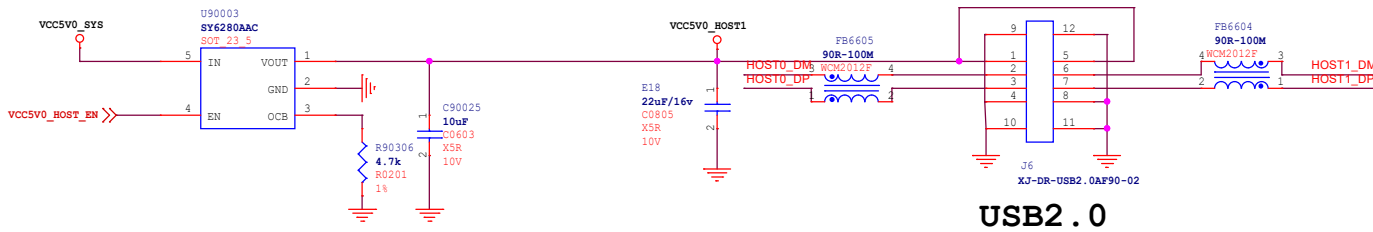
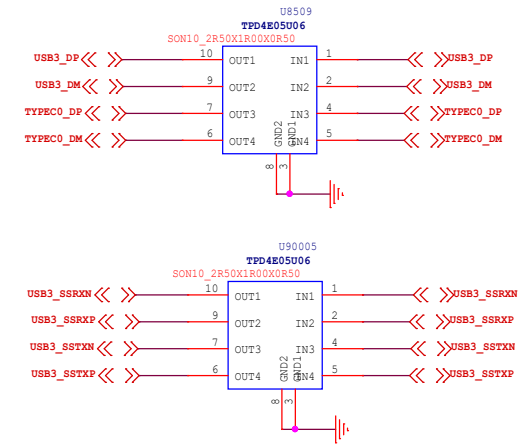
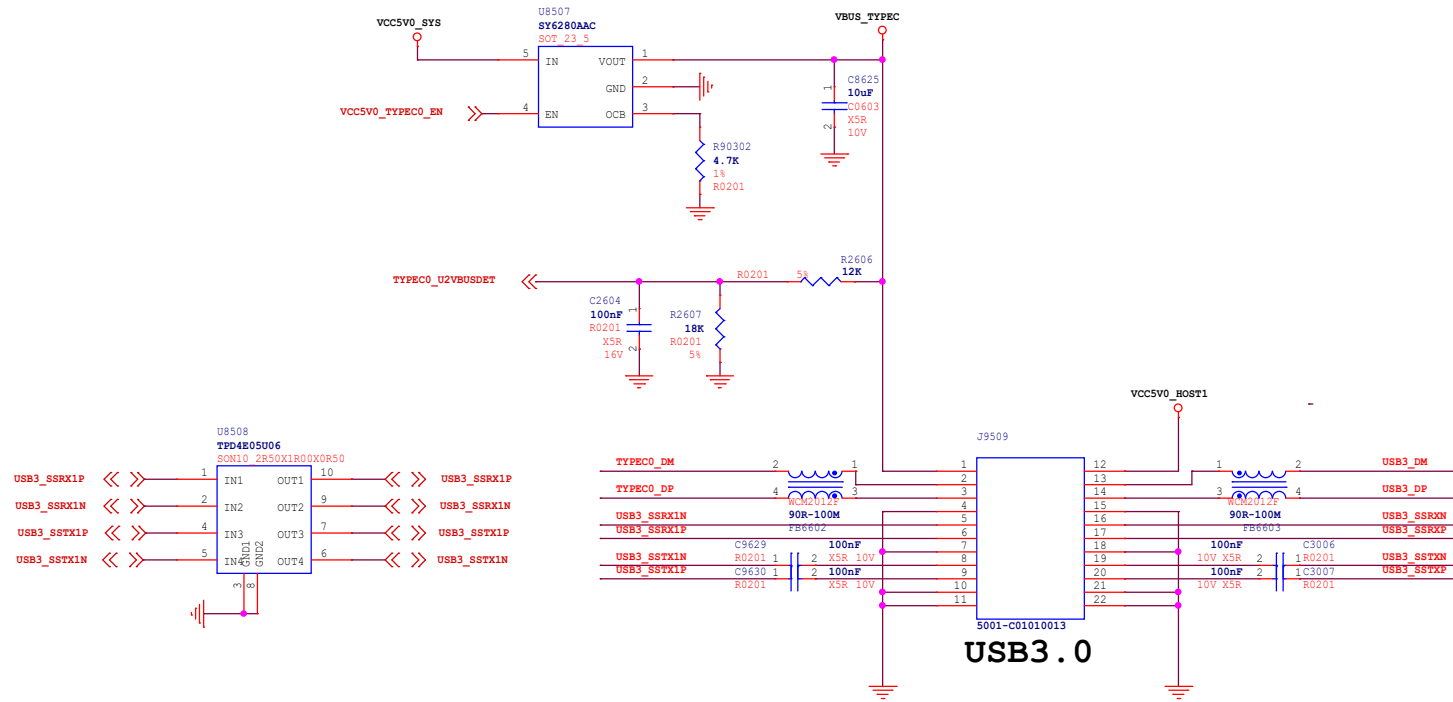


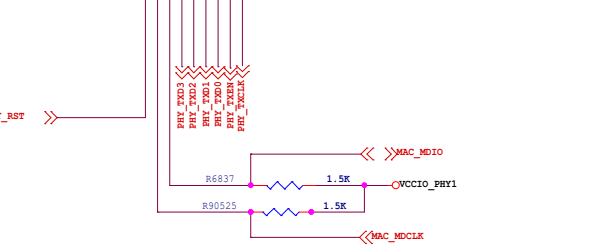
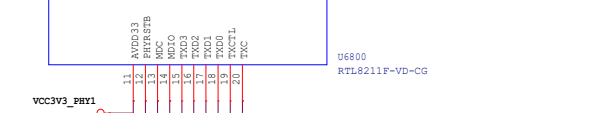
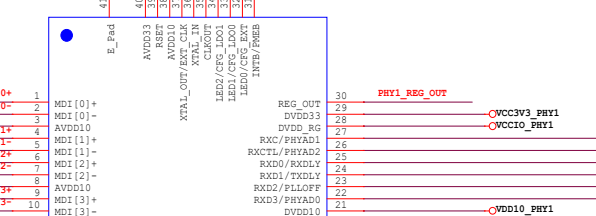
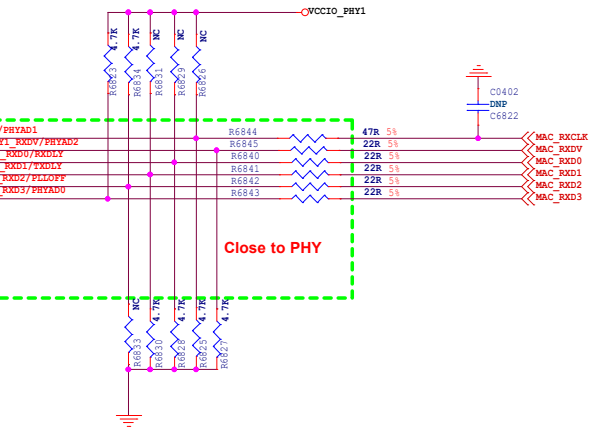
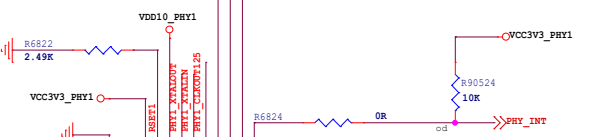
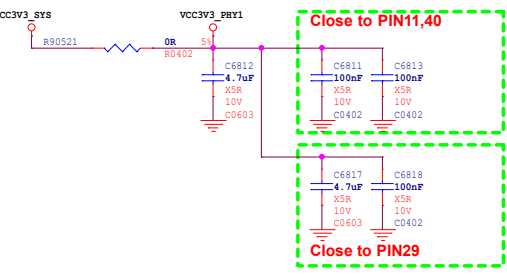
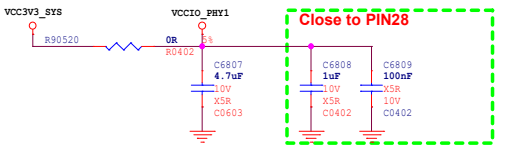
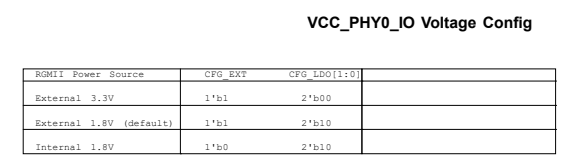
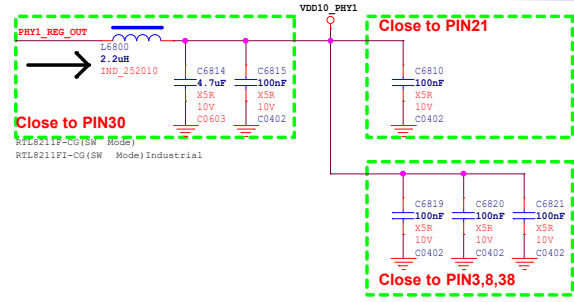
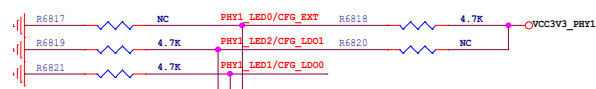
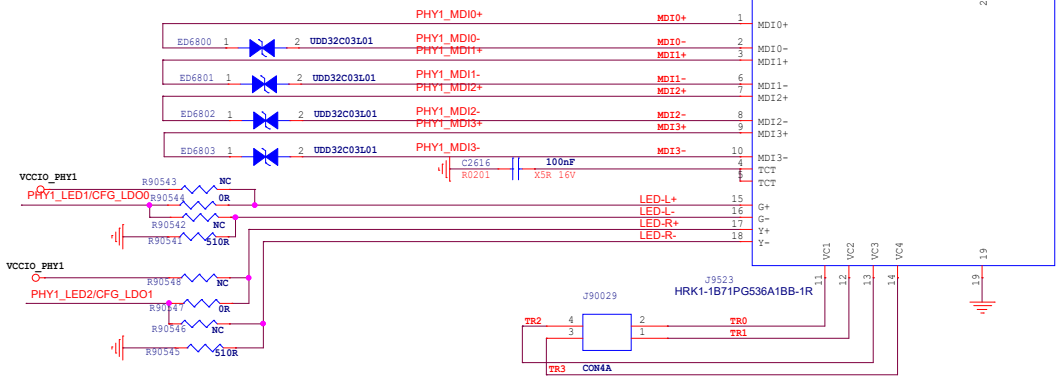
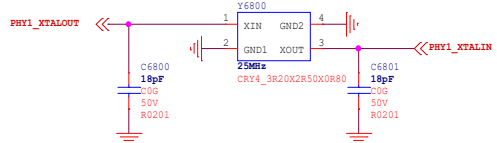
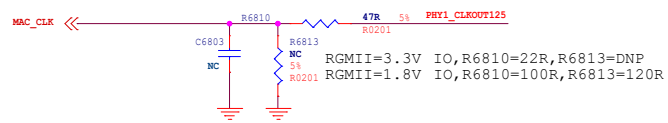
Power of VDD_LOG



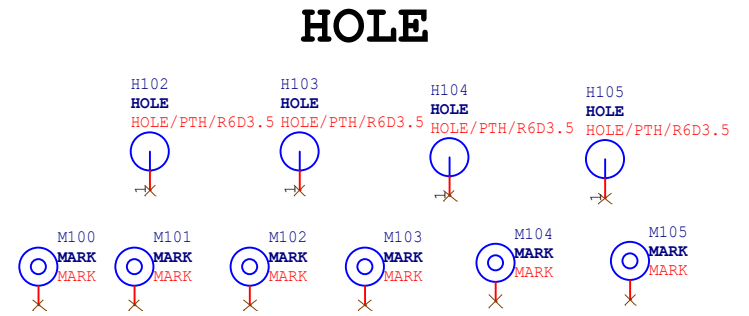
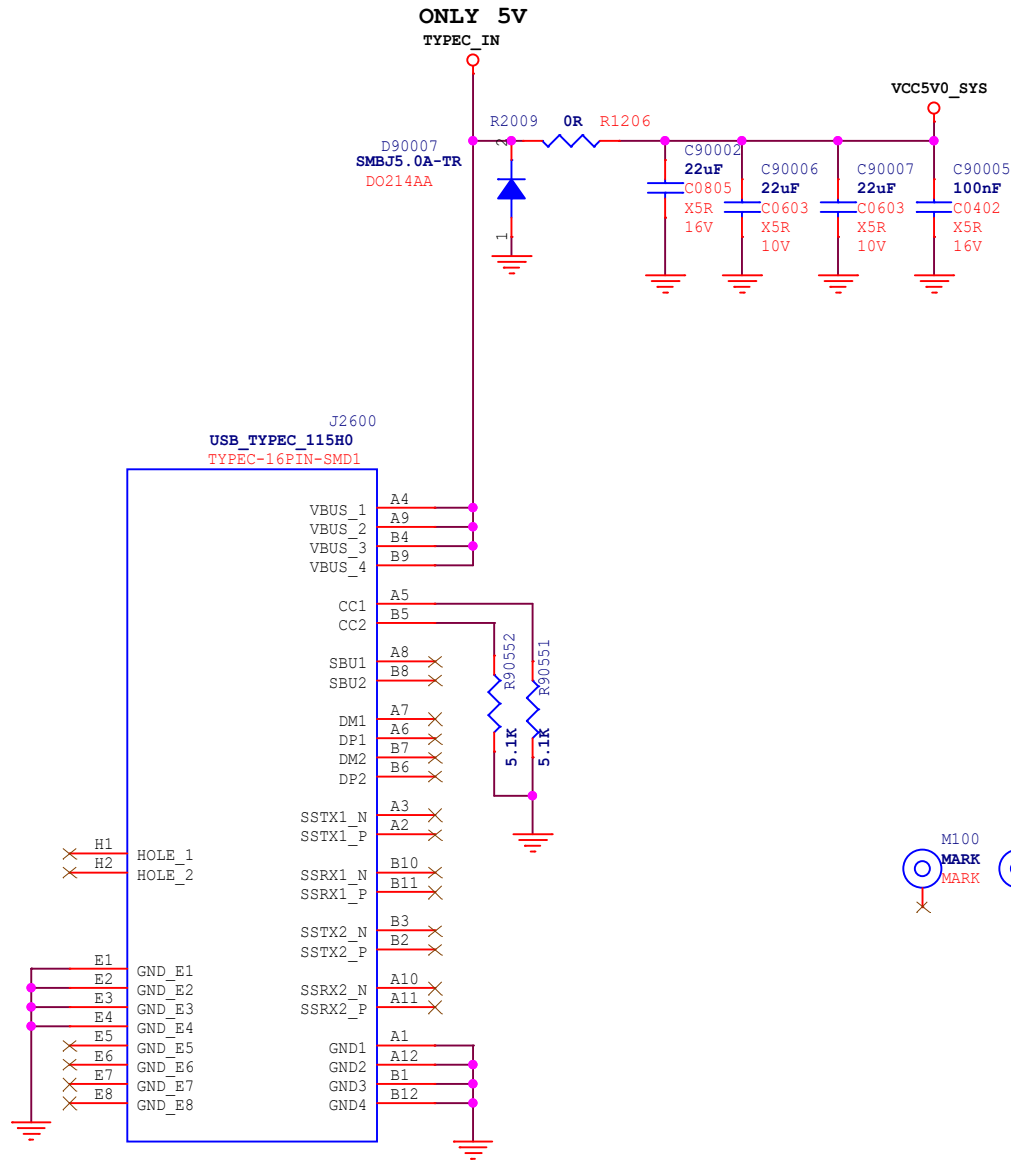
Mechine ID








DC IN&SYSTEM Power





Size	Title: ROCK 4C+	REV
A4	Page Name: Power TYEPC IN	1.411
Date: Tuesday, November 29, 2022		
Sheet 25 of 25		